

RELY ON US ALL YEAR 'ROUND



QUALITY REPLACEMENT PARTS
for Road & Highway Maintenance Equipment



PLOW

A photograph of a snow-covered surface, likely a road or driveway, with a white plow blade visible in the background.

SWEEP

A photograph of a dark asphalt road with two parallel yellow lines running down the center.

MOW

A photograph of a close-up view of green grass blades.

LEAF

A photograph of a pile of fallen autumn leaves in various colors including orange, yellow, and red.

CALL: 800.543.6161 • FAX: 937.596.5433 • EMAIL: sales@lacal.com
CAGE CODE: 3QTA4 • VOLUME: 20



Since 1982

901 WEST PIKE STREET / PO BOX 757
JACKSON CENTER, OH 45334
www.LACAL.com

PLOW • SWEEP • MOW • LEAF

WHAT LACAL OFFERS YOU:

- Competitive Pricing on Quality Parts
- Over 17,000 Different Inventory Parts On-Hand
- Courteous Knowledgeable Sales Staff
- Convenient Ordering Hours (7:30am-5:00pm EST)
- Decades of Industry Experience – Continuous Operation Since 1982

WHAT DO I NEED WHEN I CALL?

1. **MAKE** of Your Machine
2. **MODEL** of Your Machine
3. **SERIAL NUMBER** of Your Machine
4. **PART NUMBER** You Need
5. **PART DESCRIPTION**

Buy Replacement Parts Direct from the Manufacturer and SAVE!

Call Toll-Free: (800) 543-6161 • Fax: (937) 596-5433

RETURN POLICY

► NO PRODUCT MAY BE RETURNED TO US FOR CREDIT WITHOUT OUR AUTHORIZATION ◀

1. All claims and/or adjustment requests must be made within 30 days after receipt of material. Contact your Sales Rep to initiate a return.
2. Return shipping is free of charge on any and all parts returned due to Lacal Equipment's error. Customer will pay return shipping on any and all parts returned due to Customer's error.
3. Restocking fees will be charged on non-stock items only. If Lacal regular stock items are being returned, there will be no restocking fee.
4. Special Order Parts are non-returnable. Lacal Equipment will advise its customers at time of quote and at time of order if any item is Special Order and non-returnable.

TERMS & CONDITIONS

We shall be excused and not be liable for delays in shipment caused by customer's request, labor troubles, shortages of materials, damage to plant, governmental regulations or other cause, similar or otherwise, beyond our control. All original equipment manufacturer's names, drawings, colors and part numbers are used for identification purposes only. We are in no way implying that any of our products are original equipment. All parts are guaranteed to meet with your approval.

PRODUCT WARRANTY: All products sold by Lacal Equipment, Inc. are warranted to be free of defects in material and workmanship for a period of 90 days, provided that the part is used in a normal and reasonable manner. The 90-day period commences from the date that the part is received by the end user. If the product should fail to conform to any warranty outlined herein, Buyers Remedy shall be limited to the replacement of the non-conforming products or parts thereof. Lacal Equipment shall not be liable for any damages, lost items, or other expenses that may result from defective parts, nor for the payment of any incidental or consequential damages including, but not limited to, personal injury or property damage.

RETURNS: NO PRODUCT MAY BE RETURNED TO US FOR CREDIT WITHOUT OUR AUTHORIZATION. All claims and/or adjustment requests must be made within 30 days after receipt of material. Merchandise manufactured or sold by us is limited to the purchase price of any merchandise proved defective, or at our option, to replacement of such merchandise upon its return to us after making a pro-rata charge for service rendered.

WORKPLACE COMPLIANCE: We hereby certify that these goods were produced in compliance with the Fair Labor Standards Act as amended and with the rules and regulations and order issued thereunder. We hereby certify that Lacal Equipment, Inc. is an Equal Opportunity Employer in compliance with executive order and rules and regulation and relevant orders of the Secretary of Labor or as otherwise provided by law.

All original equipment manufacturer's names, drawings, colors, and part numbers are used for identification purposes only, and we are in no way implying that any of our products are original equipment parts. All parts are guaranteed to meet with your approval.



LACAL EQUIPMENT PARTS CATALOG
VOLUME 20

TOLL-FREE 800.543.6161 • SALES@LACAL.COM • WWW.LACAL.COM

YOU CAN RELY ON LACAL ALL YEAR 'ROUND!

PLOW	SWEEP	SWEEP	MOW
Parts by Brand 4-10	Reconditioning..... 16-17	Assemblies..... 79-82	Land Pride.....91
Boss..... 4	Parts by Brand 18-73	Blower Housing	Mohawk..... 92
Coates 4	Allianz 18	& Impeller..... 79	Mono 92
Everest..... 4	Athey-Mobil 18	Dirt Hopper..... 79	Motrim..... 92-93
Fisher..... 4	Challenger 18	Pickup Head..... 80	Roanoke 94
Flink 4	Elgin 19-37	Elevator Frame..... 80	Schulte 94
Fontaine 4	FMC 38	Suction Nozzle 81	Servis-Rhino..... 94-95
Gledhill..... 5	Johnston/Global... 38-41	Guide Wheel	Sidewinder 95
Good Roads 6	Mobil..... 42-49	& Scissor Lift..... 81	Sunmaster..... 95
Henderson 7	Murphy 49	Gutter Brooms 82	Terrain King..... 95-97
Henke 7	Nitehawk 49	Curtain Sets 82	Tiger..... 98-100
Hi-Way..... 7	Schwarze..... 49-55	Brooms..... 83-85	Triumph 100
Meyer..... 7	Stewart Amos..... 56	MOW	Woods..... 100
Monroe 7	Sweeprite 56	Parts by Brand 86-100	Parts Specials..... 101
Root 7	Tennant 56	Alamo 86-88	Blade ID Chart..... 102
Swenson..... 8	Tymco 57-72	BMB..... 89	Replacement Tires..... 103
Torwel 8	Wayne..... 73	Bomford..... 89	LEAF
Valk 8	Wittke 73	Bush Hog..... 89-90	Parts by Brand ... 104-108
Viking..... 9	Parts Specials..... 74-78	Bush-Whacker..... 90	American Roads 104
Warren..... 9	Impellers..... 74	Caldwell 90	Giant Vac 104-105
Wausau 9	Curtain Sets 75	Chambers/CAP 90	ODB 105-108
Western..... 10	Elgin Conveyor Belts... 75	Diamond..... 90	Tarrant..... 108
Universal Parts..... 10	Dirt Hoppers..... 76	Edwards..... 91	Custom-Built
Spinners/Hubs/Motors 11	Pickup Heads..... 77	Hardee..... 91	Impeller Fans 109
Spreaders/Sanders 12-13	Carbide Drag Shoes ... 78	John Deere..... 91	Rubber Hose 110
Blades 14-15	Elevator Frames..... 78	King Kutter 91	Polyurethane Hose..... 111

HOW TO READ LACAL EQUIPMENT PARTS LISTINGS

Most of our Parts Numbers begin with an identifying prefix (at right) followed by the manufacturer's part number. There may be an additional designating code after the part number indicating a special variety of part or an assembly. All original manufacturer's names, drawings, colors and part numbers are used for identification purposes only. Our products are not original equipment parts.

LSSP = Lacal Spreader / Snow Plow

LS = Lacal Sweeper

LB = Lacal Broom

LM = Lacal Mower

LLC = Lacal Leaf Collector

GET MORE INFORMATION: CALL 800.543.6161 • EMAIL SALES@LACAL.COM

ALL PARTS ARE GUARANTEED TO MEET WITH YOUR APPROVAL. Lacal Equipment is in no way implying that any of our products are original equipment parts. All original equipment manufacturer's names, drawings, colors and part numbers are used for identification purposes only.



Hello – We're Lacal Equipment!

Lacal Equipment has been operating in the small town of Jackson Center, Ohio since 1982. What started out as a small building housing seven employees has now grown into a 100,000 square foot factory/research center with nearly 50 employees.

With the steady and consistent growth of our company, we have updated our engineering techniques with a FARO Arm, Solidworks, CNC machining centers, lathes, welding equipment and powder coating capabilities. Our continuous investment in new technologies along with our invaluable 38 years of industry knowledge helps you find the part you need to get your machine running again.

As both a manufacturer and direct supplier to you, Lacal offers high-quality parts with competitive pricing. Our skilled workforce, advanced technologies, decades of experience and low overhead combine to make Lacal Equipment well-recognized both domestically and abroad. We sell in all 50 states and over 10 foreign countries.

Lacal maintains all manufacturing, inventory and shipments from our single location at 901 West Pike Street in Jackson Center, Ohio. We keep ourselves grounded in small-town America where honesty, integrity and hard work is valued and appreciated. We hope you value and appreciate them too.

See what Lacal Equipment can do for YOU. Call toll-free 800.543.6161 and speak with a live person, fax us at 937.596.5433, or email us at sales@lactal.com for additional information. Browse our current flyers and special offers online at www.lactal.com.

To all our current customers, thank you for the last 38 years, and we hope to continue growing with you. If you're new to Lacal, we hope you'll join our thousands of satisfied customers and come see what you've been missing!

Lacal is a Manufacturer

Lacal Equipment is both a manufacturer and distributor of quality replacement parts for road and highway maintenance equipment used daily by cities, counties, states and individual contractors across the USA. In addition to our large 17,000+ part inventory, Lacal has access to almost all of the replacement parts used for highway maintenance equipment.

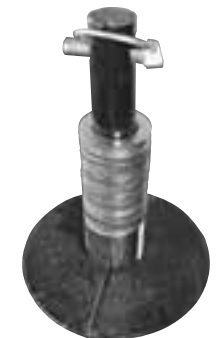
Our plant is equipped with a full complement of machine tools, enabling us to manufacture a wide variety of standard and special order parts. Lacal has its own welding shop and powder coat paint room, as well as an assembly area to allow us to offer our customers their choice of purchasing either individual parts or full complete assemblies. Using thousands of jigs, fixtures, gauges, tools and molds, Lacal produces top-quality parts. Our quality control program insures that premium specifications and standards are maintained.



GET MORE INFORMATION: CALL 800.543.6161 • EMAIL SALES@LACAL.COM

GET MORE INFORMATION: CALL 800.543.6161 • EMAIL SALES@LACAL.COM

This Is Just A Sample of Our Most Popular Parts • Additional Parts Available



LSSPMSC1570



LSSPH231



LSSP206062



LSSPAA413

BOSS

LSSPBAX00098	V-PLOW CUTTING EDGE
LSSPBAX00099	V-PLOW CUTTING EDGE
LSSPBAX08057	WING EXTENSION
LSSPHYD09731	HYDRAULIC CYLINDER
LSSPHYD01603	HYDRAULIC CYLINDER
LSSPHYD07013	HYDRAULIC CYLINDER
LSSPHYD08830	HYDRAULIC CYLINDER
LSSPHYD1633	SOLENOID
LSSPMSC01501	OUTER SKID SHOE
LSSPMSC01509	TRIP SPRING
LSSPMSC01517	SHOCK ABSORBER
LSSPMSC01570	CENTER SKID SHOE
LSSPMSC04086	ON-OFF JOYSTICK SWITCH
LSSPMSC04087	RAISE-LOWER JOYSTICK SWITCH
LSSPMSC07705	TRIP SPRING
RP1/2X6X108B	RETAINER PLATE, BOSS

PART NOT LISTED? LACAL EQUIPMENT HAS HUNDREDS OF ADDITIONAL BRAND-SPECIFIC AND UNIVERSAL PARTS AVAILABLE FOR YOUR SNOW PLOW. CALL 800.543.6161 TODAY!

COATES

LSSPAA413	TRIP SPRING
LSSPH231	SKID SHOE

EVEREST

LSSP13P0008	AXLE SHAFT
LSSP13P0013	CONVEYOR COUPLE AXLE SHAFT

FISHER

LSSP1301350	BOLT KIT
LSSP1301355	BOLT KIT
LSSP20320	SHAFT
LSSP26523	SKID SHOE

FISHER

LSSP29675	4 PC CUTTING EDGE KIT
LSSP29743	SHOE BRACKET WELDMENT
LSSP50697	BOLT BAG

FLINK

LSSP006977	SPROCKET
LSSP015460	AUGER
LSSP02000	MATERIAL CHUTE, UPPER SECTION
LSSP020017	DRAG CHAIN SHAFT WELDMENT
LSSP020024	IDLER SPROCKET ASSEMBLY
LSSP020413	MATERIAL CHUTE, UPPER WELD ASSEMBLY
LSSP020433	SPINNER HUB
LSSP021064	IDLER ROLLER WELD
LSSP021878	SPROCKET ASSY
LSSP021963	BOLT ANGLE WELD ASSEMBLY
LSSP030562	METAL SPINNER VEIN
LSSP203145	BLADE BACKER WELDMENT
LSSP204010	FRAME BRACE
LSSP204011	DIAGONAL BRACE
LSSP206062	SNOWPLOW SHOE
LSSP206267	SHOE CHAIN
LSSP420T	BEARING, 1" BORE, 2-BOLT
LSSP464PB	HYDRAULIC CYLINDER
LSSP612F	CASTER SHANK
LSSPAA28585	LOCKING NUT ASSEMBLY
LSSPAA8670	CASTER WHEEL W/AXLE

FONTAINE

LSSP22000711	TAKEUP ADJUSTER
LSSP22012303	SPINNER DISC, 18", CCW

BE SURE TO CHECK OUT OUR SELECTION OF PLOW BLADES BEGINNING ON PAGE 14 OF THIS CATALOG.

GET MORE INFORMATION: CALL 800.543.6161 • EMAIL SALES@LACAL.COM

This Is Just A Sample of Our Most Popular Parts • Additional Parts Available



LSSP351C



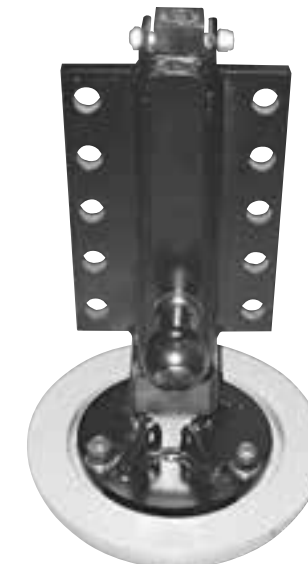
LSSP1947A



LSSP5750A



LSSP185H1



LSSP7230A11

GLEDHILL

LS1072837B	FLANGE
LSSP11284A	SPACER
LSSP11690B	BLADE BACKER ANGLE, 48"
LSSP12436DA	BLADE BACKER ANGLE, 10'
LSSP12614BC	HOLD DOWN WELDMENT
LSSP12648DB	TRIP EDGE WELDMENT
LSSP13080AC	RUBBER BUMPER STOP
LSSP13282C	BLADE SAVER
LSSP13464B	CONNECTING LINK
LSSP13466B	CONNECTING LINK
LSSP13688A	HITCH LIFT ARM CLEVIS PIN
LSSP14681A	SHOE POST
LSSP14791A	TRIP EDGE SPRING
LSSP15346A	PIN ASSEMBLY, 1-1/4" X 6-1/2"
LSSP17102DA	BLADE BACKER ANGLE, 11'
LSSP18121DA	BLADE BACKER ANGLE, 10'
LSSP18122DA	BLADE BACKER ANGLE, 11'
LSSP18125DA	BLADE BACKER ANGLE, 12'
LSSP18468A	HANDLE CRANK ASSEMBLY FAB
LSSP185H1	MUSHROOM SHOE
LSSP1947A	SHOE POST
LSSP1980D3	TRIP SPRING
LSSP2666D1SP	SKID SHOE, WELDED, 8 X 15
LSSP3261C	CASTER WHEEL, 10"
LSSP351C	CRANK W/KNOB
LSSP3546B	STANDARD MUSHROOM SHOE POST
LSSP3546BC	POST
LSSP3546BD	TAPPED BLOCK, 1-5 ACME, RH
LSSP4759A	ADJUSTING SCREW
LSSP4816A	CRANK BLOCK
LSSP4817A	CRANK HANDLE
LSSP5175A193	PIN, 1-15/16" X 26-1/4"
LSSP5175A55	PIN W/2 COTTERS

GLEDHILL

LSSP5175A55A	PIN W/O COTTERS
LSSP5308A114	BOLT & LOCKNUT
LSSP5308A245	BOLT ASSEMBLY, 1/2" X 3"
LSSP5308A35	BOLT KIT
LSSP5308A4	BOLT ASSEMBLY
LSSP5308A410	BOLT ASSEMBLY
LSSP5322A3	SHACKLE
LSSP5750A	STANDARD ADJUSTING SCREW
LSSP5937A1	BEARING ASSEMBLY
LSSP6511A1	RH CURB SHOE
LSSP6511A2	LH CURB SHOE
LSSP6611A	STANDARD SHOE POST HOUSING
LSSP6611AA	TUBE
LSSP6611AC	COLLAR
LSSP6611AD	MOUNTING PLATE
LSSP7230A11	STANDARD MUSHROOM SHOE AND POST ASSEMBLY
LSSP7230A11WOS	STANDARD ASSEMBLY W/O SHOE
LSSP7230A22	H.D. MUSHROOM SHOE AND POST ASSEMBLY
LSSP7230A22WOS	H.D. MUSHROOM ASSEMBLY W/O SHOE
LSSP7623A	H.D. SHOE POST HOUSING
LSSP7628A	H.D. ADJUSTING SCREW, 1-1/4"
LSSP7628AC	TAPPED BLOCK, 1 1/4-5 ACME, RH
LSSP8492BFAB	CASTER HOUSING, FABRICATED
LSSP9748A	H.D. MUSHROOM SHOE POST
LSSP9748AD	TAPPED BLOCK, 1 1/4-5 ACME, RH
LSSPP11455	4" X 20" DA RAM M/PR2
LSSP114-28-1	CYLINDER, 2-1/2" X 10"
LSSPP11472	RH WING PLOW CYLINDER
LSSPP11473	LH WING PLOW CYLINDER
LSSPP130581	MODIFIED JAM NUT
LSSPP1325	LIFT CHAIN ASSEMBLY
LSSPPD832	CYLINDER, 2-1/2" X 10"
LSSPPD937	CYLINDER, 3" X 10"

GET MORE INFORMATION: CALL 800.543.6161 • EMAIL SALES@LACAL.COM

This Is Just A Sample of Our Most Popular Parts • Additional Parts Available



LSSP62100239



LSSP62100295



LSSP62100288



LSSP62100281



LSSP62100387

GOOD ROADS

LSSP6210002L	NOSE PIECE
LSSP6210002R	SHOE
LSSP62100031	SWIVEL BLOCK
LSSP62100121	RIVET PIN, 3/4" X 3-1/2"
LSSP62100031	SWIVEL BLOCK
LSSP62100124	CASTER ASSEMBLY, COMPLETE
LSSP62100127	WHEEL ASSEMBLY, COMPLETE
LSSP62100131	OUTSIDE SPRING BOX SPRING
LSSP62100132	INSIDE SPRING BOX SPRING
LSSP62100133	SPRING BOX RECOIL SPRING
LSSP62100136	TENSION ROD WELDMENT
LSSP62100138	PLOW COUPLING
LSSP62100145	OUTSIDE TUBE WELDMENT
LSSP62100151	HANDLE
LSSP62100153	WHEEL SHAFT WELDMENT
LSSP62100156	CASTER ASSEMBLY SPRING
LSSP62100157	CASTER STEM WELDMENT
LSSP62100159	ADJUSTING BOLT
LSSP62100199	TRUNNION ASSEMBLY
LSSP62100200	TRUNNION BOSS WELDMENT, RH
LSSP62100201	TRUNNION BOSS WELDMENT, LH
LSSP62100204	INSIDE TUBE ASSEMBLY
LSSP62100214	RIVET PIN, 1" X 3"
LSSP62100216	RIVET PIN, 1-1/4" X 6"
LSSP62100239	SPRING BOX ASSEMBLY
LSSP62100240	RIVET PIN, 3/4" X 5"
LSSP62100241	LIFT CHAIN ASSEMBLY
LSSP62100242	LIFT RING WELDMENT
LSSP62100248	LH HINGE PLATE
LSSP62100249	RH HINGE PLATE
LSSP62100250	LH/RH HINGE PLATE

GOOD ROADS

LSSP62100276	BOLT BLOCK
LSSP62100281	LIFT ARM WELDMENT
LSSP62100288	ANGLE BOLT
LSSP62100289	CLAMP PIN WELDMENT
LSSP62100292	YOKE WELDMENT
LSSP62100295	AXLE HITCH WELDMENT
LSSP62100344	CYLINDER, 2" X 10"
LSSP62100383	SINGLE-ACTING CYLINDER, 2-1/2" X 10"
LSSP62100386	POST ASSEMBLY W/SKID SHOE
LSSP62100387	SHOE WELDMENT
LSSP62100728	PUSHFRAME ASSEMBLY, 42"
LSSP62100729	PUSHFRAME WELDMENT, 42"
LSSP62100744	LATCH SPRING ASSEMBLY
LSSP62100749	REAR CHANNEL WELDMENT
LSSP62101007	SINGLE-ACTING CYLINDER, 3" X 10"
LSSP62102064	JACK MODIFICATION
LSSP62102068	MOUNTING ANGLE
LSSP62103921	SKIRT
LSSP62103921WHD	SKIRT WELDMENT, H.D., 18-GAUGE
LSSP62106005	IDLER SHAFT WELDMENT
LSSP62107558	TAKE-UP PLATE WELDMENT
LSSP62107755	SIDE DEFLECTOR FLAP WELDMENT
LSSP62107768	DOOR WELDMENT
LSSP667X152076A	CHAIN ASSEMBLY, 22.50CC, .25" X 1.50"
LSSP667X8TH150	SPROCKET 667X8TH 1-1/2, 3/8KW
LSSP90690075	BEARING
LSSP95210489	FLANGE NUT
LSSP99806239	DOUBLE-ACTING CYLINDER, 3" X 10"

PART NOT LISTED? LACAL EQUIPMENT HAS HUNDREDS OF ADDITIONAL BRAND-SPECIFIC AND UNIVERSAL PARTS AVAILABLE FOR YOUR SNOW PLOW. CALL 800.543.6161 TODAY!

GET MORE INFORMATION: CALL 800.543.6161 • EMAIL SALES@LACAL.COM

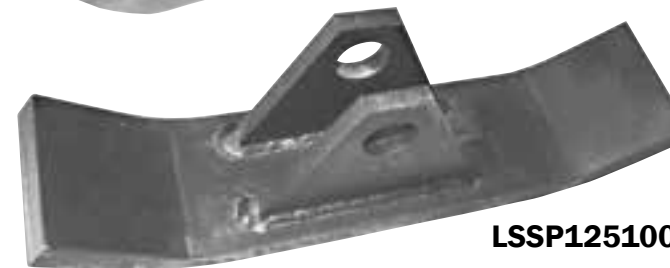
This Is Just A Sample of Our Most Popular Parts • Additional Parts Available



LSSP1990411



LSSP1990019



LSSP125100



LSSP1990041

HENDERSON

LSSP02386304	BOLT
LSSP02386304A	SCREW
LSSP110335	12" EXTENDED CHUTE ASSEMBLY
LSSP118405	REAR DRIVE SHAFT
LSSP1390088	SHAFT ROD
LSSP60797	SPINNER
LSSP61130	IDLER FRAME
LSSP75447	TOP HOLD DOWN CLAMP
LSSP76560409	NUT & WASHER
LSSP84573	IDLER SHAFT
LSSP86744	HUB
LSSPE3590	OUTPUT SHAFT

HENKE

LSSP13001560	EST SHAFT END
LSSP1990019	CRANK WELDMENT
LSSP1990041	ACME SCREW ASSEMBLY
LSSP1990062	YOKE ASSEMBLY, 4.80 X 8
LSSP1990376	OUTER TUBE WELDMENT
LSSP1990411	RUNNER 1X6 HI-TOP
LSSP2100A0246	INNER PUSH BEAM WELDMENT
LSSP43000037	LONG SPRING SHAFT
LSSP4390013	SPRING RETAIN PCL PLOW
LSSP4390015	LOCK ASSEMBLY, PCL PLOW
LSSP4390017	STAB BAR PIN PCL PLOW
LSSP4390042	A-FRAME OH LL
LSSP7140001	MUSHROOM SHOE, 2-BOLT
LSSPA2100A0258	OUTER TUBE WELDMENT

HI-WAY

LSSP11775	SPROCKET
LSSP22563	FLANGE BEARING
LSSP26651	SHAFT
LSSP26688	SPROCKET

HI-WAY

LSSP2696	SET COLLAR
LSSP6299	SHEAR PIN

MEYER

LSSP07006	SHOE RUNNER
LSSP08184	BOLT & NUT KIT, 9 EACH
LSSP08184G8	BOLT KIT, GRADE 8
LSSP08318	BOLT & NUT KIT, 12 EACH
LSSP08486	BOLT & NUT KIT, 6 EACH
LSSPM09916	BLADE MARKER (PAIR) YELLOW
RP1/2X4X096M	RETAINER PLATE, 96"
RP1/2X6X096M	RETAINER PLATE
RP3/8X5X078M	RETAINER, S "2 METER"
RP3/8X5X090M	RETAINER, S STANDARD

BE SURE TO CHECK OUT OUR SELECTION OF PLOW BLADES BEGINNING ON PAGE 14 OF THIS CATALOG.

MONROE

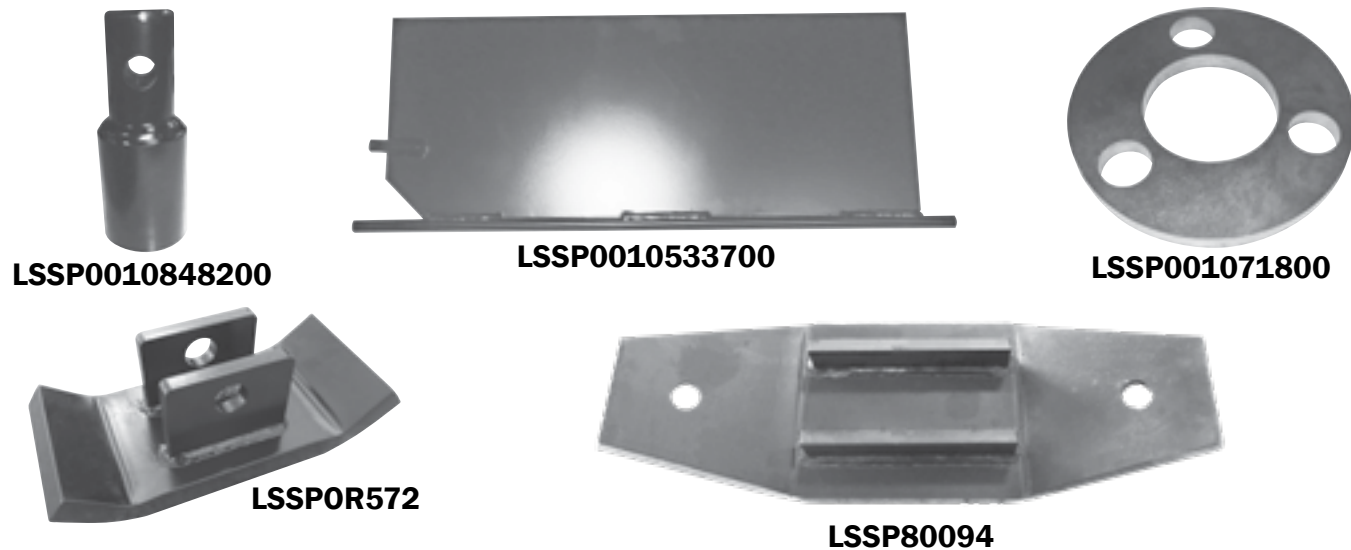
LSSP00041156A	STABILIZER ROD WELDMENT
LSSP00051021	ROD, ACME THD, JACK ASSEMBLY
LSSP00051203	ADJUSTMENT HANDLE WELDMENT
LSSP00052867	SKID SHOE W/JACK KIT PAIR
LSSP00146626	AUGER
LSSP5000003000	PLATE

ROOT

LSSP122000	CYLINDER MAIN ROD
LSSP12205	DOUBLE SPRING ROD
LSSP12225	SPRING RETAINER
LSSP12445	CASTER HOUSING WELDMENT
LSSP12500	AXLE SHAFT BOLT KIT
LSSP125100	SKID SHOE
LSSP12595	CASTER ASSEMBLY

GET MORE INFORMATION: CALL 800.543.6161 • EMAIL SALES@LACAL.COM

This Is Just A Sample of Our Most Popular Parts • Additional Parts Available



SWENSON

LSSP0010056900	FRONT-IDLER SHAFT
LSSP0010066700	IDLER SHAFT, 9TH SPRKT
LSSP0010156100	THREADED ROD
LSSP0010156100A	THREADED ROD
LSSP0010518100	CROSS CHANNEL
LSSP0010533700	BAFFLE WELDMENT
LSSP0010539400	ROD
LSSP0010539401	HINGE ROD, S.S.
LSSP0010602203	INVERTED 'V' WELDMENT
LSSP0010632100	INSERT, AUGER 2"
LSSP0010638100	EV SPINNER WELDMENT, S.S.
LSSP0010639300	BAFFLE WELDMENT, S.S.
LSSP0010718000	COUPLING FLANGE (EV100, -EV150)
LSSP0010825401	AUGER
LSSP0010848200	DIRECT DRIVE ADAPTER
LSSP0010848200A	HUB
LSSP0010848200B	SHAFT
LSSP0010894200	EXTENSION WELDMENT, S.S.
LSSP0010942801	BATTERY CASE WELDMENT, S.S.
LSSP0010944700	SPINNER DISK
LSSP0010963601	NOZZLE HOLDER, S.S.
LSSP0010963701	CHUTE SHIELD, S.S.
LSSP0010979400	SIDE PLATE 2-PIPE DETACH BRACKET
LSSP0011117700	AUGER WELDMENT
LSSP0011117700L	AUGER WELDMENT
LSSP0011129300	DRIVE SLEEVE
LSSP0011170800	ENGINE SHROUD WELDMENT, S.S.
LSSP0011185901	TOP SCREEN, 41.25" X 33.25"
LSSP0011186001	TOP SCREEN, 41.25" X 45.25"
LSSP0011585200	PUMP BOX LID
LSSP0011591700	CHANNEL
LSSP0011592401	PUMP MOUNT BRACKET, S.S.
LSSP0011594500	TOP SUPPORT WELDMENT
LSSP0011594703	ROD, STRAP, 135-GAL.

SWENSON

LSSP0011614304	TANK STOP ANGLE
LSSP0011776500	TANK PAN SPACER
LSSP0400800100	BUSHING
LSSP0403804101	COUPLER
LSSP0408600500	WIPER BLADE
LSSP0408601000	WIPER
LSSP0409102300	COMPRESSION SPRING
LSSP0410112500	HYDRAULIC MOTOR
LSSP0413200406	SPACER
LSSP0413206213	OUTPUT SHAFT
LSSP0413206315	OUTPUT SHAFT
LSSP0413206336	INPUT SHAFT
LSSP0600800000	18" SPINNER DISC
LSSP0601200300	SPINNER HUB
LSSP0602200300	DRIVE SPROCKET, 1-1/2"
LSSP0604300100	SPINNER-SHIELD, -RH /LH
LSSP0607000300	HINGE PIN
LSSP0953600000	PUMP SPACER

TORWEL

LSSPT13010524	IDLER SHAFT, 1" X 28"
LSSPT140102	CONVEYOR CHAIN

VALK

LSSP80094	FRONT SKID SHOE
LSSPBH2508	YOKE
LSSPKS572	SKID SHOE, 6" X 15", SPECIAL
LSSPOR527	CYLINDER ROD
LSSPOR540	CASTER WHEEL AXLE, 1" DIAMETER
LSSPOR572	SKID SHOE
LSSPPFPR672	COMPRESSION SPRING BOLT
LSSPPFPR676	BACK CHANNEL
LSSPQH1	QUICK ROD
LSSPR619	MOLDBOARD SHOE
LSSPVG11011	11' TRIP EDGE

GET MORE INFORMATION: CALL 800.543.6161 • EMAIL SALES@LACAL.COM

ALL PARTS ARE GUARANTEED TO MEET WITH YOUR APPROVAL. Lecal Equipment is in no way implying that any of our products are original equipment parts. All original equipment manufacturer's names, drawings, colors and part numbers are used for identification purposes only.

This Is Just A Sample of Our Most Popular Parts • Additional Parts Available



VIKING

LSSP001161	ADJUSTABLE SHOE BRACKET
LSSP002225	HANDLE ASSEMBLY
LSSP005730	OUTER TUBE WELDMENT
LSSP00800024	BRACKET
LSSP00800025	STRUT WELDMENT
LSSP008133	INNER TUBE WELDMENT
LSSP008135	ADJUSTING SCREW
LSSP10703007	FRONT MAST STD. HINGE, 5-DEG.
LSSP10715006	WING BOLT, 1-1/2" X 6"
LSSP11101003	TRIP SPRING ASSEMBLY, COMPLETE
LSSP11103015	CENTER BAR WELDMENT
LSSP11103016	LINK WELDMENT
LSSP11110013	STOP BLOCK
LSSP200179592	REVERSIBLE CURB SHOE
LSSP80010	PLOW SHOE
LSSP80590	THRUST BEARING

WARREN

LSSP20006117	SHAFT-IDLER
LSSP20016501	SPINNER COUPLER
LSSP2420A	AC-2420A-E/AC-2420A PAR
LSSP300300904	DRIVE SHAFT
LSSP70030074	AUGER

PART NOT LISTED? LACAL EQUIPMENT HAS HUNDREDS OF ADDITIONAL BRAND-SPECIFIC AND UNIVERSAL PARTS AVAILABLE FOR YOUR SNOW PLOW. CALL 800.543.6161 TODAY!

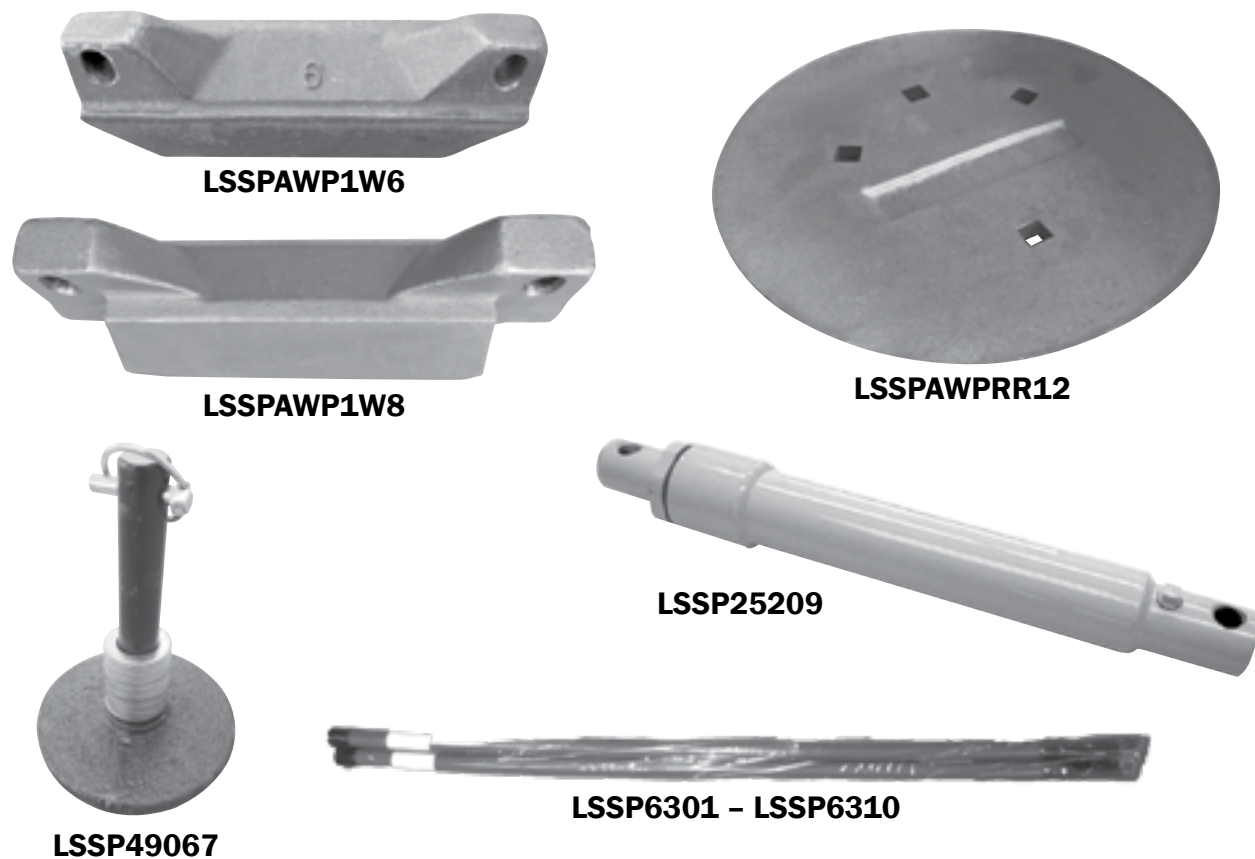
WAUSAU

LSSP2A00244	SKID SHOE & POST ASSY.
LSSP2A00251	ADJUSTER SCREW
LSSP2A00251A	THREADED ROD
LSSP2A00251B	THRUST COLLAR
LSSP2P00259	COMPRESSION SPRING
LSSP2P00262	PIVOT
LSSP2P00386	PIN
LSSP2W00212	PLOW SHOE W/O HARD-FACE
LSSP2W00212B	MOUNTING EAR
LSSP2W00212HS	PLOW SHOE W/HARD-FACE
LSSP2W00245	PIVOT CONNECTION
LSSP2W00250	HOUSING INNER TUBE
LSSP2W00254	HOUSING OUTER TUBE
LSSP2W00257	JAM NUT WELDMENT
LSSP2W05340	SKID SHOE
LSSP2W12756	TRIP EDGE WELDMENT, 10'
LSSP2W12918	TRIP EDGE WELDMENT, 11'
LSSP2W13506	BACK PLATE WELDMENT
LSSP2W13508	UPPER A-FRAME WELDMENT
LSSP2W13509	LOWER A-FRAME WELDMENT
LSSP2W14276	MOLDBOARD WELDMENT, 10'
LSSP2W14366	MOLDBOARD WELDMENT, 11'
LSSPW4W06409	LIFT ARM WELDMENT
LSSP29351	5/8" BOLT KIT

GET MORE INFORMATION: CALL 800.543.6161 • EMAIL SALES@LACAL.COM

ALL PARTS ARE GUARANTEED TO MEET WITH YOUR APPROVAL. Lecal Equipment is in no way implying that any of our products are original equipment parts. All original equipment manufacturer's names, drawings, colors and part numbers are used for identification purposes only.

This Is Just A Sample of Our Most Popular Parts • Additional Parts Available



LSSPAWP1W6

LSSPAWP1W8

LSSPAWPRR12

LSSP25209

LSSP6301 - LSSP6310

LSSP49067

WESTERN

LSSP23039	TRIP SPRING
LSSP25200	LIFT CYLINDER, 1-1/2" X 6"
LSS025209	OLD STYLE ANGLE, 1-1/2" X 10"
LSSP25210	LIFT CYLINDER, 2" X 6"
LSSP442851	CUTTING EDGE KIT
LSSP49067	STANDARD SKID SHOE ASSEMBLY
LSSP49071	H.D. SKID SHOE ASSEMBLY
LSSP49230	COIL W/SPADE TERMINAL
LSSP56058	MOTOR, 4-1/2"
LSSP56133	MOTOR, 4-1/2"
LSSP56709	DOUBLE-ACTING ANGLE, 2" X 10"
LSSP58734	PLOW LIFT ARM
LSSP60825	7.5' RUBBER CUTTING EDGE
LSSP62504	BOLT KIT
LSSP62504G8	BOLT KIT, H.D.
LSSP62556	RUBBER CUTTING EDGE, 9'
LSSP66812	PIVOT PIN KIT
LSSP67855	PIVOT BOLT KIT
LSSP90132	BLADE PIVOT KIT
LSSPW1524	BOLT KIT, 12 PCS.

UNIVERSAL

LSSP6301	POLY PLOW MARKERS W/O CABLE, 12"
LSSP6302	POLY PLOW MARKERS W/O CABLE, 24"
LSSP6303	POLY PLOW MARKERS W/O CABLE, 28"
LSSP6304	POLY PLOW MARKERS W/O CABLE, 36"
LSSP6305	POLY PLOW MARKERS W/O CABLE, 48"
LSSP6306	POLY PLOW MARKERS W/CABLE, 12"
LSSP6307	POLY PLOW MARKERS W/CABLE, 24"
LSSP6308	POLY PLOW MARKERS W/CABLE, 28"
LSSP6309	POLY PLOW MARKERS W/CABLE, 36"
LSSP6310	POLY PLOW MARKERS W/CABLE, 48"
LSSPAWP1W6	BLADE SAVER SHOE, 6"
LSSPAWP1W8	BLADE SAVER SHOE, 8"
LSSPAWP4V	SKID SHOE CASTING, 2" WIDE EAR
LSSPAWPRR12	MUSHROOM SHOE, 12" ROUND
LSSPB11PP0616	5/8" X 6" HD CURB SHOE
LSSPB11PP0617	5/8" X 8" HD CURB SHOE
LSSBP128100CL	LH 8" CURB GUARD
LSSBP128100CR	RH 8" CURB GUARD
LSSBP128100S	STRAIGHT CARBIDE GUARD, 8"

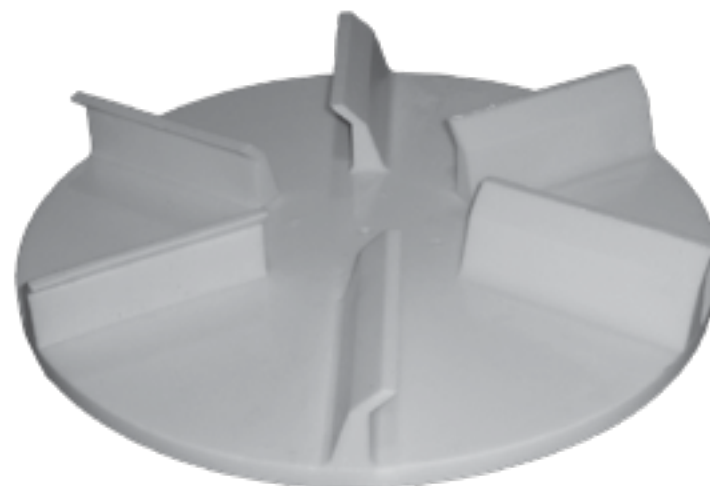
PART NOT LISTED? LACAL EQUIPMENT HAS HUNDREDS OF ADDITIONAL BRAND-SPECIFIC AND UNIVERSAL PARTS AVAILABLE FOR YOUR SNOW PLOW. CALL 800.543.6161 TODAY!

BE SURE TO CHECK OUT OUR SELECTION OF PLOW BLADES BEGINNING ON PAGE 14 OF THIS CATALOG.

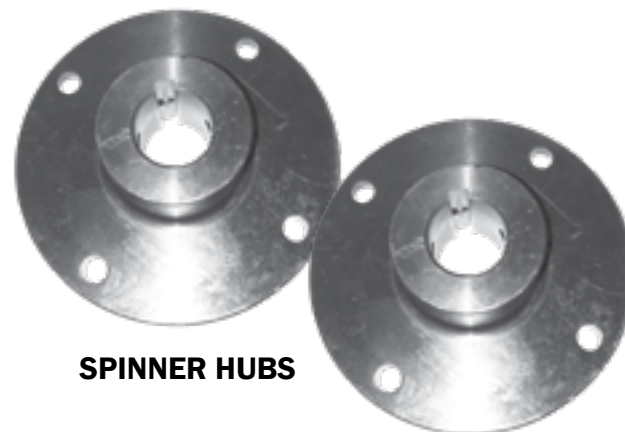
GET MORE INFORMATION: CALL 800.543.6161 • EMAIL SALES@LACAL.COM

ALL PARTS ARE GUARANTEED TO MEET WITH YOUR APPROVAL. LACAL Equipment is in no way implying that any of our products are original equipment parts. All original equipment manufacturer's names, drawings, colors and part numbers are used for identification purposes only.

This Is Just A Sample of Our Most Popular Parts • Additional Parts Available



POLYURETHANE SPINNERS



SPINNER HUBS

Spinners, Hubs & Motors

POLYURETHANE SPINNERS

LSSP12CW	12" CLOCKWISE
LSSP14CCW	14" COUNTER-CLOCKWISE
LSSP14CW	14" CLOCKWISE
LSSP14STR	14" STRAIGHT FIN
LSSP16CW	16" CLOCKWISE
LSSP18CCW	18" COUNTER-CLOCKWISE
LSSP18CW	18" CLOCKWISE
LSSP18STR	18" STRAIGHT FIN
LSSP20CCW	20" COUNTER-CLOCKWISE
LSSP20CW	20" CLOCKWISE
LSSP20STR	20" STRAIGHT FIN
LSSP22CCW	22" COUNTER-CLOCKWISE
LSSP22CW	22" CLOCKWISE
LSSP22STR	22" STRAIGHT FIN
LSSP24CCW	24" COUNTER-CLOCKWISE
LSSP24CW	24" CLOCKWISE
LSSP24STR	24" STRAIGHT FIN

SPINNER HUBS

LSSPHK18	SPINNER HUB WITH KEYWAY
LSSPHT18B	STANDARD HUB
LSSPHT18SP	SALT SPINNER HUB, SPECIAL
LSSPHT18SPB	HUB, SPECIAL
LSSPHU14	SPINNER HUB W/KEYWAY & THRU HOLE

HYDRAULIC SPINNER MOTORS

	MOUNT. FLANGE	SHAFT	PORT
LSSP1011001	4-BOLT	1" KEYED	1/2" NPTF*
LSSP1011003	4-BOLT	1" KEYED	1/2" NPTF*
LSSP1011004009	4-BOLT	1" KEYED	1/2" NPTF*
LSSP1011007	4-BOLT	1" KEYED	1/2" NPTF*
LSSP1011008009	4-BOLT	1" KEYED	1/2" NPTF*
LSSP1011009009	4-BOLT	1" KEYED	7/8-14 O-RING
LSSP1011011	4-BOLT	1" KEYED	7/8-14 O-RING

	MOUNT. FLANGE	SHAFT	PORT
LSSP1011025	2-BOLT	1" KEYED	1/2" NPTF*
LSSP1011032	2-BOLT	1" KEYED	1/2" NPTF*
LSSP1011033	2-BOLT	1" KEYED	7/8-14 O-RING
LSSP1011034	2-BOLT	1" KEYED	7/8-14 O-RING
LSSP1011313	4-BOLT	1" W/CROSS HOLE	1/2" NPTF*
LSSP1011314	4-BOLT	1" W/CROSS HOLE	1/2" NPTF*

*NPTF = National Pipe Taper Fuel (Dryseal)



LSSP1011313



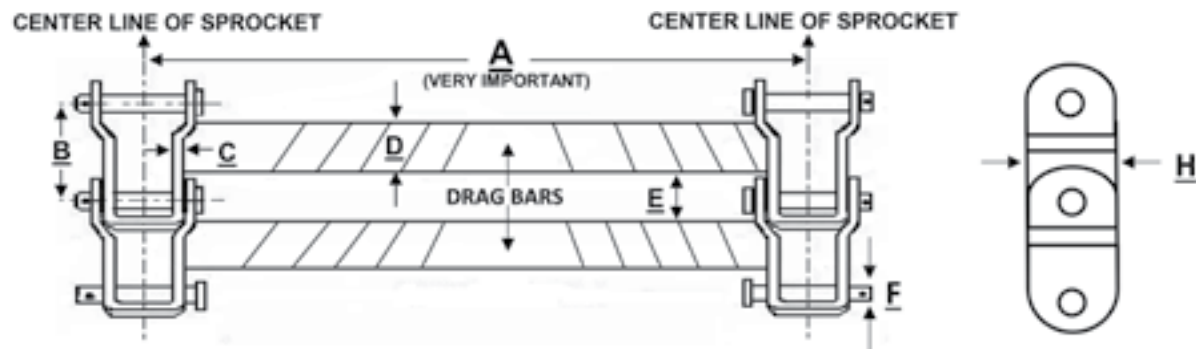
LSSP1011001

GET MORE INFORMATION: CALL 800.543.6161 • EMAIL SALES@LACAL.COM

ALL PARTS ARE GUARANTEED TO MEET WITH YOUR APPROVAL. LACAL Equipment is in no way implying that any of our products are original equipment parts. All original equipment manufacturer's names, drawings, colors and part numbers are used for identification purposes only.

This Is Just A Sample of Our Most Popular Parts • Additional Parts Available

SPREADER CHAIN SPECIFICATIONS WORKSHEET



(A) SPROCKET - FROM CENTER LINE TO CENTER LINE = _____ (in inches)

(B, C & H) CHAIN SIZE (see table below) = _____
(may be stamped on side of chain)

PINTLE CHAIN SIZES (see diagram above)					
(B) PITCH PIN CENTER-TO-CENTER	(C) THICKNESS OF LINK	(H) LINK HEIGHT	(F) PIN DIAMETER	CHAIN SIZE	AVERAGE TENSILE STRENGTH
1.664	0.125	0.72	0.281	662	8,500 LBS
2.313	0.125	0.975	0.312	667H	9,500 LBS
2.250	0.172	0.937	0.437	667X	15,000 LBS
2.250	0.200	1.060	0.437	667K	20,000 LBS
2.250	0.224	1.062	0.469	667XH	26,000 LBS
2.609	0.200	1.060	0.437	88K	20,000 LBS
2.609	0.250	1.125		88XH	30,000 LBS

TOTAL LENGTH OF CHAIN (in feet) = _____ (OR) TOTAL # OF PITCHES = _____

BAR THICKNESS (circle one) = 1/4" (.25") OR 3/8" (.375") (D) BAR WIDTH = _____

(E) DISTANCE BETWEEN BARS (edge to edge) = _____

BAR SPACING (circle one): EVERY LINK - EVERY OTHER LINK - EVERY THIRD LINK

OTHER:

MAKE OF SPREADER (OPTIONAL) = _____
(USED FOR IDENTIFICATION PURPOSES ONLY)

MODEL OF SPREADER (OPTIONAL) = _____
(USED FOR IDENTIFICATION PURPOSES ONLY)

OEM CHAIN PART # (OPTIONAL) = _____
(USED FOR IDENTIFICATION PURPOSES ONLY)

Submitted By: _____
NAME PRINTED SIGNATURE CONTACT PHONE



Transmit this worksheet to Lacal Equipment via fax/email or simply call our sales representatives to make sure the spreader chain you order is the exact one you need.

LACAL PART NUMBER: _____

GET MORE INFORMATION: CALL 800.543.6161 • EMAIL SALES@LACAL.COM

ALL PARTS ARE GUARANTEED TO MEET WITH YOUR APPROVAL. Lacal Equipment is in no way implying that any of our products are original equipment parts. All original equipment manufacturer's names, drawings, colors and part numbers are used for identification purposes only.

This Is Just A Sample of Our Most Popular Parts • Additional Parts Available

SPREADER CHAIN: MADE TO ORDER



DOUBLE WELDED TOP & BOTTOM BARS

to provide a much stronger chain.

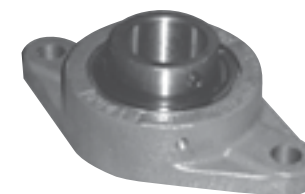
Available in standard sizes (88K, 667H, 667X and 667XH) as well as custom sizes.

See our "Spreader Chain Worksheet" on page 12, then call for more information.

1.800.543.6161



LSSP020017



LSSP0408000400



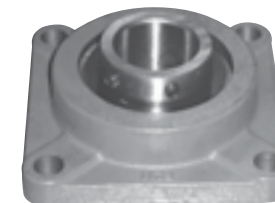
LSSP006977



LSSP70030074



LSSP020024



LSSP0408005900

Spreaders & Sanders

FLINK

LSSP006977	SPROCKET
LSSP020017	DRAG CHAIN SHAFT WELDMENT
LSSP020024	IDLER SPROCKET ASSEMBLY
LSSP420T	BEARING, 1" BORE, 2-BOLT
LSSP421S4	BEARING, 1-1/8", 4-BOLT
LSSP421X	FLANGE BEARING W/ COLLAR

MONROE

LSSP05030007	BEARING
LSSP05033003	SPROCKET, 1-1/2" BORE

SWENSON

LSSP0408000400	FLANGE BEARING, 1-1/2", 2-BOLT
LSSP0408000500	BEARING, 1-1/4"
LSSP0408005900	BEARING, 2", 4-BOLT
LSSP0408007900	BEARING, 1" TAP BASE

WARREN

LSSP70030074	AUGER
--------------	-------

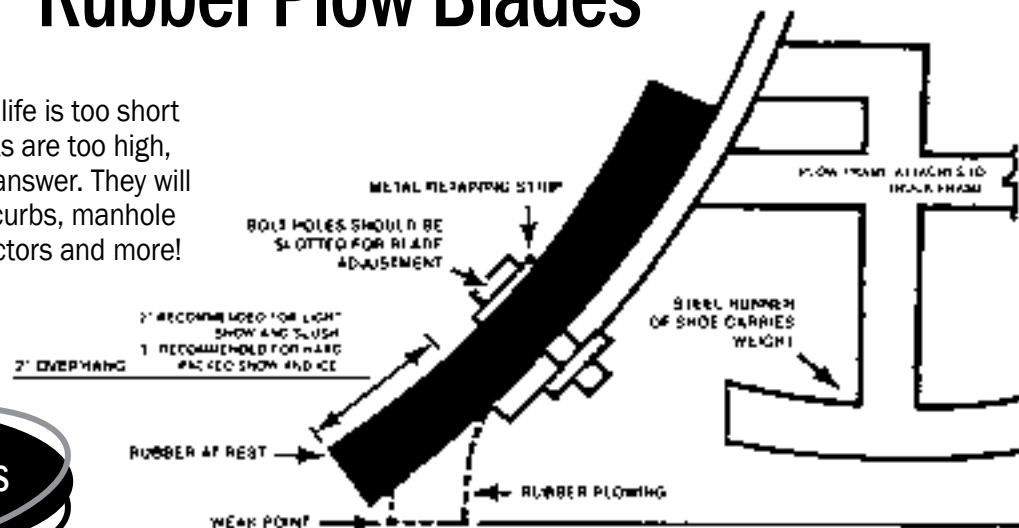
GET MORE INFORMATION: CALL 800.543.6161 • EMAIL SALES@LACAL.COM

ALL PARTS ARE GUARANTEED TO MEET WITH YOUR APPROVAL. Lacal Equipment is in no way implying that any of our products are original equipment parts. All original equipment manufacturer's names, drawings, colors and part numbers are used for identification purposes only.

This Is Just A Sample of Our Most Popular Parts • Additional Parts Available

Rubber Plow Blades

Whenever steel plow blade life is too short or blade maintenance costs are too high, rubber blades are the ideal answer. They will not damage brick streets, curbs, manhole covers, speed bumps, reflectors and more!



**WE ALSO HAVE
RETAINING STRIPS
& HARDWARE**

SIZES:

Rubber Blades are stocked in the following standard sizes: 1" x 6", 1.5" x 8", 1.5" x 10" and 1.5" x 12". Blade width selection is based on equipment and operating conditions. The following guidelines may be used to determine blade width: "V" plows, 12" width; front-mounted plows, 10" width; underbody-mounted plows and graders, 8" width.

LENGTHS:

Blade orders will be cut to length and slotted for mounting according to your exact specifications. Bulk rubber orders may be cut into desired lengths or remain uncut in stock 50-ft. lengths.

BOLT HOLES:

Mounting holes may be slotted or drilled. Slotting permits blade adjustment for maximum wear and service life. Drilling is preferred in applications where the blade is subject to an undue amount of pressure because of plow weight or abnormally high-crowned roads.

ADJUSTMENT:

We recommend that rubber plow blades be adjusted to the type of equipment on which they are installed. Front-mounted plows that ride on casters or shoes perform best with a 2" over-hang. We suggest a 1" extension beyond the moldboard for unsupported front-mounted, underbody-mounted plows and graders.

Pre-Punched Blades

with Standard Highway Punch*
In Stock & Ready to Ship for Sizes:

- 8" x 10' 10" x 10' 12" x 10'
- 8" x 11' 10" x 11' 12" x 11'

Special Order Blades

Cut and Punched to Your Specifications.
Special Punch Pattern Orders Ship in 1-2 Days.

Bulk Order Blades

We stock the following sizes:

- 1" x 6" • 1.5" x 8" • 1.5" x 10" • 1.5" x 12"

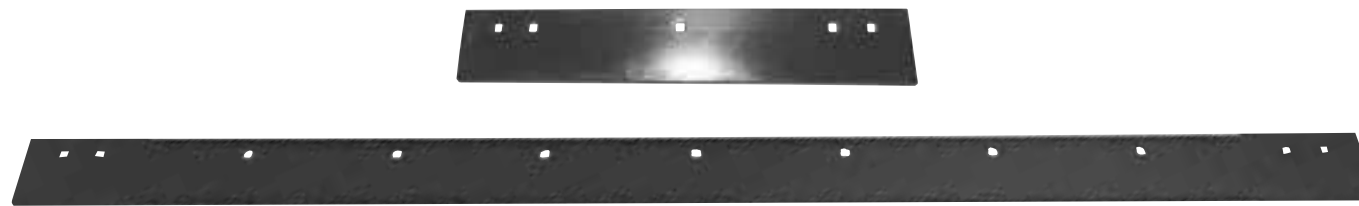


***Standard Highway Punch* refers to a 3/3/12 punch pattern. The blade will be punched 3" from each end, again 3" from the first end punch, and then every 12" inches across the blade. The photos on page 15 feature this pattern.*

GET MORE INFORMATION: CALL 800.543.6161 • EMAIL SALES@LACAL.COM

ALL PARTS ARE GUARANTEED TO MEET WITH YOUR APPROVAL. Local Equipment is in no way implying that any of our products are original equipment parts. All original equipment manufacturer's names, drawings, colors and part numbers are used for identification purposes only.

This Is Just A Sample of Our Most Popular Parts • Additional Parts Available



Metal Plow Blades

STEEL

(MEASUREMENTS SHOWN AS THICKNESS X WIDTH X LENGTH)

ITEM NUMBER	DESCRIPTION
LSSP44997	1/2" X 6" X 40-3/4"
SB1/2X6X090	1/2" X 6" X 90" WESTERN PRO PLUS (64775)
SB1/2X6X090FMT	1/2" X 6" X 90" MEYER
SB1/2X6X090FWT	1/2" X 6" X 90" WESTERN
SB1/2X6X096FMT	1/2" X 6" X 96" WESTERN PRO PLUS (63980)
SB1/2X6X096FMT	1/2" X 6" X 96" MEYER
SB1/2X6X096FWT	1/2" X 6" X 96" WESTERN
SB1/2X6X102	1/2" X 6" X 102" WESTERN PRO PLUS (63985)
SB1/2X6X102FMT	1/2" X 6" X 102" MEYER
SB1/2X6X102FWT	1/2" X 6" X 102" WESTERN
SB1/2X6X108	1/2" X 6" X 108" WESTERN PRO PLUS (63990)
SB1/2X6X108FST	1/2" X 6" X 108" SINGLE EDGE, STD. HWY. PUNCH*
SB1/2X6X120FST	1/2" X 6" X 120" SINGLE EDGE, STD. HWY. PUNCH*
SB1/2X6X132FST	1/2" X 6" X 132" SINGLE EDGE, STD. HWY. PUNCH*

STEEL

(MEASUREMENTS SHOWN AS THICKNESS X WIDTH X LENGTH)

ITEM NUMBER	DESCRIPTION
SB5/5X6X108FST	5/8" X 6" X 108" SINGLE EDGE, STD. HWY. PUNCH*
SB5/8X6X120FST	5/8" X 6" X 120" SINGLE EDGE, STD. HWY. PUNCH*
SB5/8X6X132FST	5/8" X 6" X 132" SINGLE EDGE, STD. HWY. PUNCH*
SB5/8X6X144FST	5/8" X 6" X 144" SINGLE EDGE, STD. HWY. PUNCH*
SB5/8X8X108FST	5/8" X 8" X 108" SINGLE EDGE, STD. HWY. PUNCH*
SB5/8X8X120FST	5/8" X 8" X 120" SINGLE EDGE, STD. HWY. PUNCH*
SB5/8X8X132FST	5/8" X 8" X 132" SINGLE EDGE, STD. HWY. PUNCH*
SB5/8X8X144FST	5/8" X 8" X 144" SINGLE EDGE, STD. HWY. PUNCH*

CARBIDE

(MEASUREMENTS SHOWN AS THICKNESS X WIDTH X LENGTH)

ITEM NUMBER	DESCRIPTION
CB3/4X6X036FSTC	3/4" X 6" X 36" SINGLE EDGE, STD. HWY. PUNCH*
CB3/4X6X048FSTC	3/4" X 6" X 48" SINGLE EDGE, STD. HWY. PUNCH*

***Standard Highway Punch* refers to a 3/3/12 punch pattern. The blade will be punched 3" from each end, again 3" from the first end punch, and then every 12" inches across the blade. The photos on page 15 feature this pattern.*

BLADE SIZE NOT LISTED? CALL 800.543.6161 TODAY!
LACAL EQUIPMENT HAS MANY OTHER SIZES AND PUNCH PATTERNS
AVAILABLE FOR YOUR SNOW PLOW.



Polyurethane Plow Blades

AVAILABLE IN A LARGE VARIETY OF SIZES.
WE'LL PUNCH THE BLADES IN-HOUSE TO YOUR SPECIFICATIONS.

**WE ALSO HAVE
RETAINING STRIPS
& HARDWARE**

Protect the surface you're clearing with Polyurethane Blades. These blades are ultra-flexible – even at temperatures below zero! They are gentle on road surfaces like cobblestone, brick, pavers, curbs, speed bumps and more; yet tough enough to outlast both rubber and steel plow blades.

GET MORE INFORMATION: CALL 800.543.6161 • EMAIL SALES@LACAL.COM

ALL PARTS ARE GUARANTEED TO MEET WITH YOUR APPROVAL. Local Equipment is in no way implying that any of our products are original equipment parts. All original equipment manufacturer's names, drawings, colors and part numbers are used for identification purposes only.

This Is Just A Sample of Our Most Popular Parts • Additional Parts Available



Breathe New Life into Your Sweeper with our
RECONDITIONING SERVICES

In addition to being an aftermarket manufacturer of high-quality replacement parts for street sweepers, we have become an industry leader in reconditioning all makes and models of street and parking lot sweepers for government entities and contractors alike. We have reconditioned many of the well-known brands including Elgin™, Johnston™, Mobil™, Schwarze™ and Tymco™ and others. Our modern facility is equipped with state-of-the-art engineering tools, machine and fab shops, powdercoat paint system and a knowledgeable parts department to handle those needs as well.

We can handle the small jobs from simply replacing a pickup head on a parking lot vacuum sweeper to a complete rebuild, taking your sweeper down to the bare frame and replacing or reconditioning components as needed. We have the skilled technicians and the technical data necessary to do a first-class job on your sweeper.



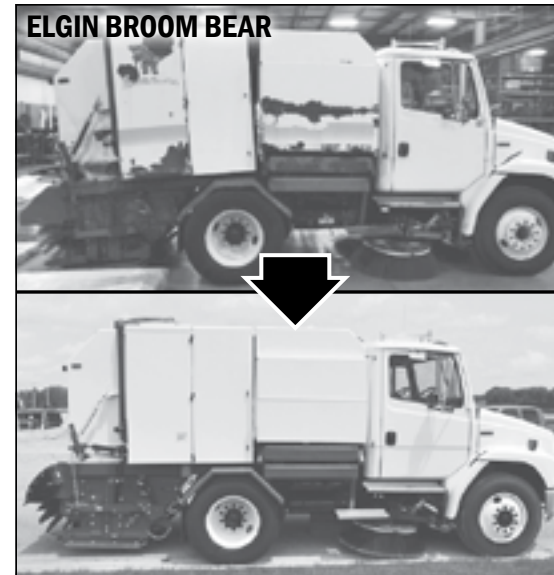
GET MORE INFORMATION: CALL 800.543.6161 • EMAIL SALES@LACAL.COM

ALL PARTS ARE GUARANTEED TO MEET WITH YOUR APPROVAL. Lacal Equipment is in no way implying that any of our products are original equipment parts. All original equipment manufacturer's names, drawings, colors and part numbers are used for identification purposes only.

This Is Just A Sample of Our Most Popular Parts • Additional Parts Available

RECONDITIONING SERVICES

HERE ARE JUST A FEW EXAMPLES OF OUR WORK. CONTACT US TODAY FOR MORE INFORMATION!



Completed sweeper reconditioning projects include these models:

Challenger
Elgin Air Cub, Broom Badger, Broom Bear, Crosswind J, Eagle, Pelican NP/P/S/SE, Whirlwind MV

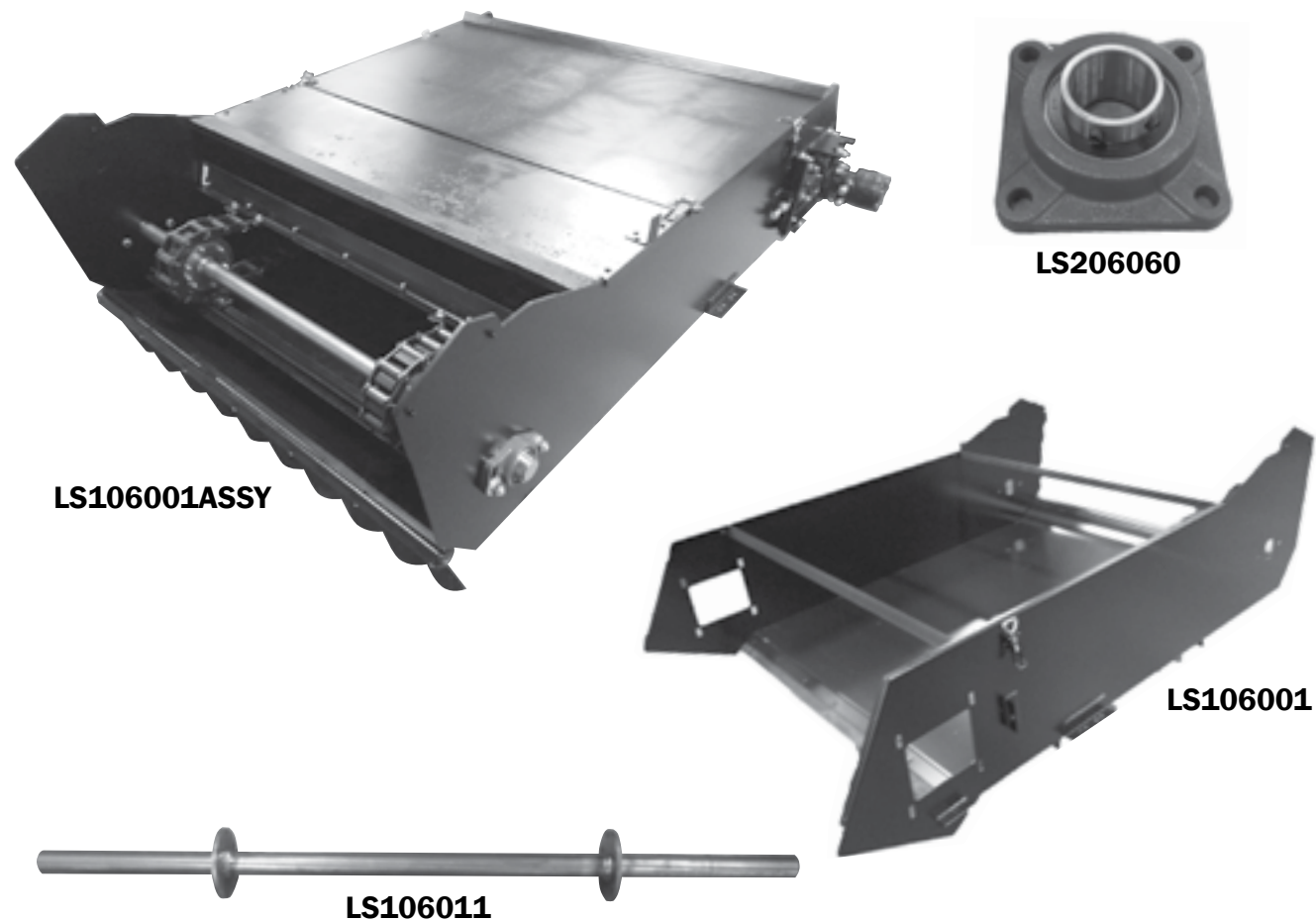
Johnston 4000, 605
Mobil M9D, M9E
Nitehawk Raptor
Schwarze A4000, A7000, M5000, M6 Avalanche, M6000

Stewart-Amos S-4
Sweeprite Husky
Tymco 210, 435, 600, DST-6, FHD

GET MORE INFORMATION: CALL 800.543.6161 • EMAIL SALES@LACAL.COM

ALL PARTS ARE GUARANTEED TO MEET WITH YOUR APPROVAL. Lacal Equipment is in no way implying that any of our products are original equipment parts. All original equipment manufacturer's names, drawings, colors and part numbers are used for identification purposes only.

This Is Just A Sample of Our Most Popular Parts • Additional Parts Available



ALLIANZ

SEE JOHNSTON/GLOBAL

ATHEY-MOBIL

SEE MOBIL

CHALLENGER

LS100006	CONVEYOR SUPPORT PIPE
LS100012	MAIN BROOM ARM PIN
LS100021	CURTAIN
LS100038	HINGE
LS102001	BROOM ARBOR WELDMENT
LS102001	FIBER GUARD
LS102004	FIBER GUARD
LS102005	BROOM ARM BUSHING 1.25 X 1.5 X 4.13
LS102100	RH MAIN BROOM SHAFT
LS102110	RH MAIN BROOM ARM
LS102220	LH MAIN BROOM ARM
LS103005	STEEL BUSHING

CHALLENGER

LS103025	PIN ASSEMBLY
LS103027	SLIDING RAIL
LS103028	RH DRAG SHOE PLATE
LS103032	LH DRAG SHOE PLATE
LS103102	DRAG SHOE
LS106001	CHALLENGER ELEVATOR FRAME W/LINERS
LS106001ASSY	CONVEYOR ASSEMBLY
LS106001H	ABRASION PLATE
LS106002	RH BEARING MOUNT PLATE
LS106003	LOWER CONVEYOR TRAY
LS106005	UPPER CONVEYOR TRAY
LS106006	UPPER ELEVATOR SHAFT
LS106010	SPLIT NYLON SPACER
LS106011	LOWER ELEVATOR SHAFT
LS106012	LOWER MOUNTING PLATE
LS106013	FLIGHT ANGLE
LS106019	8 FLIGHT CONVEYOR CHAIN, .59P
LS106026	LH BRACKET

CHALLENGER

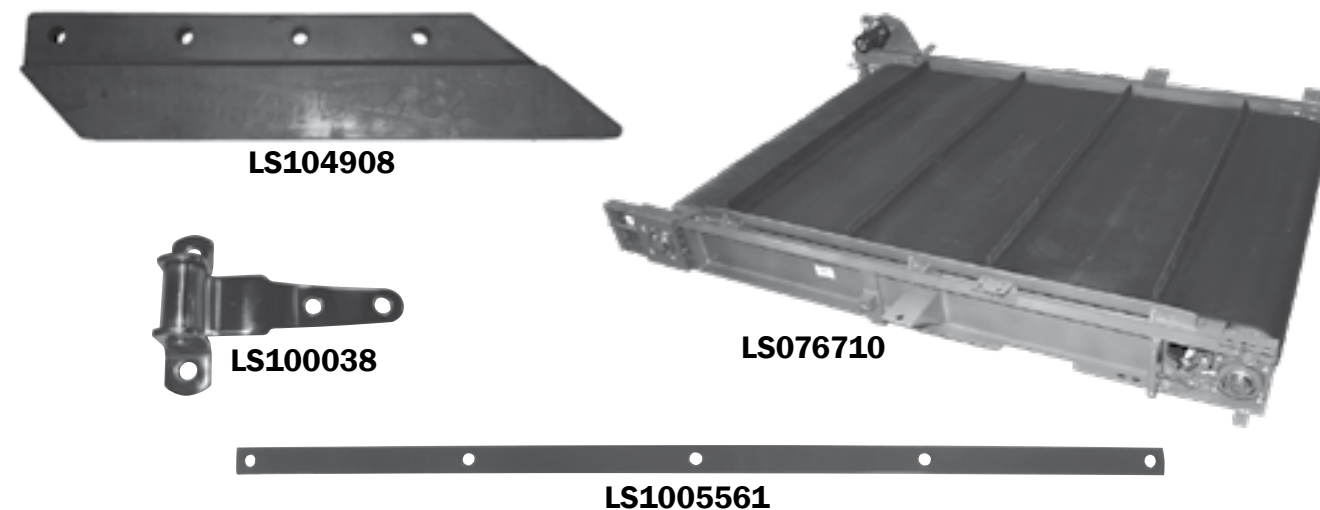
LS106027	RH BRACKET
LS106029	CONVEYOR LID
LS106058	CONV. CURTAIN RUBBER
LS108085	HOPPER WINDOW SEAL
LS108086	HOPPER DOOR PIN
LS114003	SPRAY BAR ASSEMBLY
LS114012	SPRAY NOZZLE GASKET
LS114017	SPRAY TIP (BLUE)
LS119024	HYDRAULIC MOTOR CONN. PLATE
LS153611	MUFFLER KIT
LS206059	UPPER SHAFT BEARING
LS206060	LOWER ELEVATOR SHAFT BEARING
LSWC011700	FLIGHT RUBBER
LSWC013000	ELEVATOR CHAIN

PART NOT LISTED? CALL 800.543.6161 TODAY! LACAL HAS THOUSANDS OF ADDITIONAL PARTS AVAILABLE.

GET MORE INFORMATION: CALL 800.543.6161 • EMAIL SALES@LACAL.COM

ALL PARTS ARE GUARANTEED TO MEET WITH YOUR APPROVAL. Lecal Equipment is in no way implying that any of our products are original equipment parts. All original equipment manufacturer's names, drawings, colors and part numbers are used for identification purposes only.

This Is Just A Sample of Our Most Popular Parts • Additional Parts Available



ELGIN

LS0004525	CAM FOLLOWER
LS0035480	LH DIRT SHOE ASSEMBLY
LS0035481	RH DIRT SHOE ASSEMBLY
LS0035617	PELICAN WAFER BROOM KIT, 22P & 22W
LS0054263	PICKUP HEAD W/C.B. SUB ASSY.
LS0054361	RH SIDE BROOM TILT KIT
LS0054362	LH SIDE BROOM TILT KIT
LS0058809	CROSSWIND J PICKUP HEAD ASSY.
LS0073391	WATER PUMP REPAIR KIT
LS0076025	CARRIER ASSEMBLY
LS0076700	SE CONVEYOR ASSEMBLY
LS0076701	CONVEYOR ASSY. (UP TO T-1353)
LS0076702	CONVEYOR ASSEMBLY
LS0076709	PELICAN FRAME ASSY. (UP TO P24)
LS0076710	PELICAN FRAME ASSY. (START P25)
LS00767101	PELICAN P FRAME KIT ASSEMBLY
LS00767102	PELICAN P FRAME KIT ASSEMBLY
LS00767103	PELICAN SE CONVEYOR KIT S8598-S8766

ELGIN

LS0710047	CONVEYOR HANGER KIT
LS0710053	SPRAY BAR SUB-ASSEMBLY KIT
LS0710055	C.B. HYDRAULIC ADDITIONS
LS0710060	CONVEYOR ASSY. (LESS MOTOR)
LS0710075	C.B. HYDRAULIC SUB ASSEMBLY
LS0710079	SUCTION DUCT GASKET KIT
LS0710086	SPRAY BAR ASSEMBLY
LS0710087	SPRAY BAR ASSEMBLY
LS0710096	SIDE BROOM DRIVE HUB KIT
LS0710101	HD GUIDE WHEEL KIT W/BEARINGS
LS0710112	PICKUP HEAD W/C.B. KIT
LS07101121	PICKUP HEAD W/C.B. ASSEMBLY
LS0710115	WATER SPRAY KIT
LS0710119	SPRAY WATER SUB ASSEMBLY
LS0710123	SPRAY WATER ADDITIONS, STD.
LS0710137	SPRAY WATER ADDITIONS, BAH
LS0710139	CROSSWIND J PICKUP HEAD ASSEMBLY, USMC
LS0710140	C'WIND J PICKUP HEAD ASSY.
LS0710141	PICK-UP HEAD & LIFT ASSEMBLY
LS0710148	CONNECTOR UPDATE KIT
LS0710150	CROSSWIND J CURTAIN SET
LS0710151	CROSSWIND J BAH CURTAIN SET
LS0710152	FSX CURTAIN SET
LS0710164	RH DOOR HINGE KIT
LS0710165	LH DOOR HINGE KIT
LS0710168	IMPELLER BRG KIT-INBOARD
LS0710169	IMPELLER BRG KIT-OUTBOARD
LS0710197	PAIR OF HEADLIGHTS
LS0720015	CROSSWIND G/GE CURTAIN SET
LS0720015P	POLY CURTAIN SET
LS0720016	C'WIND G/GE BAH CURTAIN SET
LS0720034	CROSSWIND J PICKUP HEAD SPARE PARTS KIT
LS100005	LOWER LIFT ARM PIN

ELGIN

LS100007	SHORT CONV LIFT ARM WELDMENT
LS100008	PIN
LS100009	LONG CONVEYOR LIFT ARM
LS100015	SCISSORS PIN
LS100018	BR. BADGER LONG SCISSORS PIN
LS100020	RH ROCKER ARM
LS100038	HINGE
LS1000934	PIPE & BRACKET
LS10010	10" WAFER ARBOR
LS1001319	BAFFLE STRIP
LS1002425	IDLER SPROCKET
LS1002471	SPROCKET & BEARING ASSEMBLY
LS1002863	LUBRICATING HOSE BRACKET
LS1003895	PIVOT BRACKET
LS1003919	SPRING ROD WELDMENT
LS1003921	ROD END
LS1003922	ROD RETAINER
LS1003952	SPRING NUT
LS1003958	M.B. CROSS SHAFT
LS1004908	SHORT RUBBER DIRT RUNNER
LS1005080	BELT, "WHITE WING"
LS1005208	CONVEYOR HINGE BRACKET
LS1005209	PIVOT BRACKET
LS1005274	SCREW
LS1005275	COLLAR
LS1005345	PIVOT SHAFT COLLAR
LS1005381	PIVOT SCREW WITH GREASE ZERK
LS1005412	SPROCKET W/BUSHING
LS1005420	CYLINDER BRACKET WELDMENT
LS1005495	INPUT SHAFT
LS1005496	DRIVE SHAFT SLEEVE
LS1005502	KEY
LS1005552	DIRT DEFLECTOR
LS1005560	DEFLECTOR
LS1005561	CLAMP STRIP

GET MORE INFORMATION: CALL 800.543.6161 • EMAIL SALES@LACAL.COM

ALL PARTS ARE GUARANTEED TO MEET WITH YOUR APPROVAL. Lecal Equipment is in no way implying that any of our products are original equipment parts. All original equipment manufacturer's names, drawings, colors and part numbers are used for identification purposes only.

This Is Just A Sample of Our Most Popular Parts • Additional Parts Available

ELGIN

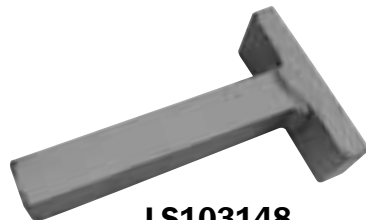
LS1005572	INPUT SHAFT
LS1005593	COLLAR
LS1006070	BEARING BLOCK SET
LS1006193	DEFLECTOR
LS1006206	SHEAR PIN
LS1006229	DEFLECTOR SHIELD
LS1006395	SCRAPER
LS1006418	PULLEY
LS1006435	SCRAPER & BELT ASSEMBLY
LS1006778	SHAFT
LS1006785	S.B. ADJUSTING BLOCK
LS1006797	ADJ. SCREW
LS1006876	BUSHING
LS1006913	ADJ. NUT
LS1007122	WIPER
LS1007218	SPACER
LS1007229	SLEEVE
LS1007247	TAKE UP BLOCK
LS1007250	END PLATE
LS1007257	DRIVE HUB
LS1007503	PIVOT SHAFT WELDMENT
LS1007506	PIVOT BRACKET WELDMENT
LS1007572	DIRT DEFLECTOR
LS1007924	UPPER ROLLER, OLD STYLE
LS1007958	DRIVE SPROCKET
LS1007994	PIVOT PIN
LS1008007	PIVOT PIN
LS1008008	PIVOT PIN WELDMENT
LS1008009	PIVOT PIN WELDMENT
LS1008010	TILT CYLINDER ROD PIN
LS1008011	PIN WELDMENT
LS1008012	ROD PIN WELDMENT
LS1008046	MAIN DRIVE CHAIN
LS1008087	SHAFT
LS1008100	MAIN BROOM STUB SHAFT
LS1008102	M.B. IDLER SHAFT WELDMENT
LS1008129	BRAKE & CLUTCH PEDAL LINK
LS1008361	DIRT DEFLECTOR
LS1008442	LINK
LS1008454	RH GUTTER BROOM COVER
LS1008455	LH GUTTER BROOM COVER
LS1008654	SHAFT
LS1008835	RH LATCH HOOK
LS1008836	LH LATCH HOOK
LS1009159	BAFFLE STRIP
LS1009528	LIFT ROLLER PIN
LS1009534	LOWER MAIN BROOM ARM
LS1009553	CHAIN IDLER ADJ SCREW
LS1009573	PIVOT HOUSING BUSHING
LS1009899	SPLICE BAR
LS1009922	RH GUIDE PLATE WELDMENT
LS1009923	LH GUIDE PLATE WELDMENT
LS1009945	ADJUSTER BRACKET



LS1012407



LS1007958



LS103148



LS1008442

ELGIN

LS1009989	PELICAN CONVEYOR BELT, 48" x 13'
LS1009992	LIFT ROLLER PIN
LS1010081	HOPPER LATCH KIT
LS101010	PIN
LS1010119	BRACKET
LS1010147	BUMPER PAD
LS1010161	DIRT DEFLECTOR
LS1010189	RH SIDE DIRT DEFLECTOR
LS1010716	SHUTTER RUBBER FLAP
LS1010755	THREADED ROD
LS1010765	RH GATE WELDMENT
LS1010778	REAR NOZZLE FLAP
LS1010784	BLIND FLANGE
LS1010986	GUTTER BROOM MOUNTING DISC
LS1011041	SIDE RUBBER NOZZLE FLAP
LS1011204	IMPELLER SHAFT
LS1011205	KEY
LS1011286	BRASS SPRAY NOZZLE
LS1011378	HOPPER DOOR PIVOT SHAFT
LS1011380	CENTER BOARD LIFT ROLLER
LS1011515	KEY
LS1011606	THROTTLE CABLE
LS1011664	SPRING GUIDE ROD
LS1011669	BUSHING
LS1011964	CLAMP DISC
LS1012036	LH GATE WELDMENT
LS1012082	LOCKING DISC
LS1012092	EXT. BROOM APRON SUPPORT
LS1012114	KEY
LS1012125	M.B. CHAIN HOOK
LS1012127	LH LOWER MAIN BROOM ARM
LS1012371	CLAMP STRIP
LS1012373	DEFLECTOR
LS1012407	LH MAIN BROOM ARM

ELGIN

LS1012408	RH MAIN BROOM ARM
LS1012447	CONNECTOR WELDMENT
LS1012488	CONTROL LEVER PIN
LS1012520	RH IDLER ARM
LS1012521	LH IDLER ARM
LS1012522	PELICAN MAIN DRIVE CHAIN
LS1012671	GASKET
LS1012956	TAPERED KEY
LS1012957	TAPERED KEY
LS1012973	RH TAKEUP WELDMENT
LS1013017	RH JACK SHAFT
LS1013018	SHAFT
LS1013019	SHAFT
LS1013148	HEAD WELDMENT
LS1013494	DIFFERENTIAL DRIVE SPROCKET
LS1013714	UPPER WEATHER STRIPPING
LS1013715	LOWER WEATHER STRIPPING
LS1013716	SIDE WEATHER STRIPPING
LS1013717	TOP WEATHER STRIPPING
LS1013917	DIRT DEFLECTOR ASSEMBLY
LS1013951	HOPPER DOOR WELDMENT
LS1014102	LH BEARING ADJUSTER
LS1014103	RH BEARING ADJUSTER
LS1014269	CLAMP STRIP W/STUDS
LS1014353	SLEEVE WELDMENT
LS1014523	BACKING STRIP
LS1014525	DEFLECTOR
LS1014527	CENTER BOARD PLATE
LS1014529	DEFLECTOR ASSEMBLY
LS1014533	DEFLECTOR
LS1014551	CLAMP
LS1014796	MAIN DRIVE CHAIN
LS1014897	SAFETY WIRE, .051 DIA., 36FT COIL
LS1014928	MACHINED DRIVE SPROCKET
LS1015192	LOWER CLEVIS PLATE

GET MORE INFORMATION: CALL 800.543.6161 • EMAIL SALES@LACAL.COM

ALL PARTS ARE GUARANTEED TO MEET WITH YOUR APPROVAL. Lecal Equipment is in no way implying that any of our products are original equipment parts. All original equipment manufacturer's names, drawings, colors and part numbers are used for identification purposes only.

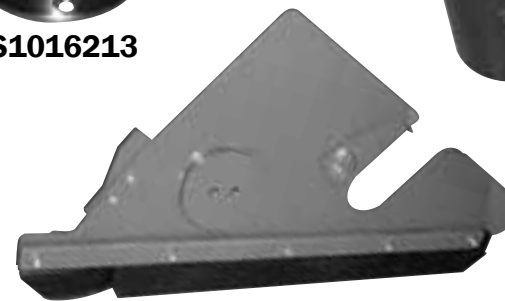
This Is Just A Sample of Our Most Popular Parts • Additional Parts Available



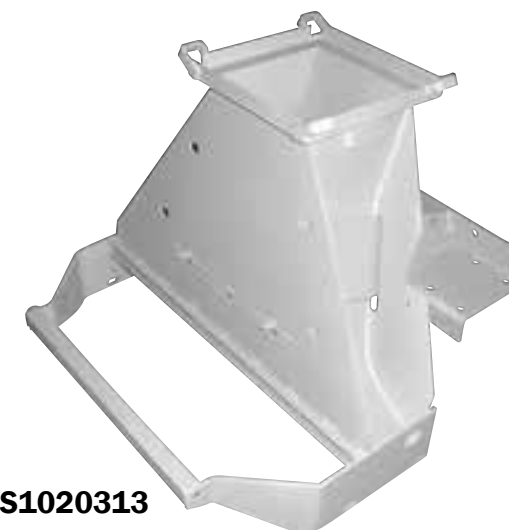
LS1016213



LS1016733



LS1016943



LS1020313

ELGIN

LS1015193	CLEVIS PLATE
LS1015204	ADJUSTING SCREW CLEVIS
LS1015206	CLUTCH BRAKE SHOE PLATE WELDMENT
LS1015210	CLUTCH BRAKE ANGLE BRACKET
LS1015231	DEFLECTOR WEIGHT
LS1015256	OUTPUT SHAFT
LS1015686	M.B. SUSPENSION CHAIN
LS1015695	M.B. SPRING CARRIAGE
LS1015791	LH DOOR WELDMENT
LS1015792	RH DOOR WELDMENT
LS1015801	SPLICE KIT
LS1015857	RH MAIN BROOM BELL CRANK
LS1015859	LH MAIN BROOM BELL CRANK
LS1015972	SIDE BROOM PIVOT CLAMP
LS1015977	SIDE BROOM MOUNTING BRACKET
LS1016043	CLAMPING SPACER
LS1016048	PIVOT
LS1016050	MAIN BROOM ARM CUSHION STOP
LS1016053	AIR CYLINDER
LS1016061	PIN
LS1016097	OUTER REAR NOZZLE RUBBER
LS1016098	INNER REAR NOZZLE RUBBER
LS1016103	HOSE CONNECTOR CATCH BAR
LS1016104	HOSE CONNECTOR WELDMENT
LS1016172	CHAIN
LS1016213	M.B. PIVOT SHAFT
LS1016493	COUNTER WEIGHT
LS1016494	EXTENSION BROOM FRAME WELDMENT
LS1016510	IDLER PULLEY
LS1016518	DEFLECTOR SUPPORT ANGLE
LS1016519	SPACER PIPE
LS1016558	IDLER BEARING SPACER
LS1016564	IDLER FORK WELDMENT

ELGIN

LS1016565	IDLER BRACKET WELDMENT
LS1016616	DIRT HOPPER DEFLECTOR
LS1016688	DEFLECTOR BRACKET WELDMENT
LS1016712	RH TOW BAR BRACKET
LS1016713	LH TOWBAR BRACKET
LS1016714	S.B. LINKAGE TURNBUCKLE
LS1016715	ROD END
LS1016717	RH TOWBAR BRACKET
LS1016718	LH TOWBAR BRACKET
LS1016730	SLEEVE WELDMENT
LS1016732	GATE VALVE WELDMENT
LS1016733	GATE VALVE WELDMENT
LS1016755	NOZZLE RUNNER
LS1016756	LH TOWBAR BRACKET
LS1016757	RH TOWBAR BRACKET
LS1016894	PIVOT PIN
LS1016895	PIN
LS1016942	RH DIRT SHOE ASSEMBLY
LS1016943	LH DIRT SHOE ASSEMBLY
LS1016982	PIN WELDMENT
LS1017546	S.B. LINKAGE BRACKET WELDMENT
LS1017620	SPACER TUBE
LS1017792	FLAP
LS1017830	DEFLECTOR
LS1017909	DEFLECTOR
LS1018112	PIVOT BLOCK
LS1018120	TURNBUCKLE
LS1018414	S.B. CYLINDER SPACER
LS1018415	S.B. CYLINDER SPACER
LS1018961	RUBBER STRIP
LS1019006	FUEL RETURN TUBE
LS1019349	CLAMPING STRIP-GE
LS1019459	HOSE
LS1019552	SIDE BROOM BRACKET STIFFENER

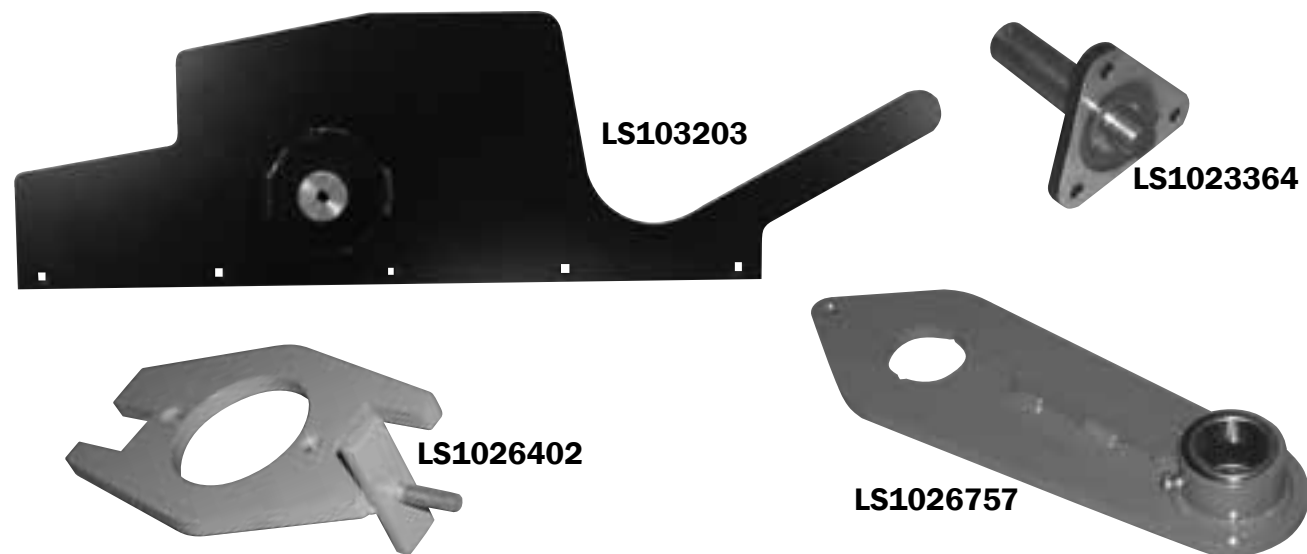
ELGIN

LS1019589	RETAINER PIN WELDMENT
LS1019590	SPACER
LS1019608	SHUTTER WELDMENT
LS1019798	SPACER
LS1019827	DIRT DEFLECTOR
LS1019854	RUBBER STRIP
LS1019888	SPRING GUIDE
LS1019913	REAR RUBBER MTG. BRACKET
LS1020313	SUCTION NOZZLE
LS1020359	LH ENG. COMP. HINGE WELDMENT
LS1020403	GAS SPRING MOUNT
LS1020524	SPACER
LS1020619	LH MAIN BROOM ARM
LS1020796	EXTENSION BROOM CURTAIN
LS1020806	THREADED ROD, S.S.
LS1020807	SIDE BROOM TURNBUCKLE BODY
LS1020865	SPACER
LS1020866	ROD WELDMENT
LS1020871	PIPE
LS1020902	PIPE WELDMENT
LS1021348	FLAP
LS1021349	CLAMP STRIP
LS1021366	CYLINDER BRACKET SHAFT WELDMENT
LS1021367	CYLINDER PIN WELDMENT
LS1021761	BROOM DRIVE SPROCKET
LS1021767	HUB
LS1022362	IDLER ARM
LS1022382	DIFFERENTIAL AXLE SPROCKET
LS1022650	RH TAKE-UP WELDMENT
LS1022660	PIN WELDMENT
LS1022733	WASHER
LS1022740	RH MAIN BROOM ARM
LS1022741	LH MAIN BROOM ARM
LS1022771	RH SIDE COVER

GET MORE INFORMATION: CALL 800.543.6161 • EMAIL SALES@LACAL.COM

ALL PARTS ARE GUARANTEED TO MEET WITH YOUR APPROVAL. Lecal Equipment is in no way implying that any of our products are original equipment parts. All original equipment manufacturer's names, drawings, colors and part numbers are used for identification purposes only.

This Is Just A Sample of Our Most Popular Parts • Additional Parts Available



ELGIN	
LS1022774	LH SIDE COVER
LS1022844	LH SHEET WELDMENT
LS1022881	CONVEYOR DRIVE CHAIN
LS1023338	S.B. MOUNTING WELDMENT
LS1023353	PIN WELDMENT
LS1023364	MAIN BROOM STUB SHAFT
LS1023367	FLAT WASHER
LS1023393	RH CHANNEL WELDMENT
LS1023421	LH CHANNEL WELDMENT
LS1023555	RH MAIN BROOM ARM
LS1023572	LH MAIN BROOM ARM
LS1024012	IDLER BRACKET WELDMENT
LS1024038	HINGE ROD
LS1024125	DEFLECTOR
LS1024284	REAR CURTAIN
LS1024285	CENTER BOARD WELDMENT
LS1024289	TOWBAR ASSEMBLY
LS1024329	DEFLECTOR
LS1024330	CURTAIN
LS1024331	CENTER BOARD ASSEMBLY
LS1024332	CURTAIN
LS1024333	CLAMP
LS1024335	INNER FRONT CURTAIN
LS1024359	HOSE ASSEMBLY
LS1024430	QUICK DISCONNECT
LS1024500	SIDE BROOM CHAIN
LS1024556	SUCTION BLOCKING PLATE
LS1024611	SIDE BROOM MOTOR BRACKET
LS1024925	HOSE, .375 I.D. x 12.25"
LS1024928	HOSE, .375 I.D. x 120.00
LS1025068	BELLOWS
LS1025988	BRASS SPRAY TIP
LS1026402	TORQUE PLATE
LS1026543	LH DIRT SHOE PLATE
LS1026544	RH DIRT SHOE PLATE

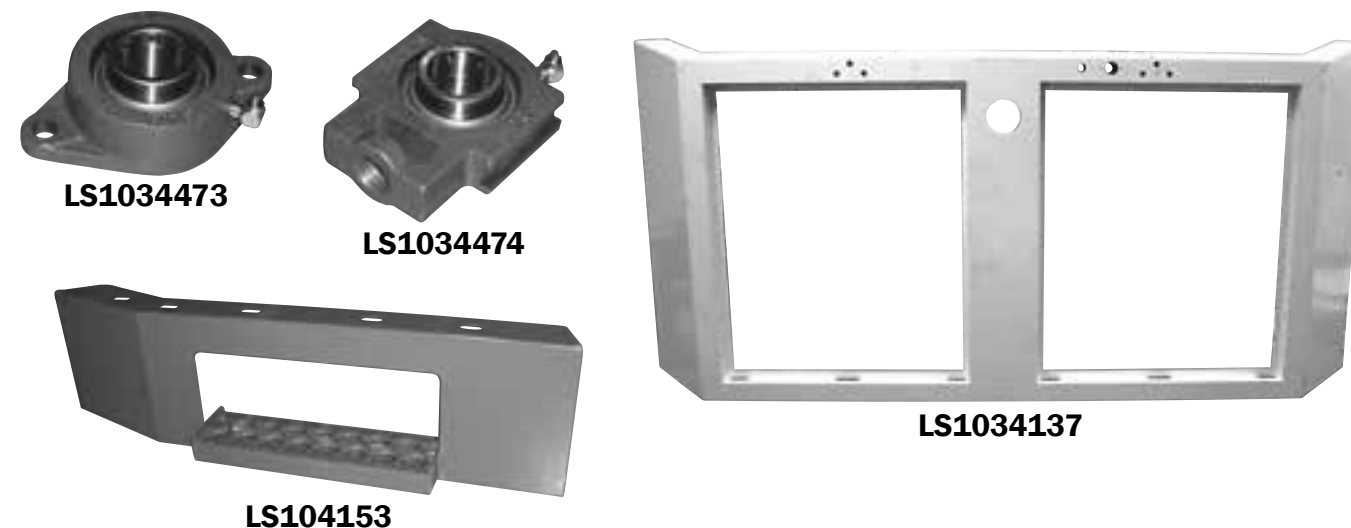
ELGIN	
LS1026757	TOW BAR ASSEMBLY
LS1026758	PIVOT
LS1026761	TOW BAR WELDMENT
LS1026817	SIDE BROOM PIVOT PIN
LS1027358	CENTERBOARD CHAIN
LS1027610	PIPE, 1.50 X 57.50 PVC
LS1027612	PIPE, 1.50 X 32.00 PVC
LS1027613	PIPE, 1.50 X 6.00 PVC
LS1027968	NOZZLE BRACKET WELDMENT
LS1028114	PIVOT PIN WELDMENT
LS1028308	IMPELLER SHAFT SEAL
LS1028409	CHAIN
LS1028425	LH ENG. COMP. HINGE WELDMENT
LS1028426	RH ENG. COMP. HINGE WELDMENT
LS1028436	BATTERY BOX BRACKET
LS1029423	SIDE BROOM RETURN SPRING
LS1029438	SPACER
LS1029442	SIDE BROOM PIN
LS1029451	G.B. MOTOR MOUNTING DISC WELDMENT
LS1029940	M.B. COUPLING & COLLAR KIT
LS1029990	QUICK ATTACH FLANGE
LS1029999	LH DIRT SHOE WELDMENT
LS1030401	RH DIRT SHOE WELDMENT
LS1030404	TOWBAR ASSEMBLY, "G"
LS1030405	FRONT CURTAIN MTG. CHANNEL
LS1030408	CURTAIN MOUNTING ANGLE
LS1030424	INSPECTION DOOR WELDMENT
LS1030469	WATER HOSE, 19" LONG
LS1030477	FRONT CURTAIN ASSEMBLY
LS1030532	REAR CURTAIN SUB ASSEMBLY
LS1030533	INNER CURTAIN ASSEMBLY
LS1030598	GREASE NIPPLE W/ZERK
LS1030743	IDLER BOLT STOP
LS1030745	CLAMP

ELGIN	
LS1030810	PRESSURE SLOT BRACKET
LS1030862	BRASS SPRAY NOZZLE
LS1031022	SIDE BROOM LINKAGE BRACKET WELDMENT
LS103103	RH DRAG SHOE PLATE
LS1031165	PIN WELDMENT
LS1031176	CROSSWIND B PICKUP HEAD
LS1031200	TURNBUCKLE BODY
LS1031255	GUTTER BROOM LINK
LS1031296	PULLEY MOUNTING PLATE WELDMENT
LS1031392	SPRING ANCHOR WELDMENT
LS1031412	SPRAY BAR WELDMENT 1/2" PIPE
LS1031625	HYDRAULIC CYLINDER ASSEMBLY
LS1031809	STEERING CYLINDER ASSEMBLY
LS1032004	INSPECTION DOOR GASKET
LS103203	LH DRAG SHOE PLATE
LS1032974	ATOMIZING SPRAY NOZZLE
LS1032981	SPRAY NOZZLE, S.S.
LS1032982	SPRAY NOZZLE, S.S.
LS1033078	EXT. TUBE WELDMENT
LS1033242	LOWER WEATHERSTRIPPING
LS1033243	SIDE WEATHERSTRIPPING, LONG
LS1033244	SIDE WEATHERSTRIPPING, SHORT
LS1033245	TOP WEATHERSTRIPPING
LS1033256	SIDE BOARD ASSEMBLY
LS1033302	CENTER WEATHERSTRIP
LS1033338	CURTAIN
LS1033339	DEFLECTOR
LS1033377	CROSS CHANNEL DIRT DEFLECTOR
LS1033601	WATER VALVE ASSEMBLY
LS1033805	BRACKET
LS1033828	PIN WELDMENT
LS1033847	RH DBL. ROW SHOE W/PLATE
LS1033848	LH DBL. ROW SHOE W/PLATE

GET MORE INFORMATION: CALL 800.543.6161 • EMAIL SALES@LACAL.COM

ALL PARTS ARE GUARANTEED TO MEET WITH YOUR APPROVAL. Lecal Equipment is in no way implying that any of our products are original equipment parts. All original equipment manufacturer's names, drawings, colors and part numbers are used for identification purposes only.

This Is Just A Sample of Our Most Popular Parts • Additional Parts Available



ELGIN	
LS1033862	RH NOZZLE LOCKING WELDMENT
LS1033863	LH NOZZLE LOCKING WELDMENT
LS1034100	EAGLE E DIRT HOPPER
LS1034107	EAGLE F DIRT HOPPER, EARLY
LS1034133	CONVEYOR FRAME
LS1034137	REAR PANEL WELDMENT
LS1034138	LH REAR DOOR
LS1034140	LH SIDE DOOR
LS1034141	RH SIDE DOOR
LS1034146	HOPPER SIDE PANEL F
LS1034147	UPPER PANEL, HOPPER, RH END
LS1034148	HOPPER DOOR PANEL
LS1034152	LH SIDE WELDMENT
LS1034153	RH STEP WELDMENT
LS1034164	HOPPER DOOR UPPER PANEL
LS1034165	HOPPER DOOR LOWER PANEL
LS1034167	PANEL INSTALL KIT
LS1034168	HOPPER SIDE PANEL
LS1034277	HOPPER TILT CYLINDER PIN
LS1034281	DOOR CYLINDER PIN
LS1034284	LOWER DOOR PIVOT PIN
LS1034285	CYLINDER PIN
LS1034291	CHANNEL
LS1034299	EAGLE G.B. DISC WELDMENT
LS1034332	EAGLE E HOPPER GATE, LOWER
LS1034377	RH S.B. SUPPORT WELDMENT
LS1034381	G.B. LINK PIN, 3/4"
LS1034424	SCREW
LS1034424SS	ADJUSTER SCREW, S.S.
LS1034440	BELT SCRAPER
LS1034465	MOUNTING BRACKET
LS1034473	LOWER ROLLER BEARING
LS1034474	UPPER ROLLER BEARING
LS1034508	EAGLE UPPER ROLLER
LS1034508HD	STD. FRAME UPPER ROLLER, HD

ELGIN	
LS1034509	EAGLE LOWER ROLLER
LS1034539	PIVOT SHAFT
LS1034561	SPACER WELDMENT
LS1034657	HIGH DUMP HOPPER GATE
LS1034720	EAGLE CONVEYOR BELT, 48" x 18'
LS1034734	RH MTG. BRACKET ASSEMBLY
LS1034735	LH MTG. BRACKET ASSEMBLY
LS1034847	HOSE ASSEMBLY
LS1034850	HOSE ASSEMBLY
LS1034857	HOSE ASSEMBLY
LS1034860	HOSE ASSEMBLY
LS1034878	SPACER
LS1035110	WATER CONTROLS MOUNT
LS1035140	M.B. DEFLECTOR, RUBBER
LS1035148	ADJUSTING SCREW PLATE
LS1035218	PLATE
LS1035330	HOSE ASSEMBLY
LS1035354	HOPPER PIVOT APRON
LS1035382	HOPPER COVER
LS1035422	WELDMENT-EXHAUST TUBE - E/F
LS1035470	PIVOT APRON RETAINER
LS1035480	LH DIRT SHOE ASSEMBLY
LS1035481	RH DIRT SHOE ASSEMBLY
LS1035484	LH DIRT SHOE PLATE
LS1035485	RH DIRT SHOE PLATE
LS1035563	EAGLE E/F REAR PANEL ASSEMBLY 2004
LS1035668	ADHESIVE STRIP
LS1035669	5/8" RUBBER STRIP
LS1035670	5/8" RUBBER STRIP
LS1035672	ADHESIVE STRIP
LS1035706	HOSE ASSEMBLY
LS1035708	HOSE ASSEMBLY
LS1035736	REAR RADIATOR SUPPORT
LS1035765	LH SIDE COVER

GET MORE INFORMATION: CALL 800.543.6161 • EMAIL SALES@LACAL.COM

ALL PARTS ARE GUARANTEED TO MEET WITH YOUR APPROVAL. Lecal Equipment is in no way implying that any of our products are original equipment parts. All original equipment manufacturer's names, drawings, colors and part numbers are used for identification purposes only.

CATALOG KEY

Lecal Equipment's Sweeper Parts Item Numbers consist of the prefix "LS" (for "Lecal Sweeper") followed by the part number.

OUR COMMON ABBREVIATIONS:

- M.B. = MAIN BROOM
- C.B. = CENTER BROOM
- S.B. = SIDE BROOM
- G.B. = GUTTER BROOM
- BAH = BROOM ASSISTED HEAD
- HD = HEAVY DUTY
- S.S. = STAINLESS STEEL
- RH = RIGHT HAND
- LH = LEFT HAND
- ASSY = ASSEMBLY
- MNT / MTG = MOUNT / MOUNTING
- GEO = GUTTERBROOM EXTENSION OVERRIDE
- HYD = HYDRAULIC
- TH = THICK
- BRKT = BRACKET
- KT = KIT
- W/ (AND W/O) = WITH (AND WITHOUT)
- CYL = CYLINDER
- ABO = ADJUSTABLE BLAST ORIFICE
- ELEV = ELEVATOR
- CONV = CONVEYOR
- WELD = WELDMENT
- HDW = HARDWARE
- STD = STANDARD
- P.U. / P.U.H. = PICKUP / PICKUP HEAD
- UHMW = ULTRA-HIGH MOLECULAR WEIGHT
- SYS = SYSTEM
- PWR / MAN = POWER / MANUAL
- S/N = SERIAL NUMBER

This Is Just A Sample of Our Most Popular Parts • Additional Parts Available

ELGIN

LS1035766	RH SIDE COVER
LS1035866	COVER
LS1035882	PIPE NIPPLE
LS1035884	REDUCER (MODIFIED)
LS1035916	RUBBER STOP
LS1035982	LH RUNNER DIRT SHOE
LS1035985	RH RUNNER DIRT SHOE
LS1035987	DEFLECTOR
LS1036036	CURTAIN
LS1036056	DIRT DEFLECTOR EXT.
LS1036182	G- SPACER
LS1036378	DEFLECTOR
LS1036503	IDLER BEARING BUSHING
LS1036701	RH FENDER WELDMENT
LS1036754	BRACKET
LS1036953	PLAIN WASHER
LS1037043	DUST SEPARATOR DOOR WELDMENT
LS1037131	LINK ADJUSTER
LS1037159	ADJUSTER ROD
LS1037225	COUNTER WEIGHT
LS1037340	S.B. MTG. DISC WELDMENT
LS1037375	DEFLECTOR
LS1037396	DIRT DEFLECTOR KIT
LS1037535	SPROCKET
LS1037536	SPROCKET
LS1037774	PELICAN UPPER ROLLER
LS1038113	PIN
LS1038116	PIVOT ARM WELDMENT
LS1038117	PIVOT BLOCK WELDMENT
LS1038120	PIVOT BLOCK ASSEMBLY
LS1038400	TORQUE ARM
LS1038563	NOZZLE MOUNT WELDMENT
LS1038601	COVER SUPPORT WELDMENT
LS1038613	LH BROOM COVER
LS1038652	CURTAIN
LS1039090	CHAIN
LS1039206	TUBE-SPACER
LS1039503	H/P WASH DOWN PUMP
LS1039588	1-1/2 WATER HOSE
LS1039694	BROOM ARBOR ASSEMBLY
LS1039695	FIBER GUARD
LS1039699	BROOM ARBOR WELDMENT
LS1039950	HINGE
LS1039984	MAIN BROOM KIT
LS1040010	BRASS SPRAY NOZZLE
LS1040011	BRASS SPRAY NOZZLE
LS104003	PIN WELDMENT
LS104006	HYD. MOTOR MOUNTING BRACKET
LS1040065	WATER HOSE, 10" LONG
LS1040066	HOSE, .375" X 19"
LS104009	PIN
LS1040091	BROOM ARBOR ASSEMBLY
LS1040092	BROOM ARBOR

ELGIN

LS1040092X	BROOM ARBOR W/COMP. RUBBER
LS104011	BRONZE WASHER
LS1040114	S.B. NOZZLE BRACKET
LS1040123	CENTER BOARD - ASSEMBLED
LS1040124	CENTERBOARD WELDMENT
LS1040126	CENTERBOARD CURTAIN
LS1040244	SIDE BROOM MOTOR MOUNT
LS1040394	PICKUP HEAD STOP KIT
LS1040400	SPACER
LS1040448	INLET SHROUD
LS1040455	WINDSHIELD WIPER MOTOR
LS104046	UPPER ARM WELDMENT
LS1040603	RH COVER WELDMENT
LS1040604	LH COVER WELDMENT
LS1040769	PIN WELDMENT
LS1040817	LH COVER WELDMENT
LS1040819	RH LOWER SHEET WELDMENT
LS1041221-P	POLY DEFLECTOR
LS1041221-R	RUBBER DEFLECTOR
LS1041223	COVER
LS1041287	BROOM COVER
LS1041316	LH BROOM ARM STOP WELDMENT
LS1041329	RH BROOM ARM STOP WELDMENT
LS1041330	CENTERBOARD CURTAIN
LS1041331	CENTERBOARD ASSEMBLY
LS1041516	CURTAIN MOUNTING ANGLE
LS1041572	1 CLEAT BELT SECTION, NO HOLES
LS1041573	2 CLEAT BELT SECTION, NO HOLES
LS1041605	HOSE ASSEMBLY
LS1041658	COMPRESSION RUBBER
LS1041795	RH NOZZLE LOCK MOUNTING BRACKET
LS1041796	LH NOZZLE LOCK MOUNTING BRACKET
LS1041801	HOPPER SCREEN WELDMENT (1PC)
LS1041867	LEVER WELDMENT
LS1041936	CURTAIN
LS1041937	DOOR WELDMENT
LS104205	SIDE BROOM BRUSH MOUNT
LS1042074	UPPER CONVEYOR HANGER
LS1042075	DRIVE PIN
LS1042076	LOWER CONVEYOR HANGER
LS1042080	BALANCE SPRING TUBE
LS1042097	RH SIDE BROOM MOTOR MOUNTING BRACKET
LS1042098	LH SIDE BROOM MOTOR MOUNTING BRACKET
LS1042143	CLEAN-OUT DOOR WELDMENT
LS1042156	MAIN BROOM COUNTERWEIGHT
LS1042289	LOWER ROLLER
LS1042374	MOTOR COVER MOUNTING BRACKET
LS1042375	MOTOR COVER

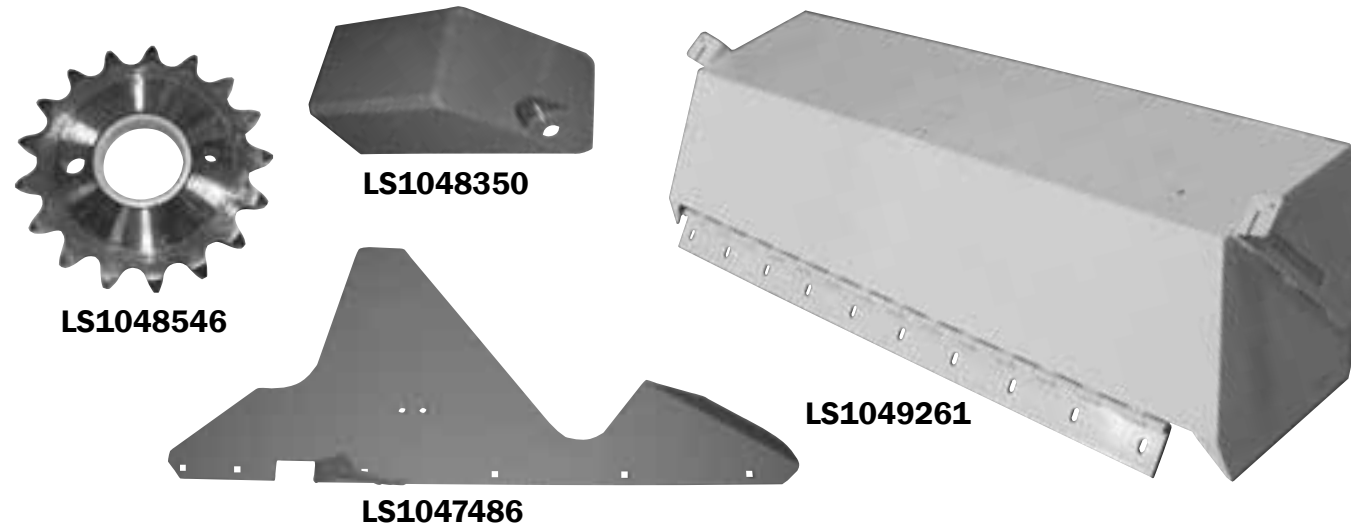
ELGIN

LS1042382	SPACER PLATE
LS1042465	BRACKET, PRESSURE SLOT, BAH
LS1042504	CHAIN
LS1042664	CONVEYOR DRIVE CHAIN COVER
LS1042702	TOWBAR PIN
LS1042727	WELD-ON COLLAR
LS1042728	TOWBAR PIN (REPLACEMENT)
LS1042729	TOWBAR PIN REPLACEMENT KIT
LS1042810	MOTOR PLATE
LS1042811	MOTOR PLATE
LS1042812	CHAIN
LS1042826	CROSS BAR WELDMENT
LS1042839	HYDRAULIC PUMP
LS1042874	BROOM COVER, FRONT SUPPORT
LS1042881	SIDE BROOM DISC
LS1042895	PELICAN SE STEP WELDMENT
LS1042994	REAR DOOR
LS1043033	RH S. B. MOUNTING ASSEMBLY
LS1043035	RH S.B. MOUNTING WELDMENT
LS1043036	LH S. B. MOUNTING ASSEMBLY
LS1043038	LH S. B. MOUNTING WELDMENT
LS1043115	UPPER FAN HOUSING W/LINATEX
LS1043131	BAH PICKUP HEAD, G/GE
LS1043131A1	CROSSWIND G PICKUP HEAD KIT
LS1043131ASSY	PICKUP HEAD ASSEMBLY
LS1043146	PICKUP HEAD KIT
LS10431461	CROSSWIND GE PICKUP HEAD ASSEMBLY
LS1043146ASSY	PICKUP HEAD, ASSEMBLED
LS1043160	NOZZLE
LS1043475	BROOM LIFT WELDMENT
LS1043479	CONNECTING LINK
LS1043628	RH MAIN BROOM ARM
LS1043652	S.B. MOTOR MOUNT WELDMENT
LS1043658	EAGLE MAIN BROOM ARM
LS1043801	DIRT HOPPER W/GATE
LS1043825	COUPLING
LS1043862	SPRING GUIDE ROD
LS1043892	LOWER STRUT WELDMENT (MACHINED)
LS1043894	UPPER STRUT WELDMENT
LS1044122	HOPPER DOOR
LS1044187	WEATHERSTRIP, 2.00 x 90
LS1044753	POP RIVET
LS1044915	CURTAIN
LS1045127	INLET RING
LS1046004	RH S.B. LATCH WELDMENT
LS1046005	LH S.B. LATCH WELDMENT
LS1046095	PLATE
LS1046723	CONVEYOR COVER UPPER HALF
LS1046725	CONVEYOR COVER LOWER HALF
LS1046751	RH MOTOR MOUNT, TILT OPTION
LS1046752	LH MOTOR MOUNT, TILT OPTION
LS1046822	REAR DOOR
LS1046847	LH SIDE DOOR WELDMENT

GET MORE INFORMATION: CALL 800.543.6161 • EMAIL SALES@LACAL.COM

ALL PARTS ARE GUARANTEED TO MEET WITH YOUR APPROVAL. Lecal Equipment is in no way implying that any of our products are original equipment parts. All original equipment manufacturer's names, drawings, colors and part numbers are used for identification purposes only.

This Is Just A Sample of Our Most Popular Parts • Additional Parts Available



ELGIN

LS1046848	RH SIDE DOOR WELDMENT
LS1047485	LH DIRT SHOE PLATE
LS1047486	RH DIRT SHOE PLATE
LS1047487	LH DIRT SHOE ASSEMBLY
LS1047488	RH DIRT SHOE ASSEMBLY
LS1047602	CHAIN
LS1047693	LH EAGLE TOWBAR ASSEMBLY
LS1047694	RH EAGLE TOWBAR ASSEMBLY
LS1047695	LH TOWBAR WELDMENT W/BUSH
LS1047696	RH TOWBAR WELDMENT W/BUSH
LS1047988	HD LOWER ROLLER
LS1047989	HD UPPER ROLLER, HD FRAME
LS1048040	LINATEX, INSPECTION COVER
LS1048058	INSPECTION DOOR W/LINER
LS1048218	SLEEVE-SPACER
LS1048254	LOWER BLOWER HOUSING, W/LINATEX
LS1048323	BLOCK
LS1048326	TURNBUCKLE
LS1048331	PIVOT PIN
LS1048350	COUNTER BALANCE BLOCK WEIGHT
LS1048376	HOSE ASSEMBLY
LS1048377	HOSE ASSEMBLY
LS1048378	HOSE ASSEMBLY
LS1048412	IMPELLER SHAFT
LS1048546	SPROCKET W/BRONZE BEARING
LS1048609	RH BR LINK BRACKET WELDMENT
LS1048610	LH BR LINK BRACKET WELDMENT
LS1048741	TAKE-UP BEARING
LS1048774	SIDE DOOR WEATHERSTRIP
LS1048775	SIDE DOOR WEATHERSTRIP
LS1049201	IMPELLER/SHAFT/SHEAVE KIT
LS1049261	BROOM SHROUD WELDMENT
LS1049270	COVER HANGER TUBE

ELGIN

LS1049315	CHAIN ASSEMBLY
LS1049375	HOSE, 8" x 168" OAL W/4" CUFFS
LS1049569	BROOM COVER. INNER, COATED
LS1049629	RH SIDE BROOM BRACKET
LS1049630	LH SIDE BROOM BRACKET
LS1049631	DEFLECTOR
LS1049666	MAIN BROOM COVER
LS1049755	MAIN BROOM COVER, SUSP. KIT
LS1049815	RH BROOM COVER
LS1049818	MOTOR COVER BRUSH KIT
LS10500091	CENTER BROOM BRUSH ASSY.
LS10500391	CTR. BRUSH CHANNEL WELDMENT
LS1050104	FAN HOUSING
LS1050119	FRONT PLATE WELDMENT
LS1050120	FAN DUCT WELDMENT
LS1050133	INSPECTION DOOR WELDMENT
LS1050177	STD. BROOM DISC WELDMENT
LS1050290	HOOK TUBE
LS1050466	HOPPER PIN
LS1050468	S.B. PIVOT CLAMP
LS1050472	ROD
LS1051128	CHAIN
LS1051391	FRONT CURTAIN
LS1051392	CLAMP STRIP
LS1051446	SPACER
LS1051454	SUCTION HOSE, 11" x 65"
LS1051555	HOUSING MOUNT PLATE
LS1051557	ASSEMBLY-INSPECTION DOOR
LS1051583	SCRAPER WELDMENT
LS1051596	HOPPER DOOR PROP
LS1051751	PIVOT PIN
LS1051878	WANDERING HOSE, 8" X 8"-6"
LS1051957	GATE VALVE COVER PLATE
LS1052013	PICKUP HEAD ASSY., C'WIND G

ELGIN

LS1052070	LOWER FAN HOUSING, LINATEX LINED
LS1052182	IDLER ASSEMBLY
LS1053020	LH MAIN BROOM ARM
LS1053021	RH MAIN BROOM ARM
LS1053022	LH UPPER MAIN BROOM ARM
LS1053023	RH MAIN BROOM ARM
LS1053082	PIN WELDMENT
LS1053085	DIRT SHOE CLAMP
LS1053227	WATER TANK
LS1053389	PIVOT BEARING ASSEMBLY
LS1053447	CURTAIN
LS1053503	FUEL HOSE
LS1053604	SPACER
LS1053640	CONVEYOR WASHOUT PIPE
LS1053650	BUMP STOP SPACER
LS1053861	COVER KIT
LS1054041	RED LENS INSERT
LS1054060	HOSE ASSEMBLY
LS1054099	ADJUSTABLE LEVER ARM
LS1054102	PIVOT SHAFT WELDMENT
LS1054104	PIVOT BLOCK WELDMENT
LS1054105	PIVOT BLOCK ASSEMBLY
LS1054130	RH DIRT SHOE PLATE
LS1054131	LH DIRT SHOE PLATE
LS1054132	RH DIRT SHOE ASSEMBLY
LS1054133	LH DIRT SHOE ASSEMBLY
LS1054136	DEFLECTOR
LS1054185	CLAMP
LS1054223	LH S.B. SUPPORT WELDMENT
LS1054254	DIRT DEFLECTOR KIT W/CURTAIN
LS1054255	DIRT SHOE UPDATE KIT
LS1054267	DR CARBIDE RUNNER 32-1/2"
LS1054322	LONG RUBBER DIRT RUNNER
LS1054345	RH S.B. LINK TILT WELDMENT

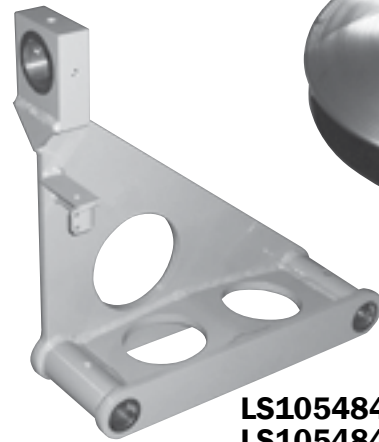
GET MORE INFORMATION: CALL 800.543.6161 • EMAIL SALES@LACAL.COM

ALL PARTS ARE GUARANTEED TO MEET WITH YOUR APPROVAL. Lecal Equipment is in no way implying that any of our products are original equipment parts. All original equipment manufacturer's names, drawings, colors and part numbers are used for identification purposes only.

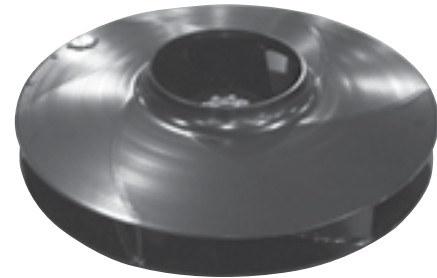
This Is Just A Sample of Our Most Popular Parts • Additional Parts Available



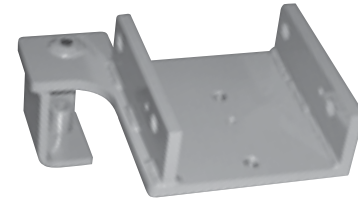
LS1058808



LS1054848
LS1054849



LS1059047



LS1054346

ELGIN

LS1054346	LH S.B. LINK TILT WELDMENT
LS1054436	RH TILT BRACKET
LS1054437	LH G.B. TILT BRACKET
LS1054480	DIRT DEFLECTOR
LS1054535	REAR SLOT WELDMENT
LS1054537	REAR CURTAIN
LS1054539	REAR CURTAIN ASSEMBLY
LS1054576	TOW BAR
LS1054577	TOWBAR ASSEMBLY
LS1054578	REAR CURTAIN WELDMENT
LS1054582	FRONT CURTAIN ASSEMBLY
LS1054585	FRONT SLOT WELDMENT
LS1054593	DEFLECTOR
LS1054797	MOTOR COUPLER
LS1054848	RH SIDE BROOM LINK
LS1054849	LH SIDE BROOM LINK
LS1054935	RH FENDER
LS1054936	LH FENDER
LS1055154	RH S.B./M.B. DRIVE SHAFT
LS1055155	LH S.B. DRIVE SHAFT
LS1055189	TORQUE ARM PLATE
LS1055224	MAIN BROOM STUB SHAFT
LS1055270	FSO-M.B. TORQUE ARM/MOTOR KIT
LS1055538	INPUT SHAFT
LS1055724	COUPLING KIT
LS1055752	WATER PUMP BASE
LS1055780	WOODRUFF KEY MOD
LS1055845	WATER PUMP MOUNTING KIT
LS1055850	HOSE BASKET
LS1055857	RH S.B. COVER
LS1055862	LH S.B. COVER
LS1055932	HOSE ASSEMBLY
LS1056689	DEFLECTOR WELDMENT
LS1056847	SPRAY PIPE

ELGIN

LS1056855	RH NOZZLE MTG. WELDMENT
LS1056856	LH NOZZLE MTG. WELDMENT
LS1056959	WELDMENT-MUFFLER SUPPORT
LS1057004	SWIVEL WELDMENT (STARTY-200)
LS1057104	SLOT ADJUSTER ASSEMBLY
LS1057125	CONVEYOR BOTTOM COVER
LS1057673	MAIN BROOM DEFLECTOR
LS1057770	LIFT ARM UPDATE KIT
LS1057932	DEFLECTOR WELDMENT
LS1057958	ENGINE/PUMP MTG. WELDMENT
LS1058086	DRAWBAR BRACKET
LS1058110	RH CYLINDER MTG. BRACKET
LS1058111	LH CYLINDER MTG. BRACKET
LS1058112	LINK PIN WELDMENT
LS1058145	HOSE CONNECTOR WELDMENT
LS1058146	RH GUTTERSHOE WELDMENT
LS1058147	LH GUTTERSHOE WELDMENT
LS1058150	LOWER ROLLER CURTAIN
LS1058161	DEFLECTOR WELDMENT
LS1058198	RH DRAWBAR WELDMENT
LS1058199	LH DRAWBAR WELDMENT
LS1058223	MAIN BROOM DEFLECTOR KIT
LS1058264	RH RETAINING BRACKET
LS1058265	LH RETAINING BRACKET
LS1058383	REAR NOZZLE BAR WELDMENT
LS1058387	GEOVAC IMPELLER W/HUB
LS1058588	LH WELDMENT HOPPER DOOR CAM
LS1058589	RH WELDMENT HOPPER DOOR CAM
LS1058702	END TUBE WELDMENT
LS1058704	WANDERING HOSE CONNECTOR
LS1058726	CROSSWIND J DIRT HOPPER
LS1058796	PIVOT ARM WELDMENT
LS1058799	PICKUP BAR
LS1058808	BLOWER HOUSING & IMPELLER ASSEMBLY, C'WIND J

ELGIN

LS1058814	BLOWER HOUSING & IMPELLER ASSEMBLY, C'WIND J
LS1058831	W.H. END MTG WELDMENT
LS1058839	FRONT BROOM COVER
LS1058850	BROOM FRONT COVER CURTAIN
LS1058944	FRONT CURTAIN
LS1058945	FRONT CURTAIN ASSEMBLY
LS1058947	FRONT CURTAIN
LS1058950	REAR CURTAIN
LS1058951	REAR CURTAIN ASSEMBLY
LS1058961	ADAPTER TUBE (UP TO J284)
LS1058962	LH DR SHOE W/PLATE
LS1058963	RH DR SHOE W/PLATE
LS1058964	C'WIND J BAH, LH CARBIDE SHOE
LS1058965	C'WIND J BAH, RH CARBIDE SHOE
LS1059023	PIN, 1" OD x 2.75" LG
LS1059047	CROSSWIND G/GE IMPELLER
LS1059056	CROSSWIND J PICKUP HEAD (UP TO S/NJ0294)
LS1059070	SEPARATOR DOOR WELDMENT
LS1059075	SEPARATOR WELDMENT
LS1059110	CROSSWIND J SCREEN
LS1059115	CROSSWIND J BAH PICKUP HEAD
LS10591151	PICKUP HEAD KIT, C'WIND J, BAH
LS10591151ASSY	PICKUP HEAD ASSEMBLY, C'WIND J, BAH
LS1059115ASSY	BAH HEAD COMPLETE ASSY., "J"
LS1059172	INNER REAR CURTAIN ASSEMBLY
LS1059173	C'WIND J PICKUP HEAD SUB ASSEMBLY KIT
LS10591731	CROSSWIND J PICKUP HEAD KIT
LS10591731ASSY	CROSSWIND J PICKUP HEAD ASSEMBLY
LS1059177	LH COVER PLATE
LS1059180	DOOR HINGE SHIM
LS1059181	DOOR HINGE SHIM

GET MORE INFORMATION: CALL 800.543.6161 • EMAIL SALES@LACAL.COM

ALL PARTS ARE GUARANTEED TO MEET WITH YOUR APPROVAL. Lecal Equipment is in no way implying that any of our products are original equipment parts. All original equipment manufacturer's names, drawings, colors and part numbers are used for identification purposes only.

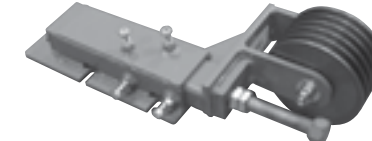
This Is Just A Sample of Our Most Popular Parts • Additional Parts Available



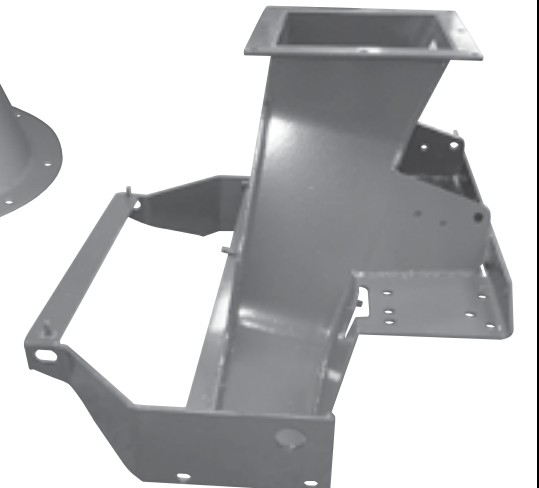
LS1059808



LS1059300



LS1060719



LS1063055

ELGIN

LS1059184	REAR BROOM COVER CURTAIN
LS1059254	NOZZLE, FC, 90-DEG., 1.9, BR
LS1059277	BOOM WELDMENT
LS1059283	WELDMENT-HOIST UPPER PIN
LS1059286	HOSE CONNECTOR ASSEMBLY
LS1059297	PICKUP HEAD STOP KIT
LS1059300	PRESSURE TUBE
LS1059302	SUCTION TUBE (UP TO J284)
LS1059321	LINATEX, LOWER FAN HOUSING, "C"
LS1059322	LINATEX, LOWER FAN HOUSING, "D"
LS1059362	HOSE, 14" I.D. x 26" LG. x 3" CUFFS
LS1059381	HOPPER DOOR
LS1059424	HOSE CONNECTOR WELDMENT
LS1059510	LATCH PIN
LS1059570	FUEL & OIL HOSE, .500 I.D. x 4"
LS1059607	PIVOT SHAFT WELDMENT
LS1059639	HOPPER LIFT FRAME
LS1059686	HOPPER SUPPORT FRAME
LS1059747	LIFT PIVOT PIN
LS1059751	ROLLER SHAFT
LS1059753	ROLLER
LS1059764	LIFT PIN
LS1059783	HOPPER PIN
LS1059786	WELDMENT-HOIST PIN
LS1059808	EAGLE DIRT HOPPER WELDMENT
LS1059808SP	EAGLE DIRT HOPPER W/O INSPECTION WINDOWS
LS1059819	HOPPER CHUTE
LS1059820	HOPPER DOOR HINGEPIN, S.S.
LS1059824	INSPECTION DOOR WELDMENT
LS1059825	EAGLE HOPPER ASSEMBLY
LS1059828	WINDOW MOLDING
LS1059950	WANDERING HOSE WELDMENT
LS1060150	RH LOWER SHEET WELDMENT
LS106016	CONVEYOR SUPPORT BRACKET

ELGIN

LS1060161	TUBE WELDMENT
LS106023	CURTAIN STRAP
LS1060337	TOW BAR ASSEMBLY
LS1060338	TOW BAR
LS1060454	GUTTER BROOM DISC
LS1060457	HOSE ASSEMBLY
LS1060458	HOSE ASSEMBLY
LS1060459	HOSE ASSEMBLY
LS1060485	CHAIN (PER FOOT)
LS1060536	SPACER TUBE
LS1060537	WHEEL FORK WELDMENT
LS1060550	ADJUSTER SCREW, 3/4-10
LS1060598	GUTTER BROOM PLATE WELDMENT
LS1060648	BLANKING PLATE
LS1060678	MAKE/BREAK STAND WELDMENT
LS1060682	MAKE/BRAKE TUBE WELDMENT
LS1060719	IDLER PULLEY ASSEMBLY
LS1060750	SPACER
LS1060838	CHAIN MOUNT ANGLE
LS1060910	SIDE CURTAIN
LS1061079	BULB SEAL - 50.5"
LS1061172	PIVOT PIN
LS1061226	RH PIVOT MOUNT
LS1061227	LH PIVOT MOUNT
LS1061233	RH STEP WELDMENT
LS1061236	SPACER
LS1061295	RH S.B. TILT MOUNT WELDMENT
LS1061329	LH S.B. TILT MOUNT WELDMENT
LS1061360	RH GATE VALVE WELDMENT
LS1061361	LH GATE VALVE WELDMENT
LS1061533	LH MAIN BROOM ARM
LS1061535	LH MAIN BROOM ARM
LS1061600	S.B. MTG. WELDMENT, LH-P
LS1061810	LATCH STRIKE WELDMENT

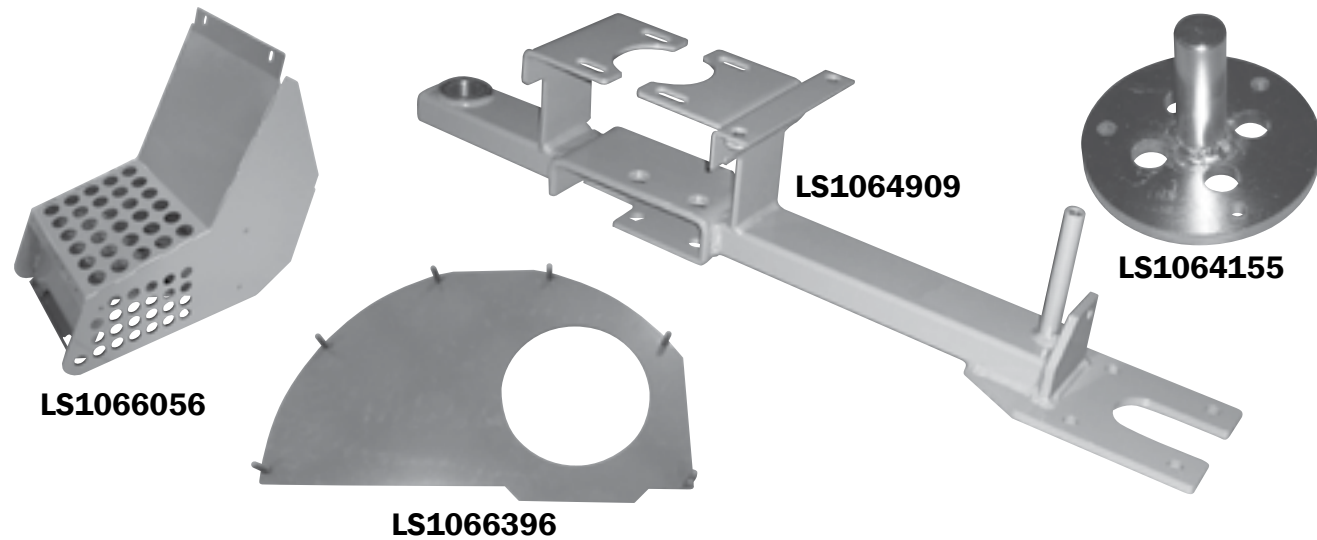
ELGIN

LS1061863	HOPPER DOOR CATCH LINK
LS1061894	ADJUSTING SCREW
LS1061907	EXTENDED LIFE IMPELLER
LS1061997	LH TAKE UP WELDMENT
LS1061998	RH TAKE UP WELDMENT
LS1062005	CONVEYOR FRAME
LS1062005QCK	PELICAN CONVEYOR KIT
LS1062005QCK1	CONVEYOR KIT LESS FRAME
LS1062005R	MIDDLE DEFLECTOR BRACKET
LS1062005S	LOWER DEFLECTOR BRACKET
LS1062014	ANGLE
LS1062045	PIVOT BEARING ASSEMBLY
LS1062058	WELDMENT PIPE & BRACKET
LS1062066	LH SPRAY NOZZLE ROD
LS1062112	ROD END
LS1062386	CHAIN, 47 LINKS
LS1062486	FSO-LINATEX INSTALL KIT
LS1062591	WELDMENT-HOPPER, C'WIND J
LS1062681	IDLER PULLEY SUPPORT
LS1062778	RH PIVOT MOUNT
LS1062779	LH PIVOT MOUNT
LS1062782	PIVOT SHAFT
LS1062847	CHANNEL-MOTOR PIVOT, RH & LH
LS1062874	HOSE CONNECTOR WELDMENT
LS1063055	SUCTION NOZZLE WELDMENT
LS1063123	HOSE CONN TRANSITION
LS1063124	HOSE CONNECTOR WELDMENT
LS1063288	HOPPER DEFLECTOR WELDMENT
LS1063686	LH LOWER SHEET WELDMENT
LS1063688	RH LOWER SHEET WELDMENT
LS1063690	LH UPPER SHEET WELDMENT
LS1063692	RH UPPER SHEET WELDMENT
LS1063694	RH TOP FILLER PLATE
LS1063695	LH TOP FILLER PLATE

GET MORE INFORMATION: CALL 800.543.6161 • EMAIL SALES@LACAL.COM

ALL PARTS ARE GUARANTEED TO MEET WITH YOUR APPROVAL. Lecal Equipment is in no way implying that any of our products are original equipment parts. All original equipment manufacturer's names, drawings, colors and part numbers are used for identification purposes only.

This Is Just A Sample of Our Most Popular Parts • Additional Parts Available



ELGIN	ELGIN	ELGIN			
LS1063833	HYDRAULIC MOTOR COUPLING	LS1065647	C.B. COVER WELDMENT	LS1066855	FRONT CASTER MOUNT WELDMENT
LS1064155	SHAFT & FLANGE WELDMENT	LS1065651	PICKUP HEAD, S/N J0295+	LS1067025	WATER PUMP SHIELD WELDMENT
LS1064251	RH SUCTION NOZZLE ASSEMBLY	LS1065652	PICKUP HEAD ASSEMBLY	LS1067369	BAH PICKUP HEAD
LS1064252	LH SUCTION NOZZLE ASSEMBLY	LS10656521	C'WIND J PICKUP HEAD KIT	LS10673691	PICKUP HEAD, PARTIAL ASSEMBLY
LS1064393	SIDE BROOM CURTAIN	LS1065655	SUCTION TUBE WELD. (J285 & UP)	LS1067369ASSY	PICK-UP HEAD ASSEMBLY
LS1064415	SUCTION TUBE	LS1065669	PICKUP HEAD WELDMENT, FSX	LS1067372	BROOM COVER FRONT PLATE WELDMENT
LS1064416	ADAPTER TUBE	LS1065674	PICKUP HEAD SUB ASSEMBLY	LS1067529	CLEVIS PIN
LS1064657	CLAMP	LS1065678	PLATE	LS1067564	CROSS BAR WELDMENT
LS1064784	RH SUCTION NOZZLE ASSEMBLY	LS1065679	CLAMPING PLATE	LS1067564	LH BROOM COVER
LS10647841	RH NOZZLE ASSY. (SP NO AIR CYL)	LS1065750	ANG-RH CLAMP	LS1067566	RH BROOM COVER
LS1064785	LH SUCTION NOZZLE ASSEMBLY	LS1065755	HOSE BASKET	LS1067568	WELDMENT-SCRAPER
LS1064789	CONV. MOTOR & COUPLING KIT	LS1065756	RH GATE VALVE WELDMENT 11"	LS1067738	SPACER-BROOM
LS1064792	SUCTION NOZZLE HOSE, 13" x 55"	LS1065757	LH GATE VALVE WELDMENT 11"	LS1067760	SCISSORS SHAFT
LS1064805	CONV. MOTOR/COUPLING KIT	LS1065787	FUEL TANK STRAPS	LS1067769	ELEVATOR ASSEMBLY
LS1064807	HYD. MOTOR MOUNT BRACKET	LS1065978	UM-3/4P-LOK HOSE	LS1067877	CENTERBOARD DEFLECTOR ASSY.
LS1064824	LH CENTER TIE DOWN	LS1066021	SIDE BROOM CURTAIN	LS1067936	FSO PIN SCISSOR LIFT
LS1064825	RH CENTER TIE-DOWN	LS1066022	SIDE BROOM CURTAIN CLAMP	LS1068113	LATCH BAR WELDMENT
LS1064842	MAIN BROOM LIFT CHAIN	LS1066032	CLAMP ANGLE WELDMENT	LS1068117	UPPER LINK WELDMENT
LS1064896	LH DIRT SHOE PLATE	LS1066056	DIFFUSER WELDMENT	LS1068267	M.B. SPRAY BRACKET, PM10
LS1064896SP	LH SPECIAL DIRT SHOE PLATE	LS1066077	BRASS NOZZLE, 90-DEG., .38	LS1068346	IDLER MOUNTING WELDMENT
LS1064897	RH DIRT SHOE PLATE	LS1066192	SCREEN LINK WELDMENT	LS1068527	DOOR LATCH BAR
LS1064897SP	RH SPECIAL DIRT SHOE PLATE	LS1066232	CLAMP ANGLE	LS1068718	LH SIDE BROOM MOTOR BRACKET
LS1064909	LH REAR BROOM STRUT	LS1066298	NOZZLE BODY, 1/4" NPT	LS1068721	LH S.B. TILT UPDATE KIT
LS1064975	WELDMENT CTR BROOM SWIVEL	LS1066299	SPRAY NOZZLE, 0.3 GPM (POLY)	LS1068722	RH S.B. TILT UPDATE KIT
LS1064995	C.B. PIVOT TUBE ASSY.	LS1066369	LH GATE WELDMENT	LS1068723	RH SIDE BROOM MOTOR BRACKET
LS1065094	RH TOW TUBE WELDMENT	LS1066370	RH GATE WELDMENT	LS1068728	WELDMENT CBRM - END PLATE
LS1065166	IDLER BOLT	LS1066396	LH COVER PLATE WELDMENT	LS1068998	ELEVATOR COVER, HD
LS1065281	REAR PANEL WELDMENT	LS1066397	RH COVER PLATE WELDMENT	LS1069000	ELEVATOR FRAME W/LINERS. HD
LS1065396	RH MAIN BROOM ARM	LS1066437	PLATE BEARING MOUNT	LS1069001	HD ELEVATOR ASSEMBLY
LS1065397	RH MAIN BROOM ARM	LS1066543	DEFLECTOR PLATE	LS1069002	ABRASION RESISTANT UPPER LINER, 1/4"
LS1065418	ROLLER-LOWER SHAFT	LS1066669	CROSSWIND J SCREEN WELDMENT	LS1069004	LOWER ELEVATOR LINER, HD
LS1065486	LH WEAR PLATE	LS1066679	HANDLE WELDMENT	LS1069103	LH SPRAY NOZZLE MOUNT WELD.
LS1065488	RH WEAR PLATE	LS1066695	LOOP WELDMENT	LS1069106	RH SPRAY NOZZLE MOUNT WELD.
LS1065565	BRK - RAD SUPPORT	LS1066759	HOPPER CURTAIN		
LS1065618	BEARING PLATE	LS1066818	FRONT CASTER MOUNT WELDMENT		

GET MORE INFORMATION: CALL 800.543.6161 • EMAIL SALES@LACAL.COM

ALL PARTS ARE GUARANTEED TO MEET WITH YOUR APPROVAL. Lecal Equipment is in no way implying that any of our products are original equipment parts. All original equipment manufacturer's names, drawings, colors and part numbers are used for identification purposes only.

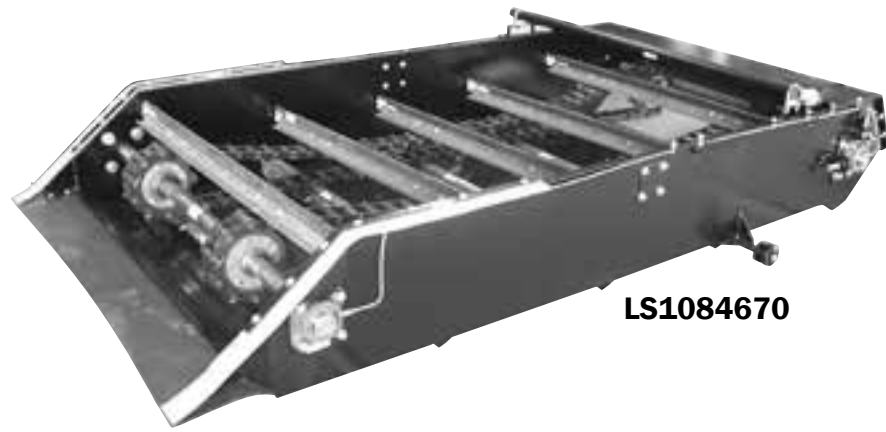
This Is Just A Sample of Our Most Popular Parts • Additional Parts Available

ELGIN	ELGIN	ELGIN			
LS1069357	LH BROOM COVER SIDE	LS1073427	BLOWER HOUSING & IMPELLER ASSEMBLY, MV	LS1076976	U-BOLT W/ NUTS & WASHERS
LS1069358	RH BROOM COVER SIDE	LS10734271	BLOWER HOUSING & IMPELLER ASSEMBLY, MV	LS1077129	STEP COVER PANEL
LS1069366	REAR BROOM ROD WELDMENT	LS1073430	DIFFUSER LIST WELDMENT	LS1077482	LOWER DIRT DEFLECTOR
LS1069497	FSO-HOPPER DOOR LOCK KIT	LS1073432	DIFFUSER DOOR WELDMENT	LS1077684	LH CASTER MOUNT, WELDMENT
LS1069785	HOPPER DOOR WELDMENT	LS1073978	RH LIFT CAM ASSEMBLY	LS1077686	RH CASTER MOUNT WELDMENT
LS1069981	HOSE W/4" CUFFS, 13" x 64"	LS1073980	LH LIFT CAM	LS1078006	M.B. DIRT DEFLECTOR KIT
LS107001	ARM WELDMENT	LS1074079	AIR CLEANER, 9" DIA.	LS1078011	ELEVATOR FRAME W/LINERS
LS1070024	MANIFOLD MOUNTING PLATE	LS1074584	LOWER MAIN BROOM ARM	LS1078064	LH DRAWBAR WELDMENT
LS1070252	CONVEYOR SEAL	LS1074586	PIN-. 75D CYLINDER	LS1078123	BEARING W/CAP & ZERK
LS1070269	EXTENSION DEFLECTOR	LS1074587	CYLINDER PIN	LS1078135	FSX CASTER ASSEMBLY KIT
LS1070405	LH NOZZLE RET. BRACKET WELD.	LS1074596	M.B. HUB SPINDLE ADAPTOR	LS1078269	FSO-SUB FR TIE DOWN
LS1070407	RH NOZZLE RET. BRACKET WELD.	LS1074597	MAIN BROOM ASSY. NP P	LS1078337	RH DIRT SHOE WELDMENT
LS1070419	LH SIDE PLATE	LS1074645	SPACER	LS1078354	RBR-MODIFIED DIRT SHOE
LS1070420	RH SIDE PLATE	LS1074755	CONVEYOR FRAME	LS1078606	LINK ARM
LS1070498	HOPPER PIVOT PIN	LS1074846	LH CONVEYOR TAKE-UP	LS1078688	RH M.B. COVER END PLATE
LS1070680	HOPPER SUB FRAME	LS1074858	LH TOW BRACKET WELDMENT	LS1078689	LH M.B. COVER END PLATE
LS1070710	SCISSORS ROLLER	LS1074859	RH TOW BRACKET WELDMENT	LS1078692	RH MAIN BROOM STRUT
LS1070732	ROLLER SHAFT	LS1074862	TOW BAR	LS1078693	LH REAR BROOM STRUT
LS1070784	RH CONV. CURTAIN WELDMENT	LS1074882	CONVEYOR MOTOR MOUNT	LS1078741	CONVEYOR COVER SUPPORT
LS1070786	LH CONV. CURTAIN WELDMENT	LS1074903	DIRT SHOE PIVOT PIN	LS1078744	M.B. COVER WELDMENT
LS1070787	PL-BOTTOM COVER	LS1074933	PELICAN NP/NS CONVEYOR ASSY.	LS1078765	CROSSWIND "J" IMPELLER
LS1070854	LH NOZZLE BRACKET WELDMENT MNT	LS10749331	PELICAN NP/NS CONVEYOR ASSY. W/GREASABLE DIRT SHOE KIT	LS1078768	COVER HOLD-DOWN TUBE
LS1070856	RH NOZZLE BRACKET WELD. MNT	LS1074940	TOW BAR ASSEMBLY	LS1078774	IDLER SUPPORT ASSEMBLY
LS1070969	BEACON GUARD WELDMENT	LS1074947	M.B. MOTOR MOUNT ARM ASSY.	LS1078903	PILLOW BLOCK BEARING
LS1070981	FAN PULLEY	LS1074948	M.B. MOTOR MOUNT ARM WELD.	LS1078915	RH LOWER DEFLECTOR ASSY.
LS1070995	FAN PULLEY	LS1074977	UPPER CONVEYOR ROLLER	LS1078916	LH LOWER DEFLECTOR ASSY.
LS1071019	CLEVIS PIN W/COTTER PIN	LS1075012	RH UPPER CONV DEFL	LS1079055	COVER, USED IN FRONT & MAIN BROOM
LS1071074	LH DOOR FRAME	LS1075096	MAIN BROOM DRIVE HUB	LS1079172	END CLOSURE FLAP
LS1071075	RH DOOR FRAME	LS1075153	SPACER	LS1079275	LH REAR PLATE
LS1071162	UPPER ROLLER CONVEYOR	LS1075261	ACCESS DOOR	LS1079276	RH REAR PLATE
LS1071232	SCREEN	LS1075286	CONVEYOR MOTOR	LS1079450	AXLE STOP BUMPER
LS1071493	LH TOWBAR BRACKET KIT	LS1075290	UPPER SEAL	LS1079895	LH ACTUATOR TILT MOUNT WELDMENT
LS1071494	RH TOWBAR BRACKET KIT	LS1075302	LOWER DIRT DEFL. KIT	LS1079901	PL-ACTUATOR PIVOT
LS1071514	LH TOWBAR BRACKET	LS1075534	RH S.B. SUPPORT WELDMENT	LS1080013	COVER-CONVEYOR
LS1071515	RH TOWBAR BRACKET	LS1075617	RH SIDE BROOM PIVOT	LS108006	ROD END PIN
LS1071576	LH DEFLECTOR WELDMENT	LS1075625	LH SIDE BROOM PIVOT WELDMENT	LS1080096	GUTTER BROOM PLATE
LS1071795	RH DEFLECTOR WELDMENT	LS1075635	HOPPER REST PAD	LS108019	HOPPER DUST COVER
LS1072245	REAR FENDER	LS1075742	RH SIDE PLATE	LS10801991	TOP SEAL BRACKET
LS1072349	UPPER SHUTTER SEAL	LS1075743	LH SIDE PLATE	LS1080206	LIFT ARM
LS1072350	LOWER SHUTTER SEAL	LS1075829	DIRT SHOE RUNNER (BORON)	LS1080270	PUMP MT WELDMENT
LS1072352	SHUTTER SEAL KIT	LS1076081	RH DRAWBAR WELDMENT	LS1080404	RH ACTUATOR TILT MOUNT WELDMENT
LS1072707	HOPPER PIVOT PIN	LS1076433	PIVOT PIN WELDMENT	LS1080578	LH DIRT SHOE ASSEMBLY
LS1072708	PIVOT PIN	LS1076450	LH GUTTER BROOM PIVOT WELD.	LS1080579	RH DIRT SHOE ASSEMBLY
LS1072710	PIN	LS1076451	PIVOT BRACKET	LS108083	LIFT CYL ROD END PIN
LS1072714	PIVOT PIN WELDMENT	LS1076468	LH SUPPORT WELDMENT	LS1081018	CLAMP PLATE
LS1072816	CURTAIN	LS1076470	RH WELDMENT-EXT SUPPORT	LS1081037	TILT ARM
LS1072817	CURTAIN	LS1076594	RDTR/OCLR-JD 49/64HP	LS1081100	LIFT & TRANSPORT CHAIN
LS1072819	CURTAIN	LS1076644	G.B. LINK ASSEMBLY	LS1081229	MOUNTING ANGLE
LS1072837	M.B. PIVOT SHAFT	LS1076653	LH G.B. WELDMENT PIVOT	LS1081461	FSO IMPELLER REPLACEMENT KIT
LS1072895	DIRT HOPPER	LS1076660	G.B. PIN WELDMENT, 1"	LS1081469	BALANCED IMPELLER
LS1073004	PILLOW BLOCK GUIDES	LS1076665	RH G.B. WELDMENT PIVOT	LS1081530	IMPELLER
LS1073034	LOWER CONVEYOR COVER	LS1076726	STEP SUPPORT WELDMENT	LS1081602	TAPER LOCK BUSHING
LS1073191	CURTAIN				

GET MORE INFORMATION: CALL 800.543.6161 • EMAIL SALES@LACAL.COM

ALL PARTS ARE GUARANTEED TO MEET WITH YOUR APPROVAL. Lecal Equipment is in no way implying that any of our products are original equipment parts. All original equipment manufacturer's names, drawings, colors and part numbers are used for identification purposes only.

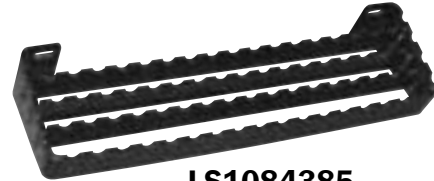
This Is Just A Sample of Our Most Popular Parts • Additional Parts Available



LS1084670



LS1082027



LS1084385

CATALOG KEY

Lacal Equipment's Sweeper Parts Item Numbers consist of the prefix "LS" (for "Lacal Sweeper") followed by the part number.

OUR COMMON ABBREVIATIONS:

- M.B. = MAIN BROOM
- C.B. = CENTER BROOM
- S.B. = SIDE BROOM
- G.B. = GUTTER BROOM
- BAH = BROOM ASSISTED HEAD
- HD = HEAVY DUTY
- S.S. = STAINLESS STEEL
- RH = RIGHT HAND
- LH = LEFT HAND
- ASSY = ASSEMBLY
- MNT / MTG = MOUNT / MOUNTING
- GEO = GUTTERBROOM EXTENSION OVERRIDE
- HYD = HYDRAULIC
- TH = THICK
- BRKT = BRACKET
- KT = KIT
- W/ (AND W/O) = WITH (AND WITHOUT)
- CYL = CYLINDER
- ABO = ADJUSTABLE BLAST ORIFICE
- ELEV = ELEVATOR
- CONV = CONVEYOR
- WELD = WELDMENT
- HDW = HARDWARE
- STD = STANDARD
- P.U. / P.U.H. = PICKUP / PICKUP HEAD
- UHMW = ULTRA-HIGH MOLECULAR WEIGHT
- SYS = SYSTEM
- PWR / MAN = POWER / MANUAL
- S/N = SERIAL NUMBER

ELGIN

- LS1081603 TAPER LOCK BUSHING
- LS1081686 MAGNET BRACE WELDMENT
- LS108200 RH DOOR CYLINDER BRACKET
- LS1082027 RH M.B. UPPER ARM
- LS1082030 LH M.B. LIFT ARM
- LS1082048 LOWER ROLLER DEFLECTOR
- LS1082309 RH MIRROR MOUNT WELDMENT
- LS1082310 LH MIRROR MOUNT WELDMENT
- LS1082332 DIFFUSER DOOR WELDMENT
- LS1082386 CHEVRON BELT FOR NP, 48" x 13.08'
- LS1082387 CHEVRON BELT FOR MODEL P, SE, PW, 48" x 13.58'
- LS1082388 CHEVRON BELT 48" x 18' PRE-PUNCH
- LS1083023 FIBER GUARD WELDMENT-FW
- LS1083365 ELEVATOR ROLLER SUB ASSEMBLY
- LS1083527 MOTOR MOUNT
- LS1083530 CHAIN COVER WELDMENT
- LS1083580 SHUTTER WELDMENT
- LS1083653 BRACKET
- LS1083688 SCRAPER RETAIN WELDMENT
- LS1083824 LOWER DEFLECTOR PANEL
- LS1083892 TANK SUPPORT WELDMENT
- LS1083942 UPPER ELEVATOR LINER
- LS1083956 HOPPER SEAL
- LS1083957 HOPPER SEAL
- LS1084032 REAR COMPARTMENT - WELDMENT
- LS1084135 SEAL, TANK SIDE, 62-1/2"
- LS1084159 D-SEAL, 63-3/4"
- LS1084160 WEATHERSTRIP, 2" x 64-3/8"
- LS1084207 FRAME WELDMENT
- LS1084227 ELEV. MOUNTING LINK (H LINK)
- LS1084233 PIN WELDMENT
- LS1084240 ELEVATOR LIFT PIN WELDMENT

ELGIN

- LS1084385 CAB STEP WELDMENT
- LS1084389 RH LOWER STEP WELDMENT
- LS1084390 LH LOWER STEP WELDMENT
- LS1084407 LH CAB STEP WELDMENT
- LS1084420 BROOM ROTATION VALVE MOUNT
- LS1084421 MANIFOLD COVER PANEL
- LS1084431 UPPER ELEVATOR SHAFT (MOD)
- LS1084432 LOWER ELEVATOR SHAFT (MOD)
- LS1084442 FLIGHT ASSEMBLY
- LS1084443 CONVEYOR FLIGHT ANGLE
- LS1084444 RUBBER SQUEEGEE
- LS108444U POLY SQUEEGEE
- LS1084445 RETAINER BAR
- LS1084555 FSO-HOPPER SEAL KIT
- LS1084576 11 FLIGHT ELEVATOR CHAIN-79P
- LS1084579 COVER-HYDRAULIC MANIFOLD
- LS1084580 LH REAR COMPARTMENT DOOR
- LS1084581 RH REAR COMPARTMENT DOOR
- LS1084635 CONVEYOR BRG. PLATE WELD.
- LS1084636 MOTOR MTG. PLATE WELDMENT
- LS1084670 ELEVATOR ASSY. - CHAIN DRIVE
- LS1084800 BROOM BEAR ELEV. ASSEMBLY (START H-1826)
- LS1084898 PUMP/VALVE ASSEMBLY
- LS1084905 PUMP MOUNTING WELDMENT
- LS1084924 SPRAY BAR
- LS1084941 DOOR LOCK TAB, REAR
- LS1085026 STRIP WEAR GUARD, FT
- LS1085027 STRIP WEAR GUARD, RR
- LS1085180 BRISTLE GUARD
- LS1085183 BROOM CORE WELDMENT
- LS1085184 MAIN BROOM CORE ASSY.
- LS1085649 BAFFLE-CONVEYOR DIRT
- LS1085651 CONVEYOR BAFFLE CLAMP
- LS1085689 HOPPER REST PAD

GET MORE INFORMATION: CALL 800.543.6161 • EMAIL SALES@LACAL.COM

ALL PARTS ARE GUARANTEED TO MEET WITH YOUR APPROVAL. Lacal Equipment is in no way implying that any of our products are original equipment parts. All original equipment manufacturer's names, drawings, colors and part numbers are used for identification purposes only.

This Is Just A Sample of Our Most Popular Parts • Additional Parts Available

ELGIN

- LS1085712 MAIN BROOM KIT
- LS1085788 WELDMENT-DOOR PROP STOP
- LS1085826 TURNBUCKLE, 1" UNC - 8.28"
- LS1086169 LUBE FTG BULKHEAD WELDMENT
- LS1086311 INSP-BODY COLOR DOOR
- LS1086375 RUBBER ISOLATION
- LS1086462 VALVE COVER
- LS1086646 LH BEACON MOUNT WELDMENT
- LS1086665 RH BEACON MOUNT WELDMENT
- LS1086737 PIVOT SHAFT CLAMP
- LS1086818 MAIN BROOM COVER TOP
- LS1087115 LH ELEV. STOP WELDMENT
- LS1087117 RH ELEV. STOP WELDMENT
- LS1087156 M.B. COVER ASSEMBLY
- LS1087214 MAIN BROOM COVER BOTTOM
- LS1087694 BAR-ELEV STIF
- LS1088011 RH STEP WELDMENT, CAB
- LS1088199 B.H.C.S., 1/4-20 x 1.00, S.S.
- LS1088272 CENTER DRAG ANGLE
- LS1088273 DRAG BROOM WELDMENT-HNGR
- LS1088471 COVER SUPPORT WELDMENT
- LS1088475 FRONT COVER WELDMENT
- LS1088477 LH COVER WELDMENT
- LS1088479 RH COVER WELDMENT
- LS1088508 MOTOR MOUNT
- LS1088525 SIDE BROOM LINK W/BUSHINGS
- LS1088576 RH DOOR STOP WELDMENT
- LS1088580 HOPPER MOUNTED LICENSE BRKT
- LS1088792 FILL/FILTER MOUNT
- LS1089324 SOCKET SCREW (GRADE 8)
- LS1089417 ASSY-ARM, MAIN BOOM CS
- LS1089568 FSO CAB DOOR HINGE KIT
- LS1089679 UPPER HOUSING W/LINATEX (J)
- LS1089757 FSO-PELICAN M.B. ARM WEIGHTS
- LS109001 TOP SINGLE SCISSORS
- LS109002 BOTTOM SINGLE SCISSORS
- LS109003 BOTTOM DOUBLE SCISSORS
- LS109004 TOP DOUBLE SCISSORS
- LS109005 SLIDER BLOCK (BR. BADGER)
- LS109010 SHAFT
- LS109029 SHORT PIN
- LS1090510 LH TURNBUCKLE
- LS1090512 RH TURNBUCKLE
- LS1090562 CONVEYOR COVER SUPPORT
- LS1090832 RH INSIDE PROP WELDMENT
- LS1090833 LH INSIDE PROP WELDMENT
- LS1090836 RH OUTSIDE PROP WELDMENT
- LS1090837 LH OUTSIDE PROP WELDMENT
- LS1090917 DRAG SHOE ARM
- LS1090918 DRAG SHOE ARM
- LS1091483 PIN WELDMENT
- LS1091668 VERTICAL DEFLECTOR PANEL
- LS1091696 LH LIFT ARM WELDMENT
- LS1091804 RH LIFT ARM WELDMENT

ELGIN

- LS1091854 RH SUPPORT WELDMENT
- LS1091855 LH SUPPORT WELDMENT
- LS1091877 BUMP STOP MOUNT
- LS1092010 RH S.B. PIVOT ASSEMBLY
- LS1092011 LH S.B. PIVOT ASSEMBLY
- LS1092054 LH CONV. DEFLECTOR, LOWER
- LS1092055 RH CONV. DEFLECTOR, LOWER
- LS1092781 SPACER
- LS1093025 MOTOR PIVOT CHANNEL
- LS1093036 CLEVIS BOSS WELDMENT
- LS1093265 UPPER FAN HOUSING W/LINATEX (MV)
- LS1093278 RH HOPPER DOOR LATCH
- LS1093279 LH HOPPER DOOR LATCH
- LS1093282 LATCH PIVOT ADAPTER WELDMENT
- LS1093283 LATCH PIVOT ADAPTER WELDMENT
- LS1093284 HOPPER LATCH CAM PLATE
- LS1093347 FSO-HPR DOOR LATCHES
- LS1093348 FSO-UPPER DIRT DEFLECTOR KIT
- LS1093351 PIVOT CYLINDER REAR WELDMENT
- LS1093352 TANK SIDE SEAL
- LS1093353 HOPPER SIDE SEAL
- LS1093357 RH UPPER DIRT DEFLECTOR
- LS1093360 HOPPER CLOSURE FLAP
- LS1093470 BRG-POLY
- LS1093540 GUTTER BROOM LINK
- LS1093565 HYD. CYLINDER ASSY. 2.0/2.08
- LS1093618 TAPERED HOPPER PIVOT PIN
- LS1093619 LIFT ARM PIVOT PIN
- LS1093620 DIRT HOPPER WELDMENT
- LS1094339 REAR COVER PANEL
- LS1094412 DOOR HINGE WELDMENT
- LS1094580 CHAIN COVER WELDMENT
- LS1094626 LOWER FAN HOUSING W/LINATEX (MV)
- LS1094734 LOWER FAN HOUSING W/LINATEX (J)
- LS1095441 G.B. LINK ASSEMBLY
- LS1095982 TOW BAR PIVOT PIN
- LS1095987 RH S.B. PIVOT ASSEMBLY
- LS1095988 LH S.B. PIVOT ASSEMBLY
- LS1095994 RH DIRT SHOE ASSEMBLY
- LS10959941 RH PELICAN CARB DIRT SHOE ASSEMBLY

ELGIN

- LS1095995 LH DIRT SHOE ASSEMBLY
- LS1096008 NP TOW BAR ASSEMBLY
- LS1096034 RUBBER HOPPER LOWER SEAL
- LS1096038 G.B. LINK ASSEMBLY
- LS1096146 CURTAIN-S.B.
- LS1096159 RH DIRT SHOE ASSY., GREASABLE
- LS1096160 LH DIRT SHOE ASSY., GREASABLE
- LS1096161 RH DIRT SHOE WELDMENT
- LS1096162 LH DIRT SHOE WELDMENT
- LS1096163 MOD DIRT SHOE RUNNER
- LS1096368 PIVOT PIN
- LS1096857 LOWER CONVEYOR SHAFT
- LS1096860 HUB
- LS1096862 MOTOR BRACKET
- LS1096863 RH TAKE-UP WELDMENT
- LS1096866 TAKEUP GUIDE
- LS1096873 85P/11FLT. JE3538
- LS1096874 RUBBER-ELEV TRAY BOT
- LS1096879 ELEVATOR LIFT BEAM WELDMENT
- LS1096881 LIFT BEAM SPINDLE PIN
- LS1097071 CONVEYOR LIFT BEAM ASSEMBLY
- LS1097386 GREASEABLE DIRT SHOES KIT
- LS1097600 WASHDOWN SPRAYER WELDMENT
- LS1097637 CONVEYOR COVER
- LS1097724 TOWBAR LINK ASSEMBLY
- LS1097726 MOTOR MOUNT ARM WELDMENT
- LS1097727 M.B. MOTOR MOUNT ASSEMBLY
- LS1097728 DIRT SHOE TOW PIN
- LS1097732 LH DIRT SHOE WELDMENT
- LS1097784 WELDMENT TANK CRADLE H
- LS1097882 TORQUE ARM SPACER
- LS1097883 LH DIRT SHOE ASSEMBLY
- LS1097885 RH DIRT SHOE WELDMENT
- LS1097886 RH DIRT SHOE ASSEMBLY
- LS1097896 RH LIFT BROOM ARM
- LS1097900 LH LIFT ARM (HYD. SUSPENSION)
- LS1097901 TORQUE ARM SPINDLE
- LS1097902 LH BROOM ARM ASSEMBLY
- LS1097903 M.B. BEARING MOUNTING PLATE
- LS1097905 CORE SPINDLE WELDMENT
- LS1097985 SIDE SUPPORT WELDMENT
- LS1098047 REAR COVER SUPPORT
- LS1098051 MOUNT
- LS1098053 REAR RUBBER COVER
- LS1098168 RH CONV. TAKEUP WELDMENT
- LS1098417 LH TAKE-UP WELDMENT
- LS1098422 LH TAKE-UP GUIDE
- LS1098726 ACCESS DOOR
- LS1099335 ELEVATOR DIRT DEFLECTOR KIT
- LS1099338 LOWER CLAMP CHANNEL WELD.
- LS1100274 RH TRANS EYE BRACKET
- LS1100409 LH G.B. PIVOT WELDMENT
- LS1100410 RH G.B. PIVOT WELDMENT
- LS1100435 FRONT DOOR HINGE

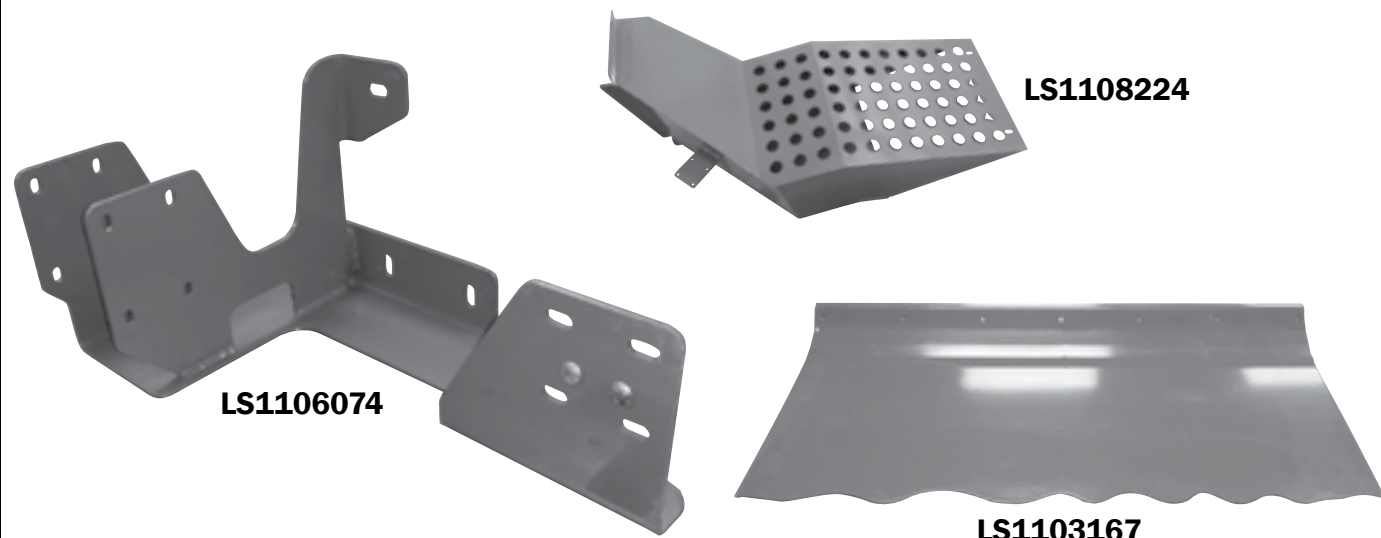
WAIT... I DON'T SEE THE PART I NEED!

Call 800.543.6161 to access our entire inventory of parts. This catalog is only a portion of the quality replacement parts that Lacal Equipment offers!

GET MORE INFORMATION: CALL 800.543.6161 • EMAIL SALES@LACAL.COM

ALL PARTS ARE GUARANTEED TO MEET WITH YOUR APPROVAL. Lacal Equipment is in no way implying that any of our products are original equipment parts. All original equipment manufacturer's names, drawings, colors and part numbers are used for identification purposes only.

This Is Just A Sample of Our Most Popular Parts • Additional Parts Available



ELGIN		ELGIN	
LS1100449	BEACON MNT. SPRT CHAN WELD.	LS1103167	LOWER WEAR PLATE
LS1100480	BEACON GUARD	LS1103171	CLAMPING PLATE
LS1100488	BEACON MOUNT	LS1103173	MIDDLE WEAR PLATE
LS1100516	BEACON MOUNT PIVOT BRACKET	LS1103176	UPPER WEAR PLATE
LS1100604	LH TRANS EYE BRACKET	LS1103188	UPPER ELEVATOR SHAFT
LS1100695	RH DOOR HINGE SUPPORT	LS1103467	PELICAN DIRT HOPPER
LS1100855	RETROFIT KIT W/WATER PUMP	LS1103576	SIDE BROOM LINK WELDMNT
LS1100857	WATER PUMP, W/WIRE FITTINGS	LS1103632	HOPPER DOOR
LS1100881	SWING PIN STOP PLATE	LS1104167	COVER CLAMP PLATE
LS1100882	SWING PIN STOP PLATE SPACER	LS1105010	LOWER ROLLER WELDMNT
LS1101021	RH S.B. TILT WELDMNT	LS1105162	SIDE BROOM HUB
LS1101022	LH S.B. TILT WELDMNT	LS1105207	BEARING
LS1101078	RADIO PLATE	LS1105631	BELT SCRAPER
LS1101347	BEACON GUARD ASSEMBLY	LS1105827	CONVEYOR UPPER FLOOR
LS1101348	BEACON MOUNT & PIVOT BRACKET ASSEMBLY	LS1106072	BRACKET
LS1101614	WASHDOWN PIPE ASSEMBLY	LS1106074	MOUNT WELDMNT
LS1101787	SQ DRIVE ROLLER	LS1106114	UPPER SUPPORT BRACKET
LS1101870	HOPPER DOOR, 48" HOPPER	LS1106137	CONVEYOR HOUSING SIDE SEAL
LS1101875	HOPPER WELDMNT, 48"	LS1106792	TOW BAR MOUNTING PLATE
LS1102313	PL-RH SIDE TIP	LS1107575	LOWER CONVEYOR WELDMNT
LS1102316	LOWER ELEVATOR COVER	LS1107788	LH DIRT SHOE WELDMNT
LS1102418	ELEVATOR LIFT WELDMNT	LS1107789	RH DIRT SHOE WELDMNT
LS1102488	CENTER BOARD ASSEMBLY	LS1107793	TOW BAR FLANGE
LS1102535	ELEVATOR ASSY. (BR. BEAR)	LS1107798	SPACER
LS1102626	LOWER ELEVATOR SUPPORT ASSY.	LS1107811	CONVEYOR REAR SKIRT
LS1102644	COVER SEAL SHEET	LS1107819	CONVEYOR BELT SIDE SKIRT
LS1102682	VALVE GUARD SHEET	LS1107821	INNER CONV. SKIRT CLAMP WELD.
LS1102710	CONVEYOR MOTOR MOUNT	LS1107825	UPPER CLAMP
LS1102758	BEACON SUPPORT	LS1107826	SIDE SHOE CLAMP
LS1102796	SPACER	LS1107827	CONVEYOR SIDE SKIRT
LS1102797	VALVE GUARD SUPPORT PLATE	LS1107833	CONVEYOR FRONT SKIRT
LS1102837	FLANGE WASHER	LS1107837	CONV. FRONT SKIRT CLAMP PLATE
LS1102838	END RETAINER PLATE	LS1107838	CONV. SIDE SKIRT CLAMP PLATE
LS1103165	ELEVATOR FRAME WELDMNT	LS1108044	FRONT SPRAY BAR WELDMNT
		LS1108140	CONVEYOR CENTER BOARD

ELGIN	
LS1108143	CURTAIN
LS1108224	EXHAUST DUCT WELDMNT
LS1108377	RUBBER FLAP GUIDE
LS1108862	M.B. SPRAY GUIDE WELDMNT
LS1108866	MAIN BROOM SPRAY BAR
LS1109494	BEARING
LS1109506	SUSPENSION PIVOT PIN
LS1109509	LIFT CYLINDER LINK
LS1109527	HOSE BASKET MOUNT
LS1109531	RH S.B. PIVOT ASSEMBLY
LS1109532	LH SIDE BROOM PIVOT
LS1109535	RH REAR COVER PIVOT BRACKET
LS1109536	LH REAR COVER PIVOT BRACKET
LS1109539	ANCHOR SHACKLE
LS1109554	LH REAR COVER PIVOT MOUNT
LS1109562	RH REAR COVER PIVOT MOUNT
LS1109568	LH SUSPENSION ANCHOR
LS1109570	RH SUSPENSION ANCHOR
LS1109571	LH SUSPENSION LIFT EAR PLATE
LS1109575	LH PIVOT ASSEMBLY
LS1109576	RH PIVOT ASSEMBLY
LS1109578	LH M.B. LIFT ARM ASSEMBLY (SPRING SUSPENSION)
LS1109581	RH LIFT ARM ASSEMBLY
LS1109583	LH LIFT ARM (SPRING SUSPENSION)
LS1109590	SUSPENSION SPRING EYELET
LS1109616	LH SCRAPER MOUNT
LS1109617	RH SCRAPER MOUNT
LS1109622	LOWER ROLLER
LS111006	LICENSE PLATE MOUNTING BRACKET
LS1110079	CHAIN
LS1110426	TOOL BOX
LS1110427	TOOL BOX MOUNTING PLATE

GET MORE INFORMATION: CALL 800.543.6161 • EMAIL SALES@LACAL.COM

ALL PARTS ARE GUARANTEED TO MEET WITH YOUR APPROVAL. Lactal Equipment is in no way implying that any of our products are original equipment parts. All original equipment manufacturer's names, drawings, colors and part numbers are used for identification purposes only.

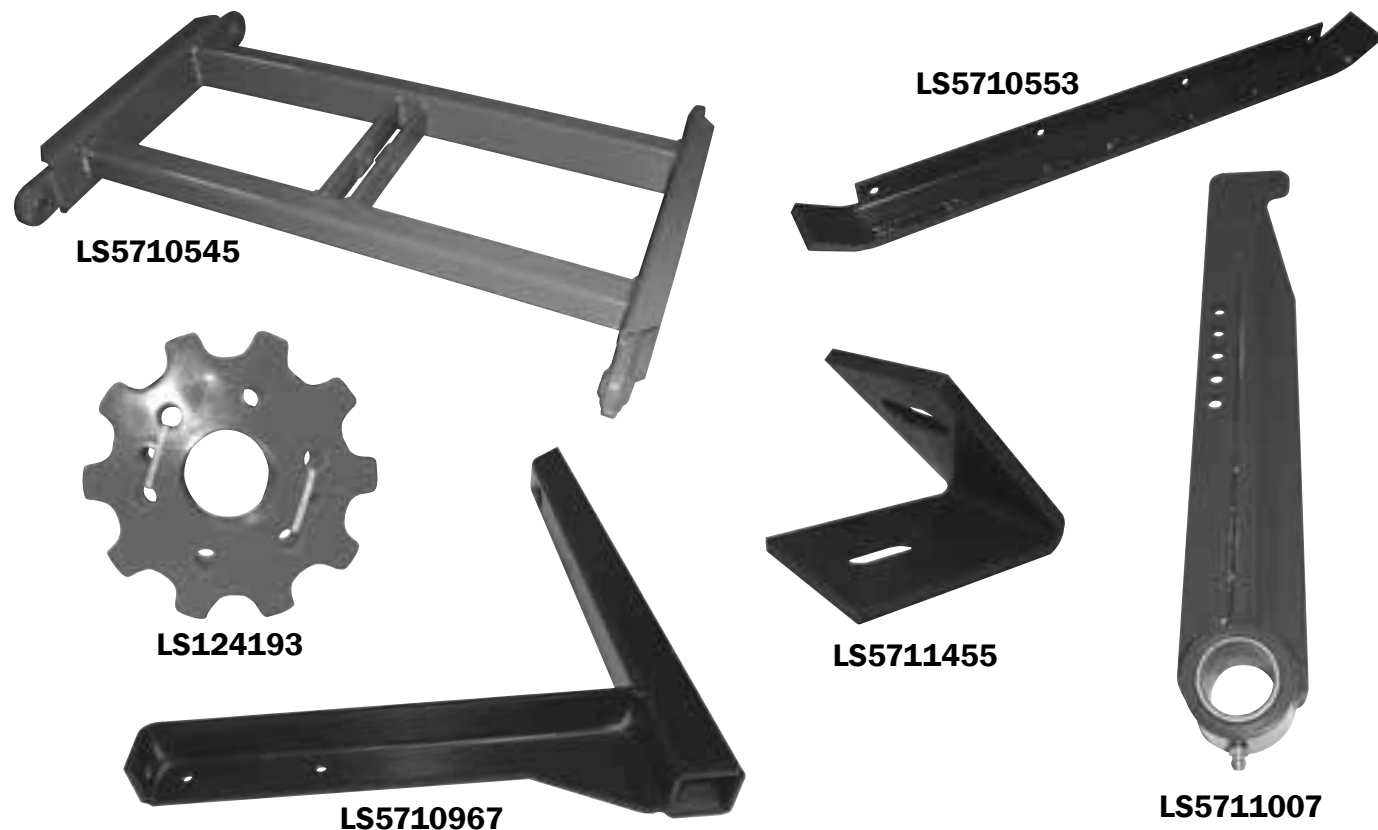
This Is Just A Sample of Our Most Popular Parts • Additional Parts Available

ELGIN		ELGIN		ELGIN	
LS1110428	TOOL BOX GUIDE CHANNEL	LS1120641	ELEV. DIRT DEFLECTOR WELDMNT	LS150670	ROD END PIN
LS1110429	TOOL BOX GUIDE	LS1120690	LH DIRT SHOE WELDMNT	LS150688	HOPPER TILT PIN
LS1110485	FLIGHT ASSEMBLY	LS1120691	DIRT SHOE ASSEMBLY	LS150879	COVER SEAL BRACKET
LS1110485ASSY	FLIGHT ASSY. W/CHAINS	LS1120693	RH DIRT SHOE WELDMNT	LS151798	RH CHANNEL MOUNT WELD.
LS1110486	RUBBER FLIGHT SQUEEGEE	LS1120694	DIRT SHOE ASSEMBLY	LS151873	RH TILT BRACKET WELDMNT
LS1110513	FLIGHT ANGLE CLAMP	LS1120708	ANG-CONV CYL. MOUNT GUSSET	LS151913	TORQUE ARM MOUNTING BRACKET
LS1110558	BUMP STOP SPACER	LS1120945	CONV. LIFT CYL. BRACKET WELD.	LS151990	HOPPER BOX
LS1110559	BUMP STOP SPACER	LS1121250	UPPER ELEVATOR SHAFT	LS152006	LH REAR CANOPY WELDMNT
LS1110619	CHAIN COVER	LS1121671	UPPER ROLLER WELDMNT	LS152253	TORQUE BRACKET
LS1110853	CYLINDER PIN	LS1121695	CONVEYOR FRAME WELD.	LS153250	SCISSORS LIFT ASSY. (BROOM BADGER)
LS1110943	ROLLER SADDLE PLATE	LS1121696	LH ENCLOSURE PLATE	LS153702	COLLAR CONVEYOR SHAFT
LS1110951	COVER	LS1121699	CONV. UPPER FLOOR WELDMNT	LS153704	UPPER SHAFT ASSEMBLY
LS1110989	RH COVER MOUNT	LS1121702	CONVEYOR LIFT WELDMNT	LS153705	UPPER SHAFT WELDMNT
LS1110990	LH COVER MOUNT	LS1121936	RH TWO ROW CARBIDE DIRT SHOE ASSEMBLY	LS154214	BRACKET CONVEYOR SHAFT
LS1111057	LOWER ELEVATOR SUPPORT	LS1121937	LH TWO ROW CARBIDE DIRT SHOE ASSEMBLY	LS154260	LH BEARING MOUNT PLATE
LS1111109	RUBBER FLAP GUIDE	LS1122247	RH COVER BRACKET	LS174176L	LH HINGE WELD. W/BUSHINGS
LS1111112	RH DIRT SHOE WELDMNT	LS1122249	LH COVER BRACKET	LS174176R	RH HINGE WELD. W/BUSHINGS
LS1111113	LH DIRT SHOE WELDMNT	LS1122259	LATCH SPACER PLATE	LS395763	DUST BACKUP SKIRT
LS1111114	RH DIRT SHOE ASSEMBLY	LS1122496	CONVEYOR SIDE SKIRT	LS3C196	WINDOW CHANNEL
LS1111114WOS	RH DIRT SHOE ASSY. W/O SHOE	LS1122517	PELICAN CONVEYOR CHAIN	LS4901906	DOOR SEAL - PER FOOT
LS1111115	LH DIRT SHOE ASSEMBLY	LS1124099	RH M.B. LIFT ARM WELD	LS5006957	1/4 x 11 NIPPLE
LS1111115WOS	LH DIRT SHOE ASSY. W/O SHOE	LS1125514	CONV. WASHDOWN PIPE ASSY.	LS5007042	YOKE PIN W/COTTER
LS1111131	TOOL BOX WELDMNT	LS1125923	MAIN BROOM REAR SUPPORT	LS5007070	COLD SHUT LINK
LS1111132	TOOL BOX STOP BRACKET	LS1126072	FLAP GUIDE ASSEMBLY	LS5007077	YOKE PIN & COTTER PIN
LS1111218	LH ELEVATOR DEFLECTOR MOUNT	LS1126134	RH CHASSIS SUPPORT WELD.	LS5007103	MAIN BROOM DRIVE CHAIN
LS1111219	RH ELEVATOR DEFLECTOR MOUNT	LS1126135	LH CHASSIS SUPPORT WELD.	LS5007185	PUSH-PULL SWITCH
LS1111242	UPPER ELEVATOR COVER	LS1126513	RH ENCLOSURE PLATE	LS5007249	SIDE BROOM CHAIN
LS1111305	TOWBAR PIVOT PIN	LS1126823	CONV. CHAIN COVER WELD.	LS5008467	S.B. SUSPENSION CABLE
LS1111539	SEAL CLAMP	LS1128072	M.B. REAR SUPPORT WELD.	LS5009056	BRASS NOZZLE
LS1111552	FSO-ELEV LOWER DEFLECTORS	LS1128083	UPPER CONV. COVER WELD.	LS5009057	BRASS SPRAY NOZZLE, 50-DEG.
LS1111851	CHANNEL MOTOR PIVOT WELD.	LS11402891	MAIN BROOM SPRAY BAR	LS5009477	LOWER ROLLER BEARING W/ZERK
LS1111861	LH FSO SIDE BROOM KIT	LS118034	TAILLIGHT MOUNTING BRACKET	LS5009507	RIVETED M.B. DRIVE CHAIN, #60
LS1111906	RH FSO SIDE BROOM KIT	LS119235	RH S.B. PIVOT WELDMNT	LS5010079	H.H.C.S, 5/8-11 x 6
LS1112537	CONVEYOR RETENTION PLATE	LS119247	LH DRAG SHOE STOP	LS5010129	STRAIGHT GREASE FITTING
LS1113689	LH SCISSOR MOUNT	LS119248	RH DRAG SHOE STOP BRACKET	LS501019	DUMP DOOR CYLINDER
LS1113704	S.B. SWING PIN STOP WELDMNT	LS119255	LH MAIN BROOM ARM	LS5010651	BRASS SPRAY NOZZLE, 80-DEG.
LS1113886	RH SCISSOR MOUNT	LS119285	MOTOR TORQUE BRACKET	LS5710233	RETAINER ANGLE
LS1114816	CHAIN-SINGLE LINK 1/4"	LS119693	SCISSORS ASSEMBLY	LS5710234	FLIGHT ANGLE
LS1115490	LONG CHUTE HOPPER ASSEMBLY	LS124193	10 T POLY SPROCKET (ALLIANZ)	LS5710391	LH SLIDE PLATE
LS1115693	REAR FRAME WELDMNT	LS150282	COMPLETE CONV. W/MOTOR	LS5710400	UPPER SHAFT ASSEMBLY
LS1115702	FRONT DEFLECTOR	LS150285	UPPER CONV. SHAFT ASSY.	LS5710401	UPPER ELEVATOR SHAFT
LS1115756	4MF M.B. ASSEMBLY	LS150286	LOWER SHAFT ASSEMBLY	LS5710406	LOWER SHAFT ASSEMBLY
LS1116279	LH DOOR HINGE SUPPORT	LS150287	WIPER ASSEMBLY	LS5710413	RH SLIDE PLATE
LS1116348	BEACON GUARD WELDMNT	LS150400	ROCKER ARM PIN	LS5710414	LOWER ELEVATOR SHAFT
LS1117245	24V LINEAR ACTUATOR	LS150513	RUBBER BAR CLAMP	LS5710419	LOWER LINER PLATE (LATE)
LS1117752	MANIFOLD MOUNT PLATE	LS150518	HOPPER SUBFRAME	LS5710419A	LOWER LINER PLATE (EARLY)
LS1117963	IDLER SUPPORT ASSEMBLY	LS150524	HOPPER HANDLE - LATCH	LS5710420	UPPER LINER PLATE
LS1118463	IDLER PULLEY ASSEMBLY	LS150527	DOOR HINGE PIN	LS5710430	ELEVATOR COVER
LS1118852	ADJUST IDLER PULLEY KIT	LS150555	HOPPER DOOR	LS5710440ASSY	RH LOWER SIDE PLATE
LS1118892	CONV. LOWER FLOOR WELDMNT	LS150559	INSPECTION DOOR	LS5710441ASSY	LH LOWER SIDE PLATE
LS1119741	CROSSWIND J FAN ASSEMBLY	LS150617	WATER PIPE	LS5710446	BROOM ARBOR
LS1120305	TOW BAR ASSEMBLY	LS150620	WATER PIPE	LS5710502	ELEV. SPROCKET W/BUSHING
LS1120566	RH DEFLECTOR WELDMNT	LS150668	PIN TILT CYLINDER	LS5710509	11 FLIGHT ELEV. CHAIN-83P
LS1120568	LH DEFLECTOR WELDMNT				

GET MORE INFORMATION: CALL 800.543.6161 • EMAIL SALES@LACAL.COM

ALL PARTS ARE GUARANTEED TO MEET WITH YOUR APPROVAL. Lactal Equipment is in no way implying that any of our products are original equipment parts. All original equipment manufacturer's names, drawings, colors and part numbers are used for identification purposes only.

This Is Just A Sample of Our Most Popular Parts • Additional Parts Available

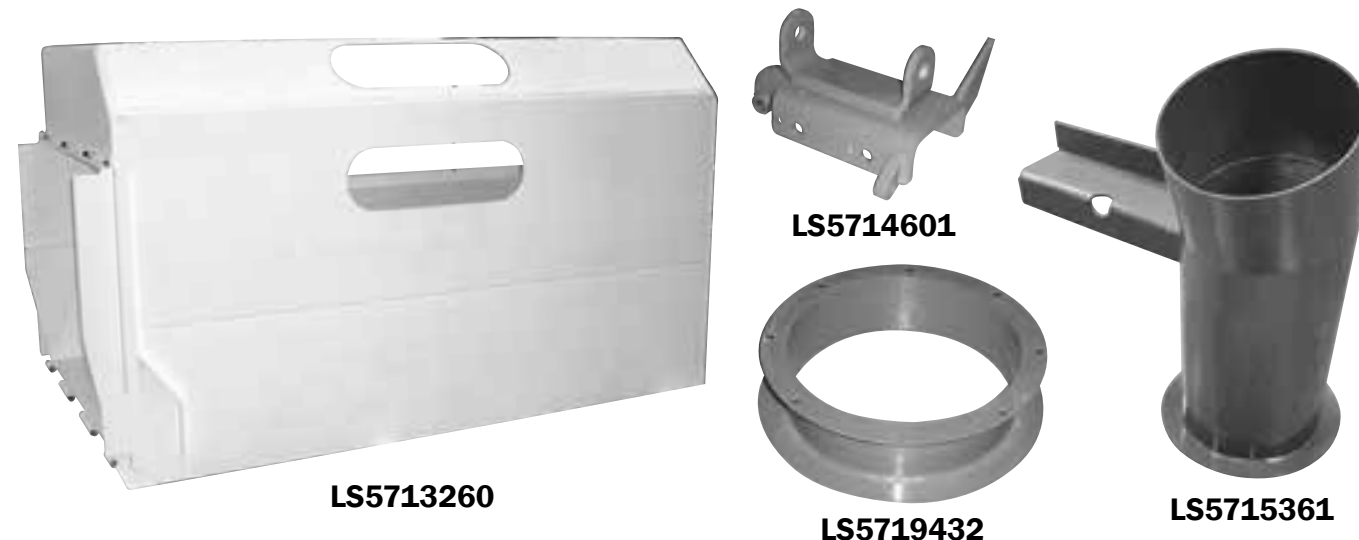


ELGIN		ELGIN		ELGIN	
LS5710515	ELEVATOR ASSEMBLY	LS5710919	RH G.B. MOUNT MOTOR	LS5711245	ELEVATOR CURTAIN
LS5710545	ELEV. MOUNTING LINK (H LINK)	LS5710920	LH S.B. MOTOR MOUNT	LS5711270	UPPER HOPPER DOOR (EARLY)
LS5710553	STD. DIRT SHOE	LS5710958	LIFT ARM PIN	LS5711434	LH SIDE DOOR STOP
LS5710621	SQUEEGEE	LS5710967	DEFLECTOR MOUNTING BRACKET	LS5711435	RH SIDE DOOR STOP
LS5710662	BROOM STRUT PIN	LS5710981	MAIN BROOM LIFT SHAFT	LS5711455	FENDER BRACE
LS5710690	REAR COMPARTMENT WELDMENT	LS5710995	LH M.B. PIVOT WELDMENT	LS5711457	LH FRONT END SPRAY BAR
LS5710720	LH REAR COMPARTMENT DOOR	LS5711005	SLEEVE BEARING	LS5711503	RH REAR FENDER
LS5710721	RH REAR COMPARTMENT DOOR	LS5711006	RH LIFT LEVER	LS5711504	LH REAR FENDER
LS5710741	RH COVER	LS5711007	LH LIFT LEVER	LS5711523	LH ROD END SPHERICAL
LS5710742	LH COVER	LS5711039	DIRT SHOE SUB-ASSEMBLY KIT	LS5711524	RH ROD END SPHERICAL
LS5710745	DIRT HOPPER, BR. BEAR (EARLY)	LS5711046	DRAG SHOE CROSS SHAFT	LS5711525	GUTTER BROOM TIE ROD
LS5710749	M.B. DRIVE CHAIN COVER	LS5711047	BROOM LIFT PIVOT WELDMENT	LS5711546	OUTER ELEVATOR DRAPE KEEPER
LS5710759	HOPPER DOOR HINGE PIN	LS5711052	LH DRAG SHOE PIVOT	LS5711548	MIDDLE ELEVATOR DRAPE KEEPER
LS5710770	GASKET	LS5711053	RH DRAG SHOE PIVOT	LS5711604	DRAPE
LS5710773	BROOM BEAR HOPPER SEAL	LS5711067	ELEVATOR DRIVE CHAIN	LS5711608	FRAME TIE DOWN
LS5710774	BROOM BEAR HOPPER SEAL	LS5711068	MAIN BROOM DRIVE CHAIN	LS5711611	TIE DOWN ANGLE
LS5710818	MAIN BROOM & CORE KIT	LS5711076	RETAINING STRIP	LS5711723	CENTERBOARD & MOUNTING KIT
LS5710819	REAR BROOM SPACER	LS5711083	AIR PRESSURE REGULATOR	LS5711858	MAIN BROOM LEAF CURTAIN
LS5710820	REAR BROOM SPACER	LS5711086	UM-TUBING, PVC-BRAID-REINFORCE	LS5711859	LEAF CURTAIN STIFFENER
LS5710821	REAR BROOM SPACER	LS5711162	REAR BROOM COVER ASSY.	LS5711860	LEAF CURTAIN RETAINER
LS5710845	REAR BROOM SPRING EYELET	LS5711176	HOPPER PIVOT PIN	LS5711862	SPRING CLIP
LS5710887	RH DOOR LATCH ANGLE	LS5711209	SPRAY NOZZLE TIP	LS5711863	SIDE-LEAF CURTAIN FLAP
LS5710908	RH G.B. TILT BRACKET	LS5711244	DRAG SHOE SEAL	LS5712001	RH MAIN BROOM PIVOT
LS5710909	LH G.B. TILT BRACKET			LS5712023	RH MAIN BROOM PIVOT WELD.

GET MORE INFORMATION: CALL 800.543.6161 • EMAIL SALES@LACAL.COM

ALL PARTS ARE GUARANTEED TO MEET WITH YOUR APPROVAL. Lecal Equipment is in no way implying that any of our products are original equipment parts. All original equipment manufacturer's names, drawings, colors and part numbers are used for identification purposes only.

This Is Just A Sample of Our Most Popular Parts • Additional Parts Available



ELGIN		ELGIN		ELGIN	
LS5712050	DRAG SHOE CABLE	LS5714718	LH SLIDE KEEPER	LS5718836	FAN-WELDMENT HOUSING
LS5712069	REAR BROOM SPACER	LS5714917	SEAL RETAINER	LS5718867	HOPPER DUMP DOOR
LS5713226	SEAL KIT	LS5714940	ELEVATOR MTG. CROSSMEMBER	LS5718927	LOCKING LATCH
LS5713260	DIRT HOPPER	LS5715019	FRONT CURTAIN RETAINER	LS5718960	AIRCUB CL DIRT HOPPER WELD.
LS5713262	HOPPER & DOOR ASSEMBLY	LS5715020	REAR CURTAIN RETAINER	LS5719334	RH SUCTION PICKUP HEAD WELD.
LS5713360	WATER TANK KIT	LS5715021	FRONT CURTAIN	LS5719421	AIR CUB PICKUP HEAD
LS5713412	PROXIMITY SENSOR	LS5715022	REAR CURTAIN	LS57194211	P.U.H. ASSY. W/CURTAINS, SKIDS
LS5713414	TOP LATCH PLATE	LS5715023	MIDDLE CURTAIN	LS5719432	SUCTION TUBE WELDMENT
LS5713455	PROXIMITY SENSOR	LS5715214	SPACER HINGE	LS5719433	INLET TUBE WELDMENT
LS5713469	DUST SHIELD	LS5715216	REAR TOOLBOX DOOR	LS5719589	LH TOOLBOX
LS5713470	DUST SHIELD	LS5715230	RUBBER FAN HOUSING LINER	LS5719591	RH TOOLBOX
LS5713662	SPRAY-ELEV. NOZZLE	LS5715237	ARM DAPER ADJUSTMENT	LS5719817	PRESSURE SLOT CURTAIN
LS5713665	SPRAY-ELEV. FLUSHER BAR	LS5715260	TOOLBOX TIE BAR	LS5719933	AIR CUB PICKUP HEAD ASSEMBLY
LS5713706	SWITCH SUPPORT	LS5715361	TUBE WELDMENT (AIR CUB)	LS57199331	AIR CUB BASIC P.U.H. ASSEMBLY
LS5713711	HOPPER FULL SWITCH MOUNT	LS5715717	SUCTION HOSE WELDMENT	LS5780278	ADAPTER, 90-DEG. ADJ ELL
LS5713756	PIPE NIPPLE	LS5715719	LH SUCTION TOP DOOR	LS6200258	REAR SPRAY BAR
LS5713761	STD. ELEV. FRAME W/LINERS	LS5715727	DUMP LIP RETAINER	LS6200275W	CONVEYOR ROLLER SCRAPER
LS57137612	STD. ELEV. FRAME W/O LINERS	LS5715728	RUBBER DUMP LIP	LS6200478W	G.B. TURNBUCKLE WELDMENT
LS57137613	ELEVATOR FRAME W/EARLY LINER	LS5715732	DUMP DOOR HINGE	LS6200527W	CENTER DRAG SHOE HANGER
LS57137614	ELEVATOR FRAME W/EARLY LINER	LS5716538	HOPPER SCREEN	LS6200578W	RH G.B. MOTOR MOUNT
LS5713960	FENDERS SHIM	LS5716826	MAIN BROOM SPACER	LS6200579W	LH G.B. MOTOR MOUNT
LS5713978	LH MOTOR PIVOT KIT	LS5716913	LH SUCTION DEFLECTOR, CL	LS6200582W	ADJUSTMENT BOLT
LS5713979	RH MOTOR PIVOT KIT	LS5717023	LH TOOLBOX SIDE DOOR	LS6200594W	FLIGHT ASSEMBLY, BELT
LS5713981	GUTTER BROOM LINK	LS5717024	RH TOOLBOX SIDE DOOR	LS6200616W	LH G.B. PIVOT MOUNT WELDMENT
LS5713983	RH G.B. MOTOR MOUNT	LS5717362	WANDER HOSE HOPPER DOOR	LS6200617W	RH G.B. PIVOT MOUNT WELDMENT
LS5713984	LH G.B. MOTOR MOUNT	LS5717744	REAR CURTAIN	LS6200619W	DIRT SHOE LIFT LINK
LS5714288	WATER PUMP BRACKET	LS5717745	MIDDLE CURTAIN	LS6200684W	ELEV. BEARING MOUNTING BRKT.
LS5714464	WATER SYSTEM VALVE (3 VALVES)	LS5717747	FRONT RETAINER	LS6200686W	ELEV. MOTOR MOUNTING BRKT.
LS5714465	VALVE, WATER SYS-QUAD	LS5717754	PRESSURE SLOT ANGLE WELD.	LS6200733W	RH G.B. BASE WELDMENT
LS5714581	RH G.B. MOTOR PIVOT	LS5718517	BACK CENTER PANEL	LS6200735W	LH G.B. BASE WELDMENT
LS5714582	LH G.B. MOTOR PIVOT	LS5718624	SUCTION TUBE WELDMENT	LS6200739WC	LONG HUB
LS5714601	LH SIDE BROOM PIVOT	LS5718662	DEFLECTOR LINER	LS6200789W	G.B. PIVOT WASHER WELDMENT
LS5714602	RH SIDE BROOM PIVOT	LS5718737	IMPELLER SHAFT	LS6200799W	CONVEYOR DRIVE PULLEY
LS5714606	SIDE BROOM LINK	LS5718792	LH CYLINDER HOUSING	LS6200810W	CONVEYOR FRAME W/LINERS
LS5714717	RH SLIDE KEEPER	LS5718802	DUMP DOOR BRACKET	LS6200831W	RH M.B. GUARD ASSEMBLY

GET MORE INFORMATION: CALL 800.543.6161 • EMAIL SALES@LACAL.COM

ALL PARTS ARE GUARANTEED TO MEET WITH YOUR APPROVAL. Lecal Equipment is in no way implying that any of our products are original equipment parts. All original equipment manufacturer's names, drawings, colors and part numbers are used for identification purposes only.

This Is Just A Sample of Our Most Popular Parts • Additional Parts Available



ELGIN

LS6200832W	LH M.B. GUARD ASSEMBLY
LS6200852W	LOWER DOOR HINGE PIN WELD.
LS6200854W	HOPPER PIVOT PIN WELDMENT
LS6200893W	SIDE PANEL
LS6200899W	CONVEYOR ROLLER WELDMENT
LS6200908W	MAIN BROOM GUARD PIN
LS6200909W	MAIN BROOM RUBBER GUIDE
LS6200937W	CONVEYOR DRIVE TOOTH
LS6200961W	M.B. GUARD STRAP, RUBBER
LS6200981W	CENTER HANGER DRAG STRAP
LS6200986W	DIRT SHOE CLAMP PLATE
LS6201432W	CROSS DRAG BRUSH CLAMP
LS6201586W	ELEVATOR COVER
LS6201903W	CONV. SWITCH BRACKET
LS6201915W	CONVEYOR HEIGHT ROLLER
LS6201927W	MAIN BROOM RUB STRAP
LS6201941W	HOPPER PROXIMITY PLATE
LS6201956W	LOWER CLAMP
LS6202052W	MAIN BROOM ACCESS DOOR
LS6202168W	LOWER CONVEYOR LINER PLATE
LS6202170W	UPPER CONVEYOR LINER PLATE
LS6202339W	G.B. SPRAY BAR TUBE
LS6203147W	PIVOT BUSHING
LS6203235W	RUBBER-CONV. TRAY BOTTOM
LS6204393W	HYDRAULIC MOTOR KEY
LS6204878W	BARBED ELBOW
LS6205189W	HOPPER/ELEVATOR SEAL
LS6206180W	SCISSOR PIVOT SHAFT
LS6206181W	CENTER SHAFT SCISSOR PIVOT
LS6206185W	SCISSOR ROLLER SHAFT
LS6206230W	SCISSOR SLIDE

ELGIN

LS6206231W	SLIDER BLOCK
LS6206232W	SCISSOR SLIDE BLOCK SPACER
LS6206246W	LH SIDE CLAMP
LS6206264W	LEVEL INDICATOR BRACKET
LS6206275W	HOPPER WALL SEAL
LS6206276W	RH SIDE CLAMP
LS6206317W	HOPPER DOOR PIN WELDMENT
LS6206323W	HOPPER SUPPORT PIVOT PIN
LS6206356W	SCISSOR LIFT ASSEMBLY
LS6206448W	ELEVATOR ASSEMBLY - BELT DRIVE
LS6206537W	HANGER CENTER DRAG FRONT
LS6206631W	ELEVATOR ROLLER KEEPER
LS6206738W	CONV. PIPE SPRAY BAR MNT. ASSY.
LS6206739W	RH DRAG ARM
LS6206740W	LH DRAG ARM
LS6206741W	MAIN BROOM ARM
LS6206753W	WELDMENT SHAFT CONVEYOR
LS6206763W	ELEVATOR CYLINDER PIN
LS6206790W	M.B. GUARD RETAINER
LS6206793	RUBBER DRAG SHOE REINFORCEMENT
LS6206804W	RH SIDE SHOE STOP
LS6206805W	LH SIDE SHOE STOP
LS6206806W	ARM-RUBBER FLEX
LS6206813W	M.B. GUARD, CURB SIDE
LS6206814W	M.B. GUARD, STREET SIDE
LS6206821W	LH MAIN BROOM ARM
LS6206825W	MAIN BROOM ARM PIN
LS6207075W	COLLAR
LS6207092W	M.B. HUB, 3 HOLE
LS6207121W	HOPPER GATE
LS6207134W	CORE W/STUBS & HUB
LS6207148W	HOPPER PIVOT PIN
LS6207149W	SLIDE BLOCK ASSEMBLY, SCISSOR
LS6207174W	HOPPER DUMP HYD. CYLINDER PIN

ELGIN

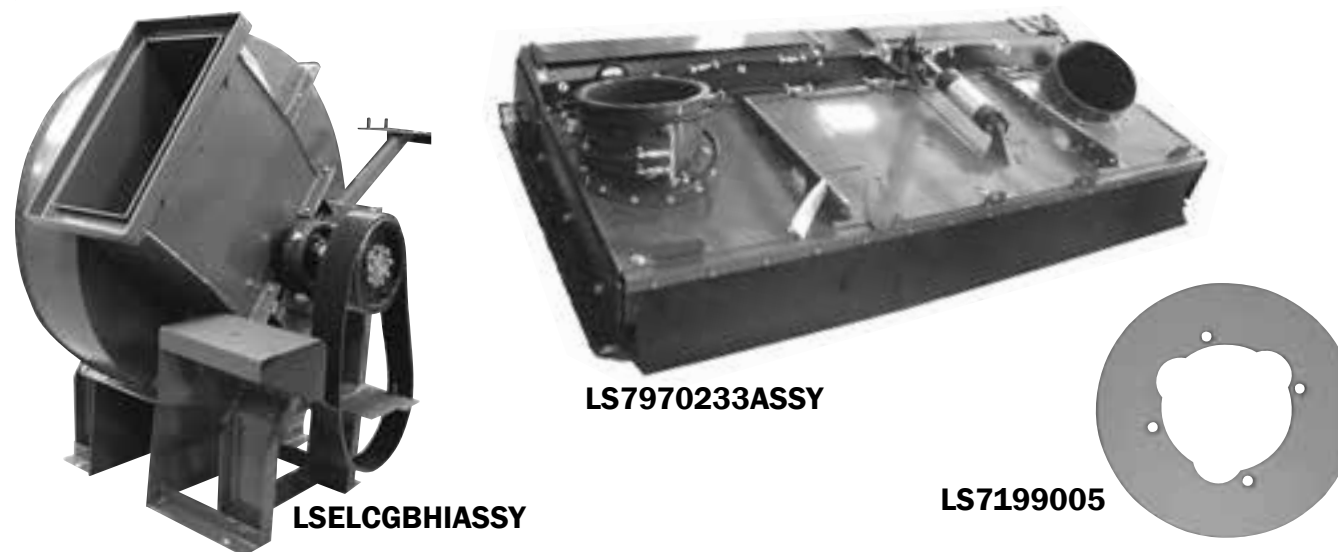
LS6207207W	CHAIN W/SQUEEGEE MOUNTS
LS6207356W	PULLEY, ASSY., DRIVE, CONVEYOR
LS6207402W	ELEVATOR WASHOUT PIPE
LS6207526W	SCISSOR CYLINDER SHAFT
LS6207702W	LH SIDE BROOM LIFT LINK
LS6207707W	RH SIDE BROOM LIFT LINK
LS6208035W	STUB SHAFT
LS6208046W	DRAG HANGER REPLACEMENT KIT
LS6208047W	CROSS DRAG WELDMENT
LS6208083W	HOPPER INSPECTION DOOR WELD.
LS620813W	MAIN BROOM GUARD, C.S.
LS620814W	LH MAIN BROOM GUARD
LS620833W	CONVEYOR ROLLER
LS6500614W	GREASE FITTING
LS650172	LH TOOL BOX SKIRT
LS7076232	OIL COOLER SHROUD
LS7078456	AXLE BOLT W/LOCK NUT, GR 8
LS7079719	TRANSFER FUEL PUMP JD
LS7171752	COIL
LS7173433	D CHAIN SHEAVE
LS7173547	FILTER
LS7174002	FUEL FILTER
LS7174376	INNER AIR FILTER
LS7174378	FUEL FILTER
LS7174392	FILTER
LS7174393	FILTER
LS7174397	OUTER AIR FILTER
LS7199004	SHAFT SCREW W/LOCKWASHER
LS7199005	FIBER GUARD
LS7271326	PUMP BASE WELDMENT
LS7372417	WIPER ARM
LS7372419	BUSHING
LS75393	SUBFRAME TUBE WELDMENT
LS7711545	3PC ELEVATOR DRAPE KIT
LS7970096	10x36 POLY WAFER BROOM

BE SURE TO CHECK OUT OUR SELECTION OF BROOMS BEGINNING ON PAGE 83 OF THIS CATALOG.

GET MORE INFORMATION: CALL 800.543.6161 • EMAIL SALES@LACAL.COM

ALL PARTS ARE GUARANTEED TO MEET WITH YOUR APPROVAL. Lecal Equipment is in no way implying that any of our products are original equipment parts. All original equipment manufacturer's names, drawings, colors and part numbers are used for identification purposes only.

This Is Just A Sample of Our Most Popular Parts • Additional Parts Available



ELGIN

LS7970163	CONV. SPROCKET & CHAIN KIT
LS7970173	CHEVRON 2 CLEAT SPICE KIT
LS7970174	2 CLEAT BELT SECTION
LS7970224	RH DIRT DEFL. W/TOW BAR
LS7970224C	RH DIRT DEFL. W/TOW BAR
LS7970225	LH DIRT DEFL. W/TOW BAR
LS7970225C	LH DIRT DEFL. W/TOW BAR
LS7970226	CONVEYOR MOTOR ASSEMBLY
LS7970233	PICKUP HEAD W/C.B. KIT
LS79702331	PICKUP HEAD KIT, BAH, "SHORT"
LS7970237	CENTER BROOM REPL. KIT
LS7970237ASSY	CENTER BROOM REPL. ASSY.
LS7970240	UPPER CONVEYOR HANGER KIT
LS7970241	LOWER CONVEYOR HANGER KIT
LS7970256	C'WIND FSX PICKUP HEAD ASSY.
LS7970316	M.B. COVER KIT, PLASTIC
LS7970317	M.B. COVER KIT W/LEAF CURTAIN
LS7970318	MAIN BROOM, COMPLETE KIT
LS79703181	MAIN BROOM, KIT
LS7970335	HOPPER CYL. PIVOT MOUNTING
LSAIRCUB1	AIRCUB CURTAIN SET
LSAIRCUB2	AIRCUB CURTAIN SET
LSBBBK2	LINER HDW. KIT, BROOM BEAR
LSBBMAXELK	BROOM BEAR MAXI KIT
LSBBMAXIK1	MAXI ELEV. KIT, BROOM BEAR
LSBBMINELK	BROOM BEAR MINI ELEV. KIT
LSBBMINELK1	BROOM BEAR MINI ELEV. KIT
LSBBMINELK3	BROOM BEAR MINI KIT
LSBBMINELK4	BROOM BEAR MINI KIT
LSBBMINIK2	BROOM BEAR MINI ELEV. KIT
LSEGA19	DR SHOE
LSEL1	DIRT SHOE SET
LSEL2	DIRT SHOE & BAFFLE STRIP SET
LSEL3	DIRT SHOE SET

ELGIN

LSEL4	DIRT SHOE SET
LSELCGBHIASSY	C'WIND BLOWER HOUSING & IMPELLER ASSEMBLY
LSELCJPUH	CROSSWIND J PICKUP HEAD
LSELCJPUH1	C'WIND J PICKUP HEAD ASSY.
LSELEAGLEOP	EAGLE OVERHAUL PACKAGE
LSELNPOP	PELICAN NP & NS OVERHAUL KIT
LSELNPPIN	PELICAN PIVOT PIN & BUSHING KIT
LSELPOP	PELICAN OVERHAUL KIT
LSELPOP1	PELICAN KIT
LSELPOP2	OVERHAUL KIT
LSELPOP3	OVERHAUL KIT
LSELPROP	PREMIER OVERHAUL PACKAGE
LSELPSEOP	SE OVERHAUL PACKAGE
LSESBLASSEMBLY1	LH EAGLE S.B. ASSEMBLY, POWER TILT
LSESBLASSEMBLY2	LH EAGLE S.B. ASSEMBLY, MANUAL TILT
LSESBRASSEMBLY1	RH EAGLE S.B. ASSEMBLY, POWER TILT
LSESBRASSEMBLY2	RH EAGLE S.B. ASSEMBLY, MANUAL TILT
LSGB	GREASE BRACKET
LSM1004446	SIDE CURTAIN
LSRSCMB	EAGLE REAR SIDE COWLING BRKT.
LSRWBK2	HDW. KIT, LINERS
LSRWMAXIK1	MAXI ELEVATOR KIT
LSRWMINIK2	MINI ELEVATOR KIT
LSSW40003	LH MOUNT BRACKET
LSSW40004	RH MOUNT BRACKET
LSTR	ROD
LSWTST	WATER TANK SUPPORT TUBE

PART NOT LISTED? CALL 800.543.6161 TODAY! LACAL HAS THOUSANDS OF ADDITIONAL PARTS AVAILABLE.

GET MORE INFORMATION: CALL 800.543.6161 • EMAIL SALES@LACAL.COM

ALL PARTS ARE GUARANTEED TO MEET WITH YOUR APPROVAL. Lecal Equipment is in no way implying that any of our products are original equipment parts. All original equipment manufacturer's names, drawings, colors and part numbers are used for identification purposes only.

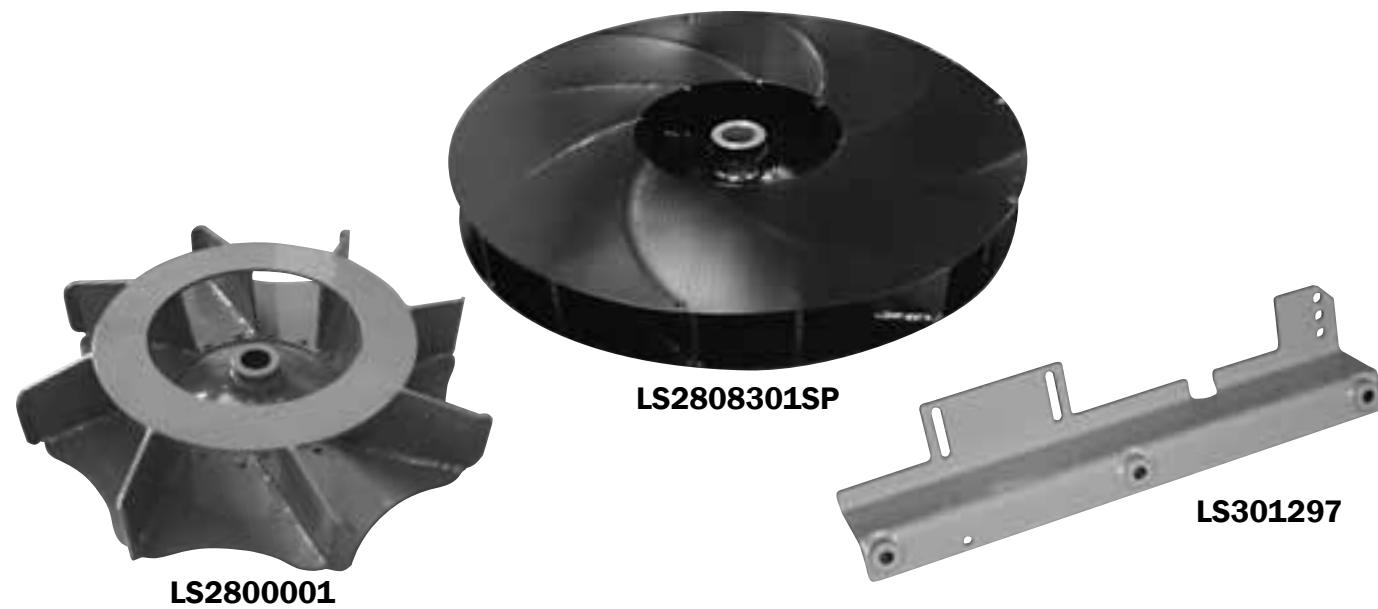
CATALOG KEY

Lecal Equipment's Sweeper Parts Item Numbers consist of the prefix "LS" (for "Lecal Sweeper") followed by the part number.

OUR COMMON ABBREVIATIONS:

- M.B. = MAIN BROOM
- C.B. = CENTER BROOM
- S.B. = SIDE BROOM
- G.B. = GUTTER BROOM
- BAH = BROOM ASSISTED HEAD
- HD = HEAVY DUTY
- S.S. = STAINLESS STEEL
- RH = RIGHT HAND
- LH = LEFT HAND
- ASSY = ASSEMBLY
- MNT / MTG = MOUNT / MOUNTING
- GEO = GUTTERBROOM EXTENSION OVERRIDE
- HYD = HYDRAULIC
- TH = THICK
- BRKT = BRACKET
- KT = KIT
- W/ (AND W/O) = WITH (AND WITHOUT)
- CYL = CYLINDER
- ABO = ADJUSTABLE BLAST ORIFICE
- ELEV = ELEVATOR
- CONV = CONVEYOR
- WELD = WELDMENT
- HDW = HARDWARE
- STD = STANDARD
- P.U. / P.U.H. = PICKUP / PICKUP HEAD
- UHMW = ULTRA-HIGH MOLECULAR WEIGHT
- SYS = SYSTEM
- PWR / MAN = POWER / MANUAL
- S/N = SERIAL NUMBER

This Is Just A Sample of Our Most Popular Parts • Additional Parts Available



FMC

SEE JOHNSTON/GLOBAL

JOHNSTON/GLOBAL

LS0549911	LATCH & HOLDER KIT
LS070526	ADJUSTING BOLT, GR8, 3/4 X 9-1/2"
LS116211	RUBBER FLAP
LS120136	ELEVATOR CHAIN, COTTER STYLE
LS120384	ELEVATOR FLIGHT RUBBER
LS120751	ALLIANZ POLY IDLER
LS122602	STRIP BROOM (2PC OF LB422A)
LS124194	SPROCKET SLEEVE
LS124312	FLIGHT ANGLE WELD., 9 HOLE
LS124316	ELEVATOR FLIGHT RUBBER
LS1452	BEARING
LS159161	HOSE, 8" X 6 FT. X 3"
LS159171	HOSE, 8" X 42" W/3" CUFFS
LS2000501	CURTAIN WELDMENT
LS2007121	REAR MESH W/ASSEMBLY
LS202577	CLAMP
LS202814AB	H.H.C.S. HARDWARE KIT
LS202814AB	H.H.C.S. HARDWARE KIT
LS202814AC	HEX NUT HARDWARE KIT
LS202814AC	HEX NUT HARDWARE KIT
LS203132	ANGLE
LS203U51	RH D/S, BREAKAWAY
LS204513	DEFLECTOR FLAP
LS205295	MUD FLAP
LS205829	SPACER
LS210137	FLIGHT ANGLE
LS211368	DIRT SHOE
LS211531	DEFLECTOR ASSEMBLY FRONT

JOHNSTON/GLOBAL

LS211669	UPPER ELEVATOR FLAP
LS212065	ELEVATOR FLAP
LS2411002	DEFLECTOR
LS241484	FLAP
LS2800001	BLOWER WHEEL
LS2808301SP	IMPELLER & SECURING KIT
LS2813721	WATER VALVE ASSEMBLY, 12V
LS2825771	FLAP INTAKE (N)
LS2828111	MOUNTING BRACKET
LS2828171	KEY
LS291851SP	IMPELLER & SECURING KIT
LS291853	IMPELLER SECURING KIT
LS300003	BUMPER (VANGUARD)
LS300024	MOTOR BRACKET
LS300026	ELEVATOR ARCH WELD., 10 GA.
LS300054	FMC UPPER ELEVATOR SHAFT
LS300063	DEFLECTOR PAD
LS3000EL1PC11A	ELEVATOR ASSEMBLY, 1-PC FLOOR, 11 FLIGHT
LS3000EL2PC11A	ELEVATOR ASSEMBLY, 2-PC FLOOR, 11 FLIGHT
LS300115	HYDRAULIC FILTER ELEMENT
LS30025501	SPROCKET SHIELD
LS300284	RING (VANGUARD)
LS300930	RH RUBBER DIRT SHOE ASSEMBLY
LS300931	LH RUBBER DIRT SHOE ASSEMBLY
LS300946	NIPPLE WELDMENT
LS300993	GUTTER BROOM CABLE
LS301238	RH PLATE
LS301239	LH PLATE
LS301297	RH BRACKET
LS301298	LH BRACKET

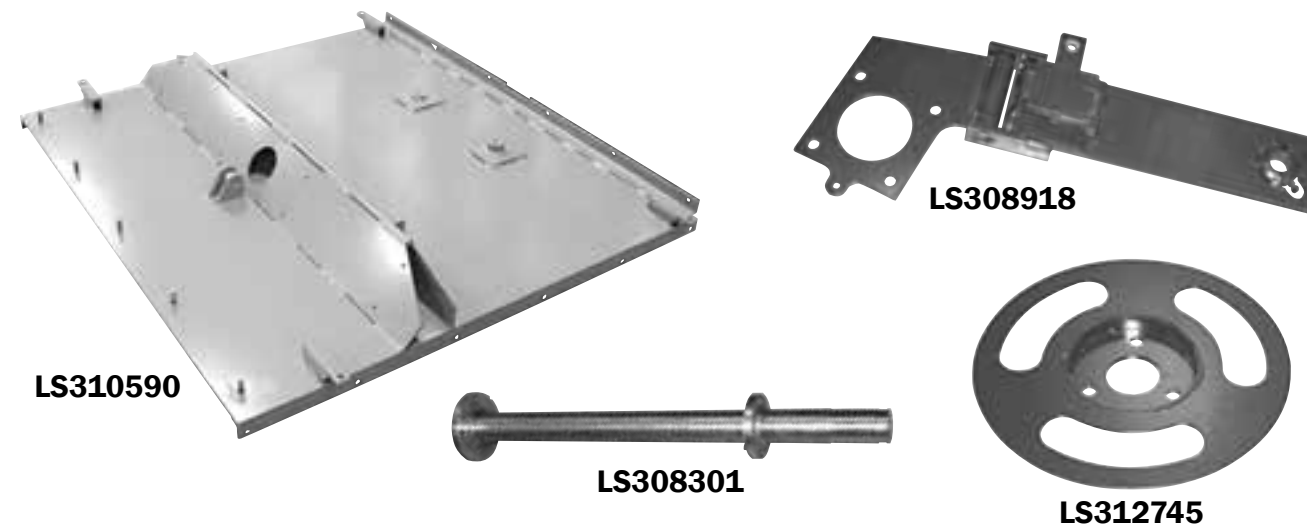
JOHNSTON/GLOBAL

LS301300	FIBER DEFLECTOR
LS301310	BREATHER (IN HOPPER)
LS301413	BACKING BAR
LS302092	BROOM COVER VANGUARD
LS302171	ACCUMULATOR
LS302191	GUTTER BROOM PLATE
LS302199	PRESSURE GAUGE
LS302499	SLEEVE
LS302532	LH STRIP BRUSH
LS302533	RH STRIP BRUSH
LS302557	GUTTER BROOM CABLE ASSEMBLY
LS302578	LH DIRT SHOE DEFLECTOR
LS302579	RH DIRT SHOE DEFLECTOR
LS302591	RH RUBBER DIRT SHOE RUNNER
LS302592	LH RUBBER DIRT SHOE RUNNER
LS30264	SHACKLE
LS303103	ELEVATOR STOP
LS303173	MAIN BROOM ARM ASSEMBLY
LS303337	LH REAR PIVOT ROD
LS30333701	RH REAR PIVOT ROD
LS303403	SINTERED BRONZE BEARING
LS303463	HARDENED BUSHING
LS303464	BROOM ARM WELDMENT
LS303504	PLATE
LS303562	RUBBER SEAL
LS303575	GUARD
LS303874	PIPE WELDMENT
LS303881	LIFT LINK PLATE
LS303882	LIFT LINK ASSEMBLY
LS304175	RH BEARING & BRACKET ASSY.
LS304368	FRONT/CENTER PIVOT ROD
LS304386	SHAFT

GET MORE INFORMATION: CALL 800.543.6161 • EMAIL SALES@LACAL.COM

ALL PARTS ARE GUARANTEED TO MEET WITH YOUR APPROVAL. LACAL Equipment is in no way implying that any of our products are original equipment parts. All original equipment manufacturer's names, drawings, colors and part numbers are used for identification purposes only.

This Is Just A Sample of Our Most Popular Parts • Additional Parts Available



JOHNSTON/GLOBAL

LS304570	PICKUP HEAD CURTAIN CLAMP
LS304586	DEFLECTOR
LS304587	FLAP
LS304609	BRACKET DEFLECTOR
LS304610	DEFLECTOR RETAINER
LS304611	DEFLECTOR
LS304659	PICKUP HEAD
LS304660	VANGUARD PICKUP HEAD ASSY.
LS304776	STEEL TUBE SPACER
LS304852	SHOE
LS304854	DEFLECTOR
LS304864	STUD, SPECIAL
LS304900	FLAP
LS304973	FILTER-PANEL
LS305024	BLAST FLAP CLAMP
LS305053	CLEVIS WELDMENT
LS305054	SHOCK ABSORBER
LS305086	LINK LIFT
LS305207	PILLOW BLOCK BEARING
LS305434	DEFLECTOR FLAP INSTALLATION
LS305670	DISCONNECT CAP
LS306093	MOUNTING BRACKET
LS306094	FLIGHT ANGLE
LS306095	CLAMP
LS306096	FLIGHT SQUEEGEE
LS306236	2-PC. RUBBER ANGLE ASSEMBLY
LS306265	FLAP
LS306978	SEAL
LS307119	FLAP
LS307131	FLAP
LS308008	FLIGHT ASSEMBLY BACKUP ANGLE
LS308292	4 BOLT FLANGE BEARING W/CAP
LS308301	IDLE HALF SPLIT SHAFT
LS30847	SPRAY NOZZLE

JOHNSTON/GLOBAL

LS308612	ELEVATOR HYDRAULIC MOTOR
LS308671	ELEVATOR FLOOR PLATE
LS308710	SPLIT SPROCKET, 2-PC SHAFT
LS308716	HI-PRESSURE FILTER ELEMENT
LS308717	HARD SPLIT SPROCKET, 1-PC. SHAFT
LS308769	SPACER
LS308826	LH ELEV. SIDE PANEL WELD.
LS308827	RH ELEV. SIDE PANEL WELD.
LS308829	UPPER SHAFT HALF, MOTOR SIDE
LS308831	BRACKET
LS308832	HALF SHAFT ASSEMBLY
LS308833	SHAFT ASSY., MOTOR SIDE
LS308906	LH NIPPLE WELDMENT
LS308918	LH PUB ARM ASSEMBLY
LS309297	GUTTER BROOM MOTOR
LS309350	SHAFT WELDMENT
LS309366	FLIGHT MOUNTING BRACKET
LS309645	CLAMP SET
LS310116	GUTTER BROOM PULLEY
LS310239	RH ELEVATOR PIVOT WELDMENT
LS310590	UPPER ELEV. FLOOR PLATE WELD.
LS310921	LOWER ELEV. FLOOR PLATE WELD.
LS310947	FLIGHT ANGLE
LS310948	FLIGHT ASSEMBLY
LS311318	MUFFLER
LS311740	MOTOR
LS311894	LH M.B. BEARING MOUNTING PLATE
LS312361	ELEVATOR SIDE SEAL
LS312568	DEFLECTOR FLAP
LS312745	FIBER GUARD
LS312834	SPLASH GUARD
LS314491	FLAP
LS314647	DEFLECTOR

JOHNSTON/GLOBAL

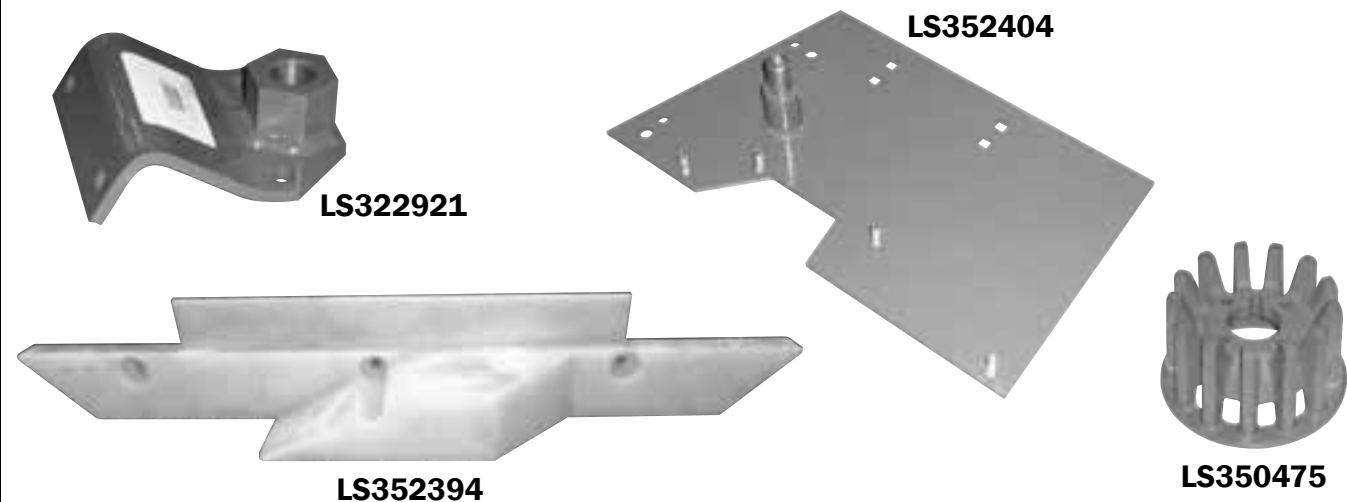
LS314741	WEATHERPROOF RELAY
LS316114	LH PICKUP BROOM ARM ASSY.
LS316270	ELEVATOR SIDE SEAL
LS317021	GAS SPRING W/END CONNECTORS
LS317439	RH GUTTER BROOM SUPPORT
LS317441	LH GUTTER BROOM SUPPORT
LS317582	STEP WELDMENT
LS317646	GUTTER BROOM STOP WELD.
LS317788	PUB DIRT SHOE ASSEMBLY
LS319031	ACTUATOR RE. SPACER, SHORT G.B.
LS319044	LINEAR ACTUATOR (VANGUARD)
LS319163	ELEVATOR ASSEMBLY, 2-PC FLOOR, 7 FLIGHT
LS319164	ELEVATOR ASSEMBLY, 2-PC FLOOR, 11 FLIGHT
LS319165	ELEVATOR ASSEMBLY, 1-PC FLOOR, 7 FLIGHT
LS319220	SHOCK ABSORBER ASSEMBLY
LS31923	DEFLECTOR
LS319544	PIVOT BRACKET WELDMENT
LS319548	FRONT DEFLECTOR
LS319580	BACKING STRIP
LS319588	FLIGHT ANGLE
LS319591	FLIGHT ASSEMBLY
LS32084901	CABLE ASSEMBLY, 158"
LS32105	DOUBLE SPROCKET
LS322048	SPRAY BAR BRACKET
LS322572	BOTTOM ELEVATOR SHIELD
LS322789	FUEL PUMP, 12V
LS322847	BRACKET WELDMENT

BE SURE TO CHECK OUT OUR SELECTION OF BROOMS BEGINNING ON PAGE 83 OF THIS CATALOG.

GET MORE INFORMATION: CALL 800.543.6161 • EMAIL SALES@LACAL.COM

ALL PARTS ARE GUARANTEED TO MEET WITH YOUR APPROVAL. LACAL Equipment is in no way implying that any of our products are original equipment parts. All original equipment manufacturer's names, drawings, colors and part numbers are used for identification purposes only.

This Is Just A Sample of Our Most Popular Parts • Additional Parts Available



JOHNSTON/GLOBAL

LS322896	ELEVATOR FLAP RUBBER SEAL
LS322921	BRACKET WELDMENT
LS322972	ELEVATOR LIP RUBBER FLAP
LS323131	PICKUP BROOM RUBBER FLAP
LS323246	ELEVATOR BOTTOM PLATE ASSEMBLY-LEAF SW
LS323385	LOWER ELEVATOR SHIELD SEAL
LS323466	ELEVATOR ASSY. 11 - SQUEEGEE
LS323467	ELEVATOR ASSY., 7 FLIGHT W/ SPKS
LS323892	RETAINER PLATE, LONG
LS323978	RH FENDER WELDMENT
LS323986	HINGE COVER
LS323989	RH FRONT COVER
LS323991	BATTERY COVER PLATE
LS324079	SUPPORT PLATE RUBBER SEAL
LS324795	RUBBER DIRT SHOES (RH/LH)
LS324796	CARBIDE DIRT SHOES (RH/LH)
LS324797	POLY DIRT SHOES (RH/LH)
LS325305	SEAL SUPPORT BRACKET
LS325306	SUPPORT, ELEVATOR TOP SEAL
LS325947	RUBBER FLAP, LEAF GATE LIP
LS325954	LEAF GATE ROLLER, 1-1/4" DIA.
LS326020	ELEVATOR LEAF GATE WELD.
LS326280	HINGE PIN ASSEMBLY
LS326281	SNAP RING
LS326282	BUSHING
LS326480	SPLASH GUARD DEFLECTOR
LS326605	END RUBBER FLAP
LS326954	CENTER DEFLECTOR BRACKET
LS326956	PLATE-BENT, DEFLECTOR
LS327053	ELEVATOR ASSEMBLY, 11 FLT.
LS327670	SHAFT, S.S., 27.63"
LS329832	SPLIT SPROCKET, HARDENED

JOHNSTON/GLOBAL

LS33314	CLAMP
LS34056	FLAP
LS34360A	SPROCKET HUB
LS34370	DEFLECTOR
LS34691	7 FLIGHT BELT W/HDW., 2-BOLT MOUNTING
LS34691A	7 FLIGHT BELT
LS350052	PUB SHAFT
LS350475	HARDENED SPROCKET
LS350565	BEARING BRACKET WELD.
LS350567	BOLT RETAINER PLATE
LS350577	ELEVATOR SIDE PLATE
LS350859	CIRCUIT BREAKER, 30 AMP
LS350870	RH PICKUP BROOM ARM & BUSHING ASSEMBLY
LS350902	HUB
LS351159	DRAIN PLUG ASSEMBLY
LS352391	FLANGE BEARING, 4-BOLT HOUSING
LS352394	RH URETHANE DIRT SHOE
LS352395	LH URETHANE DIRT SHOE
LS352396	RH POLY DIRT SHOE ASSEMBLY
LS352397	LH POLY DIRT SHOE ASSY.
LS352403	LH SIDE PLATE, WELDMENT
LS352404	RH SIDE PLATE, WELDMENT
LS352406	RH PICKUP BROOM ARM & BUSHING ASSEMBLY
LS352410	LH PICKUP BROOM ARM & BUSHING ASSEMBLY
LS353013	PICKUP BROOM DEFLECTOR FLAP
LS353107	RELAY, 65 AMP
LS354655	RH UPPER ELEV. HALF SHAFT ASSY.
LS354656	LH UPPER ELEV. HALF SHAFT ASSY.
LS354889	SPLASH GUARD

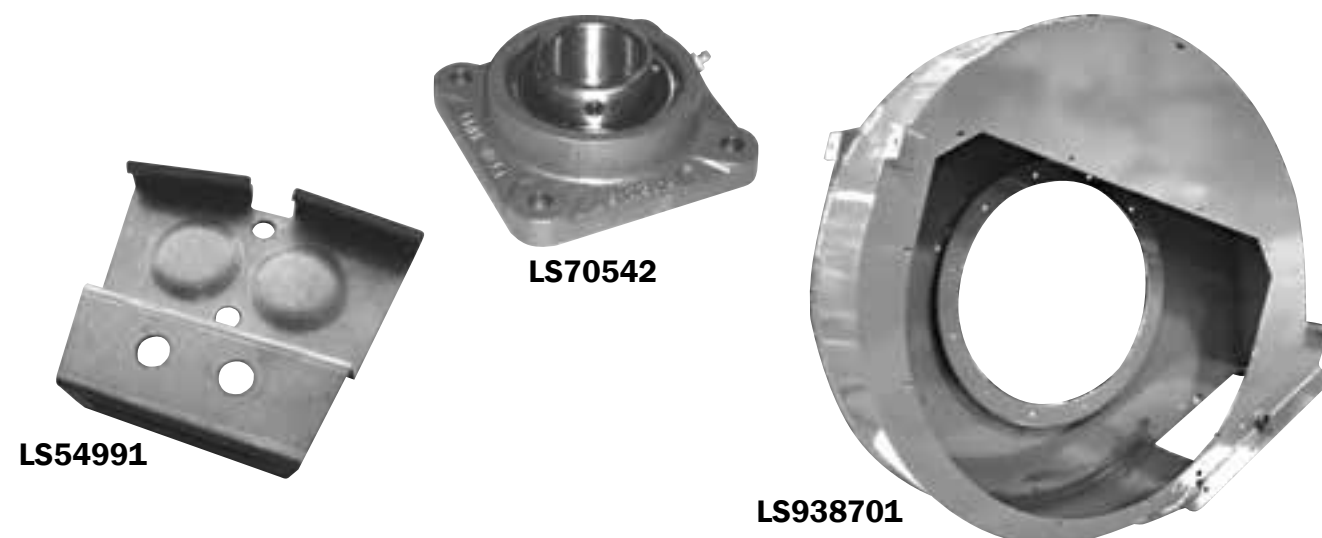
JOHNSTON/GLOBAL

LS354980	Y-STRAINER FILTER W/LANYARD
LS35526	BRACKET ASSEMBLY
LS35527	BRACKET ASSEMBLY
LS35531	BRACKET ASSEMBLY
LS35532	BRACKET ASSEMBLY
LS36008	DEFLECTOR
LS36054	DIRT SHOE
LS36083	DIRT SHOE DEFLECTOR
LS36680	SPACER
LS36683	DRIVE CHAIN, 79 LINKS
LS380867	FRONT PUMP GEAR
LS381200	SOLENOID VALVE
LS381256	COIL
LS381745	7 FLIGHT ELEVATOR BELT, 1 STUD
LS381746	11 FLIGHT ELEVATOR BELT, 1 STUD
LS381953	A/C CAB FILTER
LS38679	DEFLECTOR
LS395134	ELEMENT & ORING KIT FOR 308591
LS402491	LH & RH WEAR PLATE
LS402951	TOW PIN WELDMENT
LS403041	HINGE PLATE
LS403601	PIVOT PIN
LS403641	BUMPER
LS403771	BUSHING
LS403821	LINK
LS403891	PIVOT PIN
LS404921	COVER
LS41251	RUBBER WEAR PLATE
LS41479	BLADE EXTENSION
LS41480	DIRT DEFLECTOR
LS418731	SPRING SPACER
LS419111	SPRING RETAINER
LS422301	FAN HOUSING
LS422781	SPACER

GET MORE INFORMATION: CALL 800.543.6161 • EMAIL SALES@LACAL.COM

ALL PARTS ARE GUARANTEED TO MEET WITH YOUR APPROVAL. Lecal Equipment is in no way implying that any of our products are original equipment parts. All original equipment manufacturer's names, drawings, colors and part numbers are used for identification purposes only.

This Is Just A Sample of Our Most Popular Parts • Additional Parts Available



JOHNSTON/GLOBAL

LS422841	MASK FAN CASE
LS423821	DIAPHRAGM
LS425331	MOTOR MOUNT
LS426331	PLATE
LS426591	TRIANGULAR WASHER
LS427231	TAB WASHER
LS427291	FLAP PIVOT PIN
LS429521	FLAP ACTUATOR LEVER
LS42988	DIRT DEFLECTOR
LS43008	DIRT DEFLECTOR BLADE
LS43099	LH TRIANGULAR DEFLECTOR
LS43099/100KIT	LH & RH TRIANGULAR DIRT SHOES
LS43100	RH TRIANGULAR DEFLECTOR
LS44754	BLADE DEFLECTOR REAR
LS44755	FLAP ASSEMBLY
LS44757	BLADE DEFLECTOR
LS45806	LH DEFLECTOR PLATE
LS45807	RH DEFLECTOR PLATE
LS45842	LH MUD FLAP
LS46199	FLAP
LS46453	LH DEFLECTOR ASSEMBLY
LS46454	RH DEFLECTOR ASSEMBLY
LS505551	REAR MESH, STD. BODY
LS5100001375	SKID SPACER (GLADIATOR)
LS51266	FLAP
LS52323	SWITCH
LS53173	EXTENSION TOP
LS53178	DEFLECTOR
LS54990	SLIDING LATCH
LS54991	SEGMENT HOLDER
LS56393	SKT. CAP SCREW W/NYLON PATCH
LS57301	ELEVATOR STUD
LS60041	HOSE, 6" X 72" W/3" CUFFS
LS610263	INNER AIR FILTER

JOHNSTON/GLOBAL

LS620541	BEARING HOUSING
LS620611	BRUSH SIDE SWEEP WELDMENT
LS620641	WASHER
LS620751	RETAINING STRIP
LS621011	PLATE, BEARING SIDE WSB
LS621021	MOTOR END PLATE, 380 DIA.
LS621091	HOOD WELDMENT
LS622461	HEEL
LS6226033	NOZZLE SET (4-PCS)
LS623571	FORMED STRIP
LS624541	CLAMPING STRIP W/HARDWARE
LS628171	MUD FLAP
LS628211	MUD FLAP PLATE
LS628221	MUD FLAP BRACKET
LS628231	BRUSH CURTAIN PLATE WELD.
LS630631	ANGLE
LS630641	RETAINING STRIP
LS630642	RETAINING STRIP
LS634921	SPINDLE W/ZERK
LS634941	COLLAR
LS635181	FORK WELDMENT
LS635301	DRAW BAR
LS636621	HOSE, 9" X 34" W/3" CUFFS
LS636651	RETAINING STRIP
LS636661	PLATE
LS636671	PLATE
LS6502A	SQUEEGEE
LS6563	PLUG
LS70542	BEARING
LS83661	GUTTER BROOM, 2PC.
LS890919004	CHAIN, 4 LINKS
LS890919012	CHAIN, 12 LINKS
LS890919014	CHAIN, 14 LINKS
LS890919015	CHAIN, 15 LINKS

JOHNSTON/GLOBAL

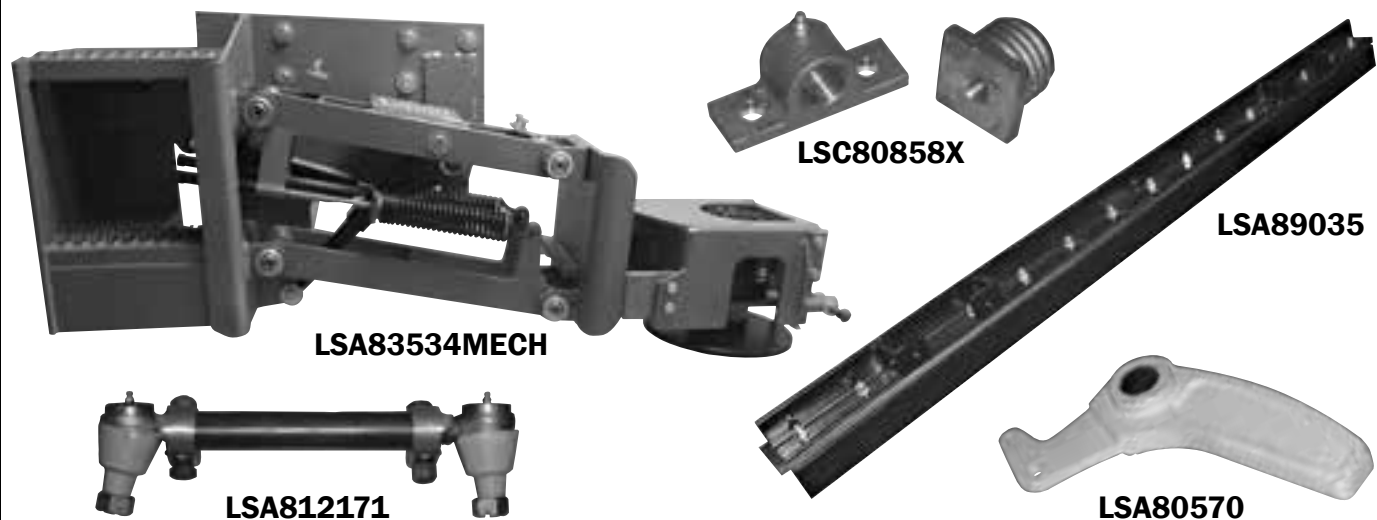
LS891008	STRIP RUBBER, 8"
LS896663022	CHAIN 1/4"
LS928201	BROOM COVER WELDMENT
LS938701	BLOWER HOUSING W/LINATEX
LS949542	MAIN AIR FILTER
LS949903	NOZZLE PIPE
LS949922	NOZZLE TRUNKING, 10" X 39.37"
LSA123644	ALLIANZ UPPER SHAFT
LSA124311	ELEVATOR FLIGHT ASSY., (9-HOLE)
LSK124193	10T POLY SPROCKET KIT
LSV4000MEK1	V4000 MINI ELEVATOR KIT
LSVGMXIK2	MAXI KIT, 11 FLIGHT, 1-PC SHAFT
LSVGMXIK4	MAXI KIT, 11 FLIGHT, 2-PC SHAFT
LSVGMK1	VANGUARD 7 FLT. MAXI KIT FOR SPLIT SHAFT
LSVGMK10	VANGUARD MINI FLIGHT KIT
LSVGMK11	VANGUARD MINI ELEV. KIT
LSVGMK12	VANGUARD MINI ELEV. KIT
LSVGMK13	VANGUARD MINI KIT
LSVGMK14	VANGUARD MINI ELEVATOR KIT
LSVGMK15	VANGUARD MAXI KIT
LSVGMK16	VANGUARD MINI KIT
LSVGMK17	VANGUARD MINIKIT, 7 FLIGHT
LSVGMK2	VANGUARD MAXI KIT
LSVGMK3	VANGUARD MINI ELEV. KIT
LSVGMK4	VANGUARD MINI ELEV. KIT W/HDW.
LSVGMK5	VANGUARD MINI ELEV. KIT
LSVGMK6	VANGUARD MINI ELEV. KIT
LSVGMK7	VANGUARD MINI ELEV. KIT
LSVGMK8	VANGUARD KIT
LSVGMK9	VANGUARD MINI KIT

PART NOT LISTED? CALL 800.543.6161 TODAY! LACAL HAS THOUSANDS OF ADDITIONAL PARTS AVAILABLE.

GET MORE INFORMATION: CALL 800.543.6161 • EMAIL SALES@LACAL.COM

ALL PARTS ARE GUARANTEED TO MEET WITH YOUR APPROVAL. Lecal Equipment is in no way implying that any of our products are original equipment parts. All original equipment manufacturer's names, drawings, colors and part numbers are used for identification purposes only.

This Is Just A Sample of Our Most Popular Parts • Additional Parts Available



MOBIL

LS108410	SET SCREW, SQ. HEAD, CUP POINT
LS11445	SN-AP RING
LS129105	KEY, 5/16 SQ. X 1
LS1293425	KEY
LS129421	KEY
LS13130777	BEARING
LS14010	CLEVIS PIN
LS1407	CLEVIS PIN
LS1408	CLEVIS PIN, PLAIN
LS2219	O-RING
LS80B13HT	SPROCKET, 13T
LSA402649	SPRING SHOE ELEVATOR FRAME
LSA4026491	SPRING SHOE ELEVATOR ASSY.
LSA402666	STD. SHOE ELEVATOR FRAME
LSA4026661	H-10 ELEVATOR ASSY., STD. SHOE
LSA402750	DEFLECTOR PLATE ASSEMBLY
LSA402879	DEFLECTOR ASSEMBLY
LSA402880	FRONT DIRT DEFLECTOR ASSY.
LSA403178	DIRT SHOE SPRING
LSA403560	CURTAIN ASSEMBLY
LSA403561	DEFLECTOR CURTAIN ASSEMBLY
LSA801561	ELEVATOR FLAP ASSEMBLY
LSA80340	M7 ELEVATOR FRAME 4-YD.
LSA803541	FRONT SPRAY BAR ASSEMBLY
LSA803571	UPPER SHAFT ASSEMBLY
LSA803572	LOWER SHAFT ASSEMBLY
LSA803597A	FLIGHT ASSEMBLY
LSA80386	LOWER SHAFT ASSEMBLY
LSA80397	ELEVATOR DRAPE
LSA80397B	DRAPE HINGE SLEEVE
LSA80397HD	HEAVY DUTY DRAPE ASSEMBLY
LSA80397HDE	HD RUBBER DEFLECTOR
LSA80405	ELEVATOR FLIGHT ASSEMBLY
LSA805044	M9A ELEV. FRAME, STD SHOE
LSA8050441	M9A-M8A 5-YD. FRAME ASSY.

MOBIL

LSA8050441U	M9A-M8A 5-YD. FRAME ASSY.
LSA8050442	M9B, D, E 5-YD. FRAME ASSY.
LSA8050442KIT	M9B 5-YD. FRAME KIT
LSA8050442U	M9B 5-YD. FRAME ASSEMBLED
LSA8050443	M9B 5-YD. FRAME KIT
LSA8050444	M9A-M8A 5-YD. FRAME KIT
LSA8050445	M9B FRAME & PARTS
LSA805044A	RH UPPER SIDE PANEL
LSA805044AA	ELEVATOR PANEL ASSEMBLY
LSA805044B	LH UPPER SIDE PANEL
LSA805044HD	M9A ELEV. FRAME, STD SHOE
LSA805044P	RH SLIDE BAR
LSA805044Q	LH SLIDE BAR
LSA805045	M9A SPRING SHOE ELEV. FRAME
LSA8050451	FRAME KIT
LSA8050452	M9D LIGHTFOOT FRAME ASSY.
LSA8050453	M9A 5-YD. LIGHTFOOT KIT
LSA80510	LH LIFT CAM
LSA80514	TENSION SPRING ASSEMBLY
LSA80570	RH LIFT CAM
LSA80609	HOLD DOWN, ASSEMBLY, HOOD
LSA806436	BLACK BROOM COVER ASSEMBLY W/ENDS
LSA806437	WHITE BROOM COVER ASSEMBLY W/ENDS
LSA807580	DIRT DEFLECTOR ASSEMBLY
LSA808175	LOWER ELEVATOR SHAFT ASSY.
LSA808175U	LOWER SHAFT 10T SPROCKET ASSEMBLY
LSA808177	UPPER ELEVATOR SHAFT ASSY.
LSA808177U	UPPER SHAFT ASSEMBLY W/10T POLY SPROCKET
LSA80864	STEEL BROOM COVER ASSEMBLY
LSA808954	FLIGHT ASSEMBLY
LSA810961	M-7 ELEVATOR FRAME ASSY., 3-YD.

MOBIL

LSA8109631	M-7 FRAME PIVOT
LSA811422	M9D HOPPER ASSEMBLY W/ WINDOWS (NO GLASS)
LSA812171	DRAG LINK ASSEMBLY
LSA813148	M9E HOPPER, ASSEMBLED
LSA813824	LIMIT SWITCH
LSA82649	UPPER SHAFT ASSEMBLY
LSA82739A	CHAIN KIT
LSA83534AIR	RH AIR GUTTER BROOM ASSEMBLY
LSA83534MECH	RH MECHANICAL G.B. ASSY.
LSA83545	M8 ELEVATOR FRAME 4-YARD
LSA835451	M8 4-YD. ELEV. FRAME ASSEMBLY
LSA83633AIR	LH AIR GUTTER BROOM ASSEMBLY
LSA83633MECH	LH MECH. GUTTER BROOM ASSY.
LSA83645	M8 ELEVATOR FRAME 3-YARD
LSA836451	ELEVATOR FRAME 3-YD. ASSY.
LSA84374	LH M.B. LIFT QUADRANT ASSY.
LSA84375	RH M.B. LIFT QUADRANT ASSY.
LSA88219	M9 ELEV. FRAME, FIXED SHAFT
LSA882191	M9 FRAME ASSEMBLY
LSA882192	M9 ELEV. FRAME ASSEMBLED
LSA88219E	MOUNTING BRKT. CROSS PLATE
LSA88219F	UPPER END CROSS BRACE
LSA88219X	UPPER LINER CROSSMEMBER
LSA88219ZC	LINER CONNECTOR
LSA88991	DIRT DEFLECTOR ASSEMBLY
LSA89035	ELEVATOR FLIGHT ASSEMBLY
LSA89036	ELEVATOR CHAIN & FLIGHTS KIT
LSA89036ASSY	ELEV. CHAIN & FLIGHTS ASSY.
LSA89153	21T SPROCKET W/BUSHING
LSBBMINELK2	BROOM BEAR MINI KIT
LSC80803X	BRASS SPRING END PLUG
LSC80858X	BRONZE LIFT LEVER BEARING
LSG403157L	LH SPRING DRAG SHOE ASSEMBLY
LSG403157R	RH SPRING DRAG SHOE ASSEMBLY

GET MORE INFORMATION: CALL 800.543.6161 • EMAIL SALES@LACAL.COM

ALL PARTS ARE GUARANTEED TO MEET WITH YOUR APPROVAL. Lecal Equipment is in no way implying that any of our products are original equipment parts. All original equipment manufacturer's names, drawings, colors and part numbers are used for identification purposes only.

This Is Just A Sample of Our Most Popular Parts • Additional Parts Available



MOBIL

LSG801155	SHACKLE LEAF SPRING KIT
LSG801357	STEER PUMP REPL KIT
LSG801955L	LH SPRING LOADED SHOE ASSY.
LSG801955R	RH SPRING LOADED SHOE ASSY.
LSG802095	ELEVATOR DRAPE ASSEMBLY
LSG802096	ELEVATOR DRAPE ASSEMBLY
LSG802098	STEEL DRAG SHOE ASSEMBLY
LSG810259L1	LH SPRING SHOE ASSY., W/O SHOE
LSG810259R1	RH SPRING SHOE ASSY., W/O SHOE
LSG811202	M9D HOPPER KIT
LSH11002	DEFLECTOR PAD
LSK814655	KIT, PM-10, M9D
LSKM9B4STASSY	SCISSORS ASSEMBLY, 4 STAGE
LSKM9B4T05KIT	SCISSORS CONV. KIT, 4-5 STAGE
LSKM9B5STASSY	SCISSORS ASSEMBLY, 5 STAGE
LSM2000352	REAR BAFFLE
LSM2001279	CURTAIN
LSM402748	CENTER DEFLECTOR PAD
LSM403837	CONVEYOR BELT SEAL
LSM6000BK1	HDW. KIT - 10T SPRKTS & IDLER
LSM800942	HOSE
LSM801562	RUBBER CANVAS FLAP
LSM804025	SEAL TRIM, 16.66'
LSM83741	PAD
LSM84850	BRIDGE STRIP
LSM84MAXIK1	MAXI ELEVATOR KIT, M8 4-YD.
LSM84MINIK1	MINI ELEVATOR KIT, M8 4-YD.
LSM84MINIK2	MINI ELEVATOR KIT, M8 4-YD.
LSM84MINIK21	MINI ELEVATOR KIT
LSM87568	VENT HOSE
LSM87584	REAR WINDOW SEAL
LSM87585	BUMPER
LSM88955	RUBBER SEAL
LSM88958	HOPPER SEAL
LSM8A4MAXIK1	MAXI ELEVATOR KIT, M8A 4-YD.

MOBIL

LSM8A4MINIK1	MINI ELEVATOR KIT, M8A 4-YD.
LSM8A4MINIK2	MINI ELEVATOR KIT, M8A 4-YD.
LSM8A4MINIK4	MINI ELEVATOR KIT, M8A 4-YD.
LSM8BK1	HDW. KIT - 10T SPRKTS & IDLER
LSM8BK2	LINER HARDWARE KIT, M8
LSM95MAXIK1	MAXI ELEVATOR KIT, M9 5-YD.
LSM95MINIK2	MINI ELEVATOR KIT, M9 5-YD.
LSM9A5MAXIK1	MAXI ELEV. KIT, M9A-M8A 5-YD.
LSM9A5MINIK1	MINI ELEV. KIT, M9A-M8A 5-YD.
LSM9A5MINIK2	MINI ELEV. KIT, M9A-M8A 5-YD.
LSM9A5MINIK4	MINI ELEV. KIT, M9A-M8A 5-YD.
LSM9B5MAXIK1	MAXI ELEVATOR KIT, M9B 5-YD.
LSM9B5MAXIK2	MAXI ELEVATOR KIT, M9B 5-YD.
LSM9B5MAXIK3	MAXI ELEVATOR KIT, M9B 5-YD.
LSM9B5MINIK1	MINI ELEV. KIT, M9B 5-YD.
LSM9B5MINIK2	MINI ELEVATOR KIT, M9B 5-YD.
LSM9B5MINIK2U	MINI ELEVATOR KIT, M9B 5-YD.
LSM9B5MINIK4U	ELEV. KIT, M9B 5-YD., 10 TOOTH
LSM9BK2	HDW. KIT, LINERS, M9, 9A, 9B
LSM9BLFDSARH	LIGHTFOOT DRAG SHOE ASSY.
LSMOBIL90L	LH DRAG SHOE ASSEMBLY
LSMOBIL90R	RH DRAG SHOE ASSEMBLY
LSMS35309416	BRASS H.H. CAPSCREW
LSP1004217A	RUBBER DIVIDER
LSP1004218A	RUBBER DIVIDER
LSP1004219	RUBBER LINER
LSP2000140	IMPELLER, RL 730
LSP2000817	DUMP CYLINDER SEAL KIT
LSP2001011	PARK BRAKE ASSEMBLY
LSP2001013	FRONT RIM (8 MTG. HOLES)
LSP2001337	FRONT DRAPE
LSP2001491	RH TORQUE PLATE
LSP2001500	BRAKE PAD SET
LSP200512	PRESSURE SWITCH
LSP35874A	STARTER RELAY

MOBIL

LSP400091	CONNECTOR LINK
LSP400124C	SPRAY WATER PUMP
LSP400304	RESERVOIR CAP
LSP400305A	RESERVOIR
LSP400424	SEAL KIT
LSP400457	DRAG SHOE SEAL
LSP400636	SEAL KIT
LSP400678	SOLENOID VALVE
LSP400690	ISOLATOR
LSP400943	SEAL
LSP401795	VALVE
LSP401906	CYLINDER
LSP401907A	AIR CYLINDER
LSP401978	CABLE
LSP402242	SEAL KIT
LSP403004	SOLENOID ASSEMBLY, 12VDC
LSP403152	RH BLACK POLY. DUST SHIELD
LSP403153	LH BLACK POLY. DUST SHIELD
LSP403177	BUSHING
LSP403179	BUSHING
LSP403436	MOTOR
LSP403441	RH WHEEL MOTOR ASSEMBLY
LSP403442	LH WHEEL MOTOR ASSEMBLY
LSP403899	ELEVATOR BEARING
LSP41526	ROD END BALL BUSHING
LSP45631B	FLUID LEVEL INDICATOR W/THERM
LSP70980	SWITCH
LSP71633	SENDING UNIT, OIL PSI
LSP800077	STEERING PUMP
LSP800116	FLAT SOCKET CAP SCREW W/ NYLOK
LSP800175A	SPROCKET
LSP800192	SWITCH
LSP800321	COOLER
LSP800422	SPRING

GET MORE INFORMATION: CALL 800.543.6161 • EMAIL SALES@LACAL.COM

ALL PARTS ARE GUARANTEED TO MEET WITH YOUR APPROVAL. Lecal Equipment is in no way implying that any of our products are original equipment parts. All original equipment manufacturer's names, drawings, colors and part numbers are used for identification purposes only.

This Is Just A Sample of Our Most Popular Parts • Additional Parts Available

MOBIL

LSP800423	SPRING
LSP800424	PARKING BRAKE SHOE SET (2)
LSP800427	PARKING BRAKE DRUM
LSP800431	PARK BRAKE SHIELD
LSP800523A	FLOOD LAMP
LSP800531	RELAY ASSEMBLY
LSP80065	DRAG LINK
LSP800772	HYDRAULIC MOTOR SEAL KIT
LSP80084	COLLAR W/SET SCREW
LSP80094	SHACKLE KIT
LSP80095B	FRONT SPRING PIN
LSP801079	QUADRANT BUSHING
LSP801092	FRONT SPRING SHACKLE
LSP801136	ELEVATOR CHAIN SIDE BAR, PLAIN
LSP801137	LINK PIN W/SPLIT COTTER
LSP801138	COTTER SIDE ATTACH. BAR
LSP801141	OFFSET HALF LINK (NO PINS/COT)
LSP801198	SOLENOID
LSP801247	BANJO BOLT
LSP801248	GASKET WASHER
LSP801249	BRAKE LINE HOSE
LSP801257	RD. PIN ANCHOR SHACKLE
LSP801310	BRAKE PAD KIT (4 BRAKE PADS)
LSP801311	CALIPER ASSEMBLY
LSP801312	FRONT CALIPER REPAIR KIT
LSP801318	SPRING ASSEMBLY
LSP801319	RETAINER SET (RH & LH)
LSP801320	BOLT
LSP801324	CALIPER ASSEMBLY W/O LINING
LSP801325	CALIPER REPAIR KIT
LSP801329	FRONT BRAKE ROTOR
LSP801330	REAR ROTOR
LSP801337	BRAKE MASTER CYLINDER
LSP801338	BRAKE HYDRO BOOSTER
LSP801342	SEAL, WHEEL, FRONT DISC
LSP801537A	SCISSORS LINK BUSHING
LSP801539	GAS DOOR SHOCK
LSP801540	BALL STUD
LSP801541	SAFETY CLIP
LSP80156	HYD. STEERING PUMP W/FITTINGS
LSP801626	EXTENSION SPRING
LSP801748	WATER Y-STRAINER, 2"
LSP80176A	WATER PUMP
LSP801882	PAD KEEPER SPRING
LSP80196	CHAIN
LSP80209	SPROCKET
LSP80210	SPROCKET W/BUSHING, 30T
LSP80211	SPROCKET, 21 TOOTH
LSP802112	LINING RETAINER SPRING
LSP80222	REAR BROOM FLOAT SHOCK ABSORBER
LSP80226	4-YARD ELEVATOR CHAIN
LSP80226A	M8 4-YD. ELEV. CHAIN W/FLIGHT ASSEMBLY

MOBIL

LSP80226ASSY	M8 4-YD. ELEV. CHAIN W/FLIGHT ASSEMBLY
LSP80227	3-YARD ELEVATOR CHAIN, 8 FLIGHT
LSP80228A	HYDRAULIC MOTOR
LSP802425B	11 TOOTH ELEV. CHAIN, 12 FLIGHT
LSP802425BASSY	ELEV. CHAIN W/FLIGHT ASSY.
LSP80245	SHOCK ABSORBER
LSP802539	11 TOOTH SPROCKET, RUBBER
LSP802539U	11 TOOTH SPROCKET, URETHANE
LSP802540	RUBBER IDLER WHEEL, 11 TOOTH
LSP802540U	URETHANE IDLER WHEEL, LARGE
LSP802588	SQUEEGEE
LSP802588A	SQUEEGEE 13 HOLE
LSP802659	BOLT SLEEVE
LSP802660	PLASTIC SPROCKET BUSHING
LSP802725	ELEVATOR MOTOR SPROCKET, 12T
LSP802726A	ELEVATOR DRIVE SPROCKET, 36T, 42RPM
LSP802727	CHAIN
LSP802739A	ADJ CYLINDER
LSP802881	TAILLIGHT KIT
LSP802887	PARK BRAKE CYLINDER
LSP80290	ZINC PLATED STEEL HINGE
LSP802908	SEAL CLAMP
LSP802916A	AIR CYLINDER
LSP802917A	AIR REGULATOR
LSP802924A	WHEEL ASSEMBLY, 22.5 X 9.00 (10 HOLE)
LSP802926A	CENTER MUFFLER PIPE
LSP802934	CAB DOOR HINGE
LSP803067	TRANS. SHIFTER CABLE
LSP803137	FLANGE YOKE
LSP803146	CROSS & BEARING ASSEMBLY
LSP803232	GATE CYLINDER
LSP803429	INSULATOR VIBRO
LSP803472A	LH SIDE COVER, 1.5" WIDE LIP
LSP803473B	RH SIDE COVER, 1.5" WIDE LIP
LSP803509	BEARING
LSP80385	ELEVATOR BEARING, LINK-BELT
LSP80385P	ELEVATOR BEARING
LSP803909	CROSS & BEARING ASSEMBLY
LSP803945	DRIER
LSP803955	CHECK VALVE

MOBIL

LSP803964	FAN ASSEMBLY
LSP803979	BLOWER WHEEL
LSP803980	MOTOR PLATE
LSP803982A	FAN MOTOR 12V
LSP803986	FRESH AIR FILTER
LSP804009	40" HEAT CABLE
LSP804021	LH DOOR LATCH ASSEMBLY
LSP804022	RH DOOR LATCH ASSEMBLY
LSP804038	SWITCH TEMPERATURE SENDER
LSP80409A	RUBBER SQUEEGEE
LSP804126	ROCKER SWITCH
LSP80425	RUBBER LIP
LSP80436	CHAIN
LSP804367	RH SUPPORT
LSP804368	LH SUPPORT
LSP804371	BOOT (BRAKE GROUP)
LSP804378	ROTOR
LSP804423	ROCKER SWITCH
LSP804577	LATCH MECHANISM
LSP804579	OUTSIDE PADDLE HANDLE
LSP804581	LATCH MECHANISM
LSP804582	INSIDE RELEASE LEVER
LSP804583	OUTSIDE PADDLE HANDLE
LSP804584	LH ROD END CLIP
LSP804615	SEAL KIT
LSP804640	LH POLY HINGE
LSP804641	RH POLY HINGE
LSP804660	TOP COVER, REAR COMPARTMENT
LSP804672	LH REAR DOOR
LSP804673	RH REAR DOOR
LSP804675A	M8A REAR COMPARTMENT
LSP804682	SEAL KIT
LSP804751	BLUE LENS INSERT
LSP804796	LIFT CYLINDER SEAL KIT
LSP804906A	LH SIDE COVER
LSP804907A	RH SIDE COVER, ABD
LSP804988	ELEV. CHAIN, 11 FLIGHT, 71P
LSP805051	PARK BRAKE CALIPER
LSP805068	LINING KIT (2PCS - 1 THICK, 1 THIN)
LSP805069	MOUNT PIN
LSP80511	DURALON BEARING
LSP80515	GUTTER BROOM TENSION SPRING
LSP80518A	DROP FORGED SHACKLE
LSP805319	BLACK POLY BROOM COVER
LSP805320	WHITE POLY BROOM COVER
LSP80533	THRUST WASHER
LSP805339	PARKING BRAKE CABLE
LSP80535	COLLAR W/SET SCREW, ZINC PLATED
LSP80535A	COLLAR W/NO SET SCREW
LSP80556B	HYDRAULIC PUMP W/(2) FITTINGS
LSP80578A	ALUM. GUTTER BROOM BLOCK (1)
LSP805880	M8A REAR COMPARTMENT ASSY.
LSP805937	GREASE BUTTON FITTING

WAIT... I DON'T SEE THE PART I NEED!

Call **800.543.6161** to access our entire inventory of parts. This catalog is only a portion of the quality replacement parts that Lactal Equipment offers!

GET MORE INFORMATION: CALL 800.543.6161 • EMAIL SALES@LACAL.COM

ALL PARTS ARE GUARANTEED TO MEET WITH YOUR APPROVAL. Lactal Equipment is in no way implying that any of our products are original equipment parts. All original equipment manufacturer's names, drawings, colors and part numbers are used for identification purposes only.

This Is Just A Sample of Our Most Popular Parts • Additional Parts Available



MOBIL

LSP80613	RUBBER RESTRAINT HOOK
LSP806213A	4-BOLT ELEVATOR MOTOR
LSP806264	GASKET
LSP806265A	SPROCKET, ELEVATOR, 27T
LSP806267	CHAIN
LSP806440A	LH SIDE COVER
LSP80656	END PLATE (2 HALVES)
LSP806686	SWITCH, PARK BRAKE
LSP806723	SINGLE SOLENOID VALVE
LSP806728	DOUBLE SOLENOID VALVE
LSP806758	LOW COOLANT PROBE
LSP806770	WHITE POLY END PANEL
LSP806771	BLACK POLY BROOM COVER END PANEL
LSP806795	REAR COMPARTMENT W/COVERS
LSP806830C	IDLER PULLEY
LSP806847	12 TOOTH SPROCKET, 1-1/4" TAPER
LSP806913	BREAKER PANEL
LSP806953	REAR COMPARTMENT CROSSMEMBER
LSP807013	WATER TEMP SENDER
LSP807021A	WATER TEMP GAUGE
LSP807075	CHAIN COVER
LSP807081	SHIFT CABLE
LSP807082	QUICK DISCONNECT BALL JOINT
LSP807085	COUPLER
LSP807089	FLOW CONTROL CARTRIDGE
LSP80714	DEFLECTOR RUBBER
LSP80716	PULLEY
LSP80721	EYEBOLT, 3/8" WITH HEX NUT
LSP807268	ROCKER-LOCK SWITCH
LSP807549	CHAIN
LSP807608	WIPER MOTOR
LSP807621A	HYDRAULIC OIL FILTER

MOBIL

LSP80770	BRAKE HOSE ASSEMBLY
LSP80772	BRAKE CYLINDER
LSP80790	10 TOOTH SPROCKET, RUBBER
LSP80791	IDLER WHEEL, RUBBER, 10 TOOTH
LSP80804	REAR BROOM SPRING
LSP80814	FLAT WASHER, REAR BROOM
LSP80831	CAST BRONZE BEARING
LSP808496KIT	INST. PANEL W/2 HARNESSSES
LSP80865	LH BROOM COVER END PLATE
LSP80866	RH BROOM COVER END PLATE
LSP808758	CHAIN
LSP80878	MAIN BROOM CHAIN COVER
LSP808824	FIBER GUARD
LSP808879A	RH SIDE COVER, AHL
LSP808955	RUBBER SQUEEGEE 15 HOLE
LSP809020	BRAKE SOLENOID VALVE
LSP809021	LIFT SOLENOID VALVE
LSP809153	PIN ONLY
LSP809234	RH RETAINER
LSP809235	LH RETAINER
LSP809350	FLIGHT ATTACHMENT LINK
LSP80942	PIN
LSP809494	BALL VALVE
LSP809841	SINGLE LOCK VALVE
LSP809962	LIFT & TURN LATCH
LSP809963	LIFT & TURN LATCH
LSP810026	PRESSURE SWITCH
LSP810160	TRANSMISSION SHIFTER
LSP81018	ARM, WIPER
LSP810250	RIBBED BELT AIR COND.
LSP810262	RADIATOR HOSE
LSP810298	BRONZE SLEEVE BUSHING
LSP810310	FUEL SENDER
LSP810313	M9D REAR COMPARTMENT
LSP810330	BRONZE BEARING

MOBIL

LSP81048A	THROTTLE CABLE
LSP810801	39" DR RUNNER W/4 HOLE PLATE
LSP81082	THROTTLE CABLE ASSEMBLY
LSP810856C	FLOW REGULATOR
LSP81099	HANDLE
LSP811130	CHAIN
LSP812298	LH REAR COMPARTMENT DOOR
LSP812299	RH REAR COMPARTMENT DOOR
LSP812942	RH SIDE DOOR COVER
LSP812943	LH SIDE DOOR
LSP81319	BRM. ARBOR W/O FIBER GUARDS
LSP81319B	BROOM ARBOR W/FIBER GUARDS
LSP813734	BOTTLE OVERFLOW, RAD.
LSP81554	FIBER GUARD
LSP81609	WATER PUMP REPAIR KIT
LSP81808	SPACER
LSP81912	AIR DUCT
LSP82239	RUBBER DRAG SHOE
LSP83263	10" M.B. WAFER CORE W/FIBER GUARDS
LSP83403B	RH COVER
LSP83404B	M8 LH SIDE COVER
LSP83468	STRIP
LSP83717	WIPER
LSP83718	WIPER
LSP84163	CHAIN, WHEEL DRIVE
LSP84901A	HYDRAULIC MOTOR W/FITTINGS
LSP85607	TANDEM PUMP DRIVE
LSP88033A	SCISSORS BUSHING, 2" LONG
LSP882364	CHAIN
LSP88594A	CYLINDER W/CLEVIS
LSP88801	LH SIDE COVER, 6" WIDE LIP
LSP88802	RH SIDE COVER, 6" WIDE LIP
LSP89051	CHAIN
LSP89993	BLEEDER & GASKET

GET MORE INFORMATION: CALL 800.543.6161 • EMAIL SALES@LACAL.COM

ALL PARTS ARE GUARANTEED TO MEET WITH YOUR APPROVAL. Lactal Equipment is in no way implying that any of our products are original equipment parts. All original equipment manufacturer's names, drawings, colors and part numbers are used for identification purposes only.

This Is Just A Sample of Our Most Popular Parts • Additional Parts Available

MOBIL		MOBIL	
LSQS739	SHAFT	LSS808956	FLIGHT
LSQS990	UPPER ELEVATOR SHAFT	LSS808957	BACK BAR
LSS402453	PLATE	LSS809109	MAIN BROOM ARM PIN
LSS402454	DRAG SHOE	LSS809227	ELEVATOR CHAIN TOOL
LSS402560	TAPPED BLOCK	LSS809822	KEEPER
LSS402726	SLEEVE	LSS810414	OVERFLOW BOTTLE BRACKET
LSS402747	ANGLE	LSS810705	SPACER
LSS403154	LIFT CHAIN	LSS810735	BROOM STRUT PIVOT PIN
LSS800279	WATER LEVEL TAPPED PLATE	LSS810949	DRAG SHOE TOW CHAIN
LSS800304	PIVOT PLATE	LSS811518	HANGER PIN
LSS800525	STAND OFF, REAR BROOM LIGHT	LSS811519	PLATE
LSS801095	LEAF SPRING BUSHING	LSS812106	IDLER PULLEY BUSHING
LSS801220A	GATE STOP	LSS812458	REAR BROOM LIFT SHAFT
LSS801718	COVER CLAMP	LSS812995	LIFT BRACKET
LSS801901	PLATE	LSS81321	REAR BROOM SHAFT SPACER
LSS801906	MOTOR COVER	LSS81322	REAR BROOM SHAFT SPACER
LSS801910	DRIVE HUB	LSS81325	REAR BROOM SHAFT SPACER
LSS802586A	13 HOLE FLIGHT ANGLE	LSS813425	RETAINING WASHER
LSS802587A	13 HOLE FLIGHT ANGLE	LSS814192	MAIN BROOM LIFT ARM
LSS80301	RH TRACK	LSS81514	SPRAY NOZZLE
LSS803056	CAM ARM	LSS81671	SHAFT
LSS80309	LH TRACK	LSS82876	SPACER
LSS803104	VALVE MOUNTING ANGLE	LSS82949	WASHER
LSS80350	RH M8 FRAME END PANEL	LSS83189	CLAMP CENTER DEFLECTOR
LSS80350HD	HD ELEVATOR REPAIR PANELS	LSS83358	REAR BROOM SHAFT SPACER
LSS80351	LH M8 FRAME END PANEL	LSS83416	REAR BROOM SHAFT SPACER
LSS80351HD	HD ELEVATOR REPAIR PANELS	LSS83443	PIN
LSS803889	CHAIN	LSS83467	SPACER
LSS803890	CHAIN	LSS83742	SHIM
LSS80404	DRAPE ROD	LSS83744	SHIM
LSS80422	CABLE	LSS83749	RH SEAL BAR
LSS80444	REAR FENDER SUPPORT	LSS83750	LH SEAL BAR
LSS805179	BLEEDER SCREW	LSS83816	AIR TUBE
LSS80519	SPACER	LSS83824	CABLE
LSS80520	SPACER TUBE	LSS84269	T-PLATE RETAINER
LSS80523	SPACER	LSS84750	DEFLECTOR PLATE
LSS80524	SPACER	LSS84755	SPACER
LSS80529	PIN	LSS84756	WASHER PLATE
LSS80530	PIVOT PIN	LSS84792	SHIM
LSS80534	SET COLLAR	LSS84998	COVER
LSS80534A	COLLAR W/O SET SCREW	LSS85320	RH HOPPER GATE TRACK ANGLE
LSS806245	MOTOR MOUNT	LSS85321	LH HOPPER GATE TRACK ANGLE
LSS806622	EXHAUST FLEX TUBE	LSS85485	REAR BROOM SHAFT SPACER
LSS80671	CHAIN, 3/16" X 55 LINKS	LSS85486	REAR BROOM SHAFT SPACER
LSS806796	SIDE BAR	LSS85643	WATER PUMP DRIVE PULLEY
LSS806797	MOUNTING FOOT	LSS85845	HANDLE, VALVE
LSS806798	BRACE	LSS85901	ELEVATOR SHIM, 1/4
LSS806799	CROSSBRACE	LSS85902	ELEVATOR SHIM, 3/16
LSS807074	LIFT CHAIN	LSS85903	ELEVATOR SHIM, 11 GA
LSS80718	CHAIN, 11 LINKS	LSS86138	GB TILT PIVOT BLOCK
LSS80806	CHAIN, BROOM FLOAT	LSS87469	BROOM LIFT CHAIN
LSS80818	MAIN BROOM SPACER	LSS87586	WASHER STRIP
LSS808203	BEARING SPACER	LSS88214	SPACER
LSS80860	BROOM LIFT SHAFT	LSS88301	PIVOT PIN



LSS85643

LSS814192

CATALOG KEY

Lacal Equipment's Sweeper Parts Item Numbers consist of the prefix "LS" (for "Lacal Sweeper") followed by the part number.

OUR COMMON ABBREVIATIONS:

- M.B. = MAIN BROOM
- C.B. = CENTER BROOM
- S.B. = SIDE BROOM
- G.B. = GUTTER BROOM
- BAH = BROOM ASSISTED HEAD
- HD = HEAVY DUTY
- S.S. = STAINLESS STEEL
- RH = RIGHT HAND
- LH = LEFT HAND
- ASSY = ASSEMBLY
- MNT / MTG = MOUNT / MOUNTING
- GEO = GUTTERBROOM EXTENSION OVERRIDE
- HYD = HYDRAULIC
- TH = THICK
- BRKT = BRACKET
- KT = KIT
- W/ (AND W/O) = WITH (AND WITHOUT)
- CYL = CYLINDER
- ABO = ADJUSTABLE BLAST ORIFICE
- ELEV = ELEVATOR
- CONV = CONVEYOR
- WELD = WELDMENT
- HDW = HARDWARE
- STD = STANDARD
- P.U. / P.U.H. = PICKUP / PICKUP HEAD
- UHMW = ULTRA-HIGH MOLECULAR WEIGHT
- SYS = SYSTEM
- PWR / MAN = POWER / MANUAL
- S/N = SERIAL NUMBER

GET MORE INFORMATION: CALL 800.543.6161 • EMAIL SALES@LACAL.COM

ALL PARTS ARE GUARANTEED TO MEET WITH YOUR APPROVAL. Lacal Equipment is in no way implying that any of our products are original equipment parts. All original equipment manufacturer's names, drawings, colors and part numbers are used for identification purposes only.

This Is Just A Sample of Our Most Popular Parts • Additional Parts Available



LSW800676

LS800316

LSW804394

LS801912

LSW803002

MOBIL		MOBIL		MOBIL	
LSS88302	PIVOT PIN	LSW402883	DEFLECTOR BRACKET WELDMENT	LSW801611	UPPER LIFT CYLINDER HANGER
LSS88308	CHAIN	LSW403038	DRAG SHOE TOP	LSW801896	LH BROOM STRUT
LSS88597	WIRE ROPE	LSW403039	RH DRAG SHOE TOP	LSW801897	RH BROOM STRUT
LSS88779	DUMP CYLINDER PIN	LSW403088	LH DIRT SHOE ANGLE	LSW801899	MOTOR BRACKET
LSS88813	M9 FRONT PUMP COVER	LSW403089	RH DIRT SHOE ANGLE	LSW80190A	RH END SPRAY PIPE
LSS88953	HOPPER GATE PIN	LSW403148	LH DRAG SHOE	LSW801912	UPPER ELEV. SHAFT
LSS88957	ELEVATOR SEAL CLAMP	LSW403149	RH DRAG SHOE	LSW801940	DBL ROW CARB RUNNER SET
LSS88959	SEAL STRIP	LSW403156	LIFT LEVER	LSW801943	RH LOWER ELEVATOR PANEL, M9 SPRING
LSS89031A	PIN, SCISSORS, LOWER LINK	LSW403791	LH SUPPORT, ROLLER, LOWER	LSW801944	LH LOWER ELEVATOR PANEL, M9 SPRING
LSS89034	FLIGHT RETAINER ANGLE	LSW403792	RH SUPPORT, ROLLER, LOWER	LSW80199	SPRAY BAR
LSS89146	COVER BRACKET HINGE	LSW403823	CONVEYOR ROLLER UPPER	LSW802447	UPPER GUTTER BROOM LIFT LINK
LSS89441	HOPPER GATE LINK	LSW403826	CONVEYOR ROLLER LOWER	LSW802448	UPPER LIFT LINK
LSS89602	ROLLER W/BRONZE BEARING	LSW800315	LH MOTOR SUPPORT BRACKET	LSW802516	INSIDE ADJ SCREW
LSS89602A	ROLLER W/OUT BEARING	LSW800316	RH MOTOR SUPPORT BRACKET	LSW802518	OUTSIDE ADJ SCREW
LSS89611	LOWER ROLLER SHAFT	LSW800513	RH LIFT LEVER	LSW802967	BRACKET, PIVOT
LSS89655	DOOR LATCH	LSW800676	M.B. STUB SHAFT 4-BOLT ROUND FLANGE	LSW802991	DRAPE BAR W/GUSSETS, TOP GUN
LSS89770	SPACER	LSW800686	M9 DIRT HOPPER	LSW803002	LH BEARING SLIDE PLATE
LSS89810	ROLLER RETAINING WASHER	LSW800714	M9 LOWER HOPPER GATE	LSW803116	REAR CROSSMEMBER, SCISSORS
LSS89864	LH FENDER SUPPORT	LSW800714KIT	M9 HOPPER GATE COMPONENT KIT	LSW803118	CROSSMEMBER, FRONT, 4-STAGE
LSS89865	RH FENDER SUPPORT	LSW800718	UPPER HOPPER GATE, M9, M8A, M9A, M9B	LSW803119	FRONT CROSSMEMBER, SCISSORS
LSS89935	BUSHING SPACER	LSW800823	WATER TANK COVER	LSW803136	LOWER HOPPER GATE, M8A, M9A, M9B
LSW1004458	SKID SHOE	LSW800826A	M9 WATER TANK, STEEL	LSW803193	LH FRONT BUMPER
LSW1004984	IDLER ARM SHAFT MOUNT	LSW800838A	M8 WATER TANK, 4-YARD	LSW803194	RH FRONT BUMPER
LSW400050	LIFT ARM	LSW801017	M9 LH LOWER ELEVATOR PLATE	LSW803305	UPPER ELEVATOR SHAFT
LSW401987	LH DIRT SHOE PLATE	LSW801018	M9 RH LOWER ELEVATOR PLATE	LSW803311	LOWER ELEVATOR SHAFT
LSW401988	RH DIRT SHOE PLATE	LSW801108	COVER, ELEVATOR, FLUSHER	LSW803325	RH BUMPER TIE
LSW401999	LH H10 LOWER FRAME END PLATE	LSW801563	ELEVATOR FLAP SUPPORT	LSW803406	RH REAR FENDER
LSW402001	RH H10 LOWER FRAME END PLATE	LSW801583	LOWER LIFT CYLINDER HANGER	LSW803501	RH SLIDE PLATE
LSW402354	BROOM CORE, WAFER, WEIGHTED	LSW801588	HANGER "C"	LSW803521	LH FRAME END PANEL, LIGHTFOOT
LSW402380	SPRING WELDMENT	LSW801590	HANGER "D"	LSW803522	RH M9A ELEV. LOWER PANEL, 5-YD.
LSW402416	DIRT SHOE MOUNTING ANGLE	LSW801596	CYLINDER HANGER WELD. PIN	LSW80368	M8 DRAPE BAR W/GUSSET
LSW402417	DIRT SHOE MOUNTING ANGLE	LSW801609	LOWER LIFT CYLINDER HANGER	LSW80373	SPRAY BAR
LSW402590	LH DRAG SHOE TOP				
LSW402591	RH DRAG SHOE TOP				
LSW402680	SPRING WELDMENT				

GET MORE INFORMATION: CALL 800.543.6161 • EMAIL SALES@LACAL.COM

ALL PARTS ARE GUARANTEED TO MEET WITH YOUR APPROVAL. Lacal Equipment is in no way implying that any of our products are original equipment parts. All original equipment manufacturer's names, drawings, colors and part numbers are used for identification purposes only.

This Is Just A Sample of Our Most Popular Parts • Additional Parts Available



SCHWARZE

LS21033HD	HOSE, 12" I.D. X 24" LG. X 3" CUFFS
LS21035	LIGHT HOSE, 10" X 28" LG, NO CUFFS
LS21035HD	HOSE, HD, 10" X 28" X 2" CUFFS
LS210389	FLIGHT ASSEMBLY
LS21049	HOSE, 14" I.D. X 38" LG. X 3" CUFFS
LS21428030	SEAL MATERIAL 1/4 X 1-1/4, 30"
LS21506	LIMIT SWITCH
LS21699018	UPSTOP PAD
LS21699090	MIDDLE FLAP PUNCHED
LS21699092	PUNCHED FLAP
LS21699102	S333 PUNCHED REAR FLAP
LS21699110	PUNCHED REAR FLAP
LS21702	1/4 X 6-1/2, RUBBER, NO HOLES
LS21702084	S333 PUNCHED FRT/MID FLAP
LS21702090	PUNCHED FRONT FLAP
LS21702092	PUNCHED FRONT FLAP
LS21705060	CURTAIN
LS21706081	A4000 FRONT CURTAIN
LS21706090	PUNCHED CURTAIN
LS21707	FLAP, 3/8" X 9-1/2" PER FT
LS21707064	CENTER DEFL. CURTAIN, PUNCHED
LS21707081	A4000 MIDDLE CURTAIN
LS21707117	BLOWER HOUSING LINER, NO PUNCH
LS21707170	A7000 BLOWER HOUSING LINER
LS21708025	CURTAIN
LS21708090	FRONT OUTER CURTAIN, PUNCHED
LS21709081	REAR CURTAIN
LS22034	FILTER, 1-1/4" RETURN W/HEAD
LS22184	SEAL MTL., 3/8" X 1-1/4" W/ADH.
LS22189070	SIDETRIM SEAL
LS22429	SPRAYTIP, KJET BRASS
LS22440	V-BELT, BANDED (5) BANDS

SCHWARZE

LS22842	SPLITTAPER BUSHING
LS23103	10 FLIGHT ELEVATOR CHAIN
LS23107	ELEVATOR MOTOR
LS23113	SPRING, GAS 6" KIT
LS23130	CONTROL CABLE, 132"
LS23131	CONTROL CABLE, 144"
LS23151081	CURTAIN
LS23169	SPLITTAPER BUSHING
LS23275	SHIRT
LS23450	SHACKLE W/BOLT & NUT
LS23736	BROOM ARBOR
LS23883	SEAL MTL., 3/4" X 1-1/2" W/ADH.
LS23892	NYLON LOCKNUT, S. S., 10-24
LS24006	SPRING, EXTN. 31/320D X 6" L
LS24117	11 FLIGHT ELEVATOR CHAIN
LS25012	STRIP BRUSH, .5" X 6.5" X 46
LS25013	STRIP BRUSH, 1/2" X 5-1/4" X 39"
LS25048	NOZZLE, 1/4" BRASS SPRAY
LS25088	KEYED SHAFT
LS25098	CASTER ASSEMBLY W/SPRINGS
LS25151	U-JOINT ASSEMBLY
LS25248	COUPLING, 3 PIECE, SPLIT
LS25667	INTAKE SCROLL
LS25947078	INSPECTION DOOR SEAL
LS25947097	SEAL MATERIAL
LS26418	14 FLIGHT ELEVATOR CHAIN
LS26418A	ELEV. CHAIN W/FLIGHT ASSEMBLY
LS26426	LOWER ELEVATOR SHAFT
LS26455	CORDED RUBBER, PER FT
LS26632015	HOSE, 3/8" 250 PSI PUSHLOK
LS26632016	HOSE, 3/8" 250 PSI PUSHLOK
LS26632076	HOSE, 3/8" 250 PSI PUSHLOK
LS26945	ELBOW, 90-DEG. 1/4 FLARE X 1/4 FNP
LS27413	FLIGHT RUBBER
LS27479	UPPER ELEVATOR SHAFT

SCHWARZE

LS27479ASSY	UPPER ELEVATOR SHAFT ASSY.
LS27479B	SLIDING FLANGE, 3/8" THICK
LS27746	ARBOR FOR A7000 BROOM & HEAD
LS27981	CASTER ASSY., 10" X 3" W/1-1/4 AXLE
LS28537	CASTER AXLE KIT
LS28537SHAFT	SHAFT WELDMENT
LS28632	FLIGHT RUBBER
LS28649	BROOM ARBOR ASSEMBLY
LS28671	21 TOOTH SPROCKET, HARDENED
LS28708	30 TOOTH SPROCKET, HARDENED
LS28901	ELEV. CHAIN, 78P. /13 ATTACH.
LS29102	E-STYLE EXTERNAL RET. RING 1"
LS29114	24 TOOTH SPROCKET, HARDENED
LS29133	S.S. PIANO HINGE, 2-1/2" X 48"
LS29135	S.S. PIANO HINGE, 2.5" X 28"
LS29145	M6000 M.B. DRIVE CHAIN
LS29146	ELEVATOR DRIVE CHAIN
LS29226	M.B. COVER HINGE, S.S.
LS29273	WATER TANK
LS29279	LONG ALUMINUM DOOR HINGE
LS29320	A7000/A8000 CURTAIN SET W/ HDW.
LS29321	FAN HOUSE LINER KIT, 347/348
LS29333	CURTAIN SET W/HDW, 347/348
LS29336	PUNCHED CURTAIN SET W/HDW.
LS29337	A4000 BLOWER HOUSING LINER KIT
LS29338	POWER HEAD CURTAIN SET W/ HDW.
LS29339	BLOWER HOUSING LINER KIT
LS29342	HEAD STOP FLAP, A7, A8, A9
LS29367	FLAP, CENTER A7 GMC, STERLING
LS29444	SQUEEGEE
LS29986	4" ACTUATOR, 1200 LB.
LS300077	PICKUP HEAD ASSY., ADJ. ORFICE

This Is Just A Sample of Our Most Popular Parts • Additional Parts Available



SCHWARZE

LS300077W	BARE P.U.H. ADJ. ORIFICE TYPE
LS3001137	FAN SHAFT JD 140 ENG.
LS300152	ADJ BLAST ORIFICE BRACKET
LS300216	COUNTERBALANCE SLEEVE WELD.
LS300217	COUNTERBALANCE JACKSCREW
LS300278SCH	HEAD W/REMOVABLE PRESTRANS
LS300279	REMOVABLE TRANSITION
LS32132	BUTTON SOCKET S.S. 10-24 X 1/2
LS344I	MODEL 344i KIT
LS346IKIT	MODEL 346i KIT
LS352409	LEFT HAND ARM WELDMENT
LS4000MAXIKIT	4000 MAXI KIT
LS4000MINIKIT	4000 MINI KIT
LS42883	KEY, 5/16" X 5/16" X 2"
LS5200087	SUCTION CURTAIN
LS520014	A7000 P.U.H., FIXED ORIFICE
LS5200140	HOSE HOLDER
LS520019	A7000 FAN HOUSING, STD.
LS520019H	BLEEDER DOOR, S.S.
LS520019I	BLEEDER DOOR VANE, S.S.
LS520029	LH DRAG ARM (NON ADJUSTABLE)
LS520030	CENTER DEFLECTOR BRACKET
LS5200439	CLAMP
LS5200701	PIVOT BAR
LS5201794	DUMP DOOR HINGE PIN
LS5202023	CURTAIN CLAMP
LS5202581	FAN SHAFT
LS520310	A7000 LOWER HOPPER SUCTION TUBE
LS520311	HOPPER HINGE PIN
LS5203726	FRONT & MIDDLE CURTAIN CLAMP
LS5203727	REAR CURTAIN CLAMP
LS5203877	DRAG ARM
LS5203926	HOSE BRACKET

SCHWARZE

LS520396	HOPPER INSPECTION DOOR 7000
LS5203978	HEAD STOP OUTER BRACKET
LS5203979	HEAD STOP INNER PLATE
LS5204003	SHAFT
LS520425	PLATE & SKID SHOE (1PC)
LS5204418	DOOR CYLINDER PIN
LS5204419	H/H COVER DOOR
LS5204427	GUARD BROOM
LS520463	DEFLECTOR FLAP MOUNT
LS520479	DOOR PROP WELDMENT
LS5204856	BROOM DRIVE HUB
LS5204931	RH SPRING HANGER
LS5204932	LH SPRING HANGER
LS5205123	HINGE
LS5205136	ROOF DOOR DOOR LATCH
LS5206371	ATTACHING RING, 8"
LS520644	HOPPER INTAKE TUBE
LS520673	A7000 IMPELLER
LS520695	RH DRAG ARM (NON ADJUSTABLE)
LS5207095	IDLER ARBOR
LS5207160	ROD END, DRILLED & TAPPED
LS5207211	ACTUATOR PIN
LS5207229BAH	BLAST ORIFICE SHIM, BAH
LS5207233	MOTOR ARM
LS5207250	CURTAIN BACKING STRIP
LS5207254	SELF-ALIGNING SLIDE NUT
LS5207259	TOWER POWERHEAD BOOT
LS5207450	HOPPER ROOF DOOR
LS520804	BLOWER WHEEL, 28" STD.
LS520823	MOUNTING PLATE, 5" HAND HOSE
LS520824	CAP DOOR WELDMENT
LS520829	DIRT HOPPER
LS520829ASSY	HOPPER ASSEMBLY
LS520831	HAND HOSE DOOR

SCHWARZE

LS520845	HOPPER INSPECTION DOOR
LS520845SS	HOPPER INSPECTION DOOR, S.S.
LS520846	DUMP DOOR
LS520846SS	HOPPER DUMP DOOR, S.S.
LS520873	BAR MAGNET MOUNT ISUZU NPR-W4
LS520886	UPSTOP
LS520887	UPSTOP
LS520940	PICKUP HEAD
LS520940F	INLET TUBE
LS520941	BROOM TURNBUCKLE
LS520966	HAND HOSE 8" HANDLE
LS5210301	BLOWER SHAFT
LS5210400	FLAP
LS521063	SR SKID SHOE W/PLATE
LS521079	HAND HOSE 8" TRANSITION PLATE
LS521089	BROOM TIE ROD (LONG)
LS5211063	HINGE PLATE
LS521132	FRONT SPRAY BAR, 72"
LS5211436	PUNCHED KICKER FLAP
LS5211447	DIVIDER BACKING STRIP
LS5211455	PUNCHED DIVIDER FLAP
LS5211456	KICKER BACKING STRIP
LS521158	ENGINE LEG-REAR PREP
LS5211827	BLAST ORIFICE FLAP
LS521189B	DR CARBIDE SHOE W/PLATE
LS521189BA	BOLT-ON SHOE ONLY
LS521189BB	PLATE ONLY
LS5211908	A4000 FAN SHAFT
LS521197	FRAME TRANSITION TUBE
LS5212242	FAN SHAFT, 347/348
LS5212813	DRAIN COVER PLATE
LS5213212	SHIM ADJ BLAST ORIFICE
LS521328	30" STD IMPELLER 340/347/348
LS5213487	OUTRIGGER SENSOR BRACKET

GET MORE INFORMATION: CALL 800.543.6161 • EMAIL SALES@LACAL.COM

ALL PARTS ARE GUARANTEED TO MEET WITH YOUR APPROVAL. Lecal Equipment is in no way implying that any of our products are original equipment parts. All original equipment manufacturer's names, drawings, colors and part numbers are used for identification purposes only.

GET MORE INFORMATION: CALL 800.543.6161 • EMAIL SALES@LACAL.COM

ALL PARTS ARE GUARANTEED TO MEET WITH YOUR APPROVAL. Lecal Equipment is in no way implying that any of our products are original equipment parts. All original equipment manufacturer's names, drawings, colors and part numbers are used for identification purposes only.

This Is Just A Sample of Our Most Popular Parts • Additional Parts Available



SCHWARZE

LS5214167	FAN HOUSING LINER, 347/348
LS5214182	WATER POD TRAY
LS5214617	FAN HOUSING DOOR LINER
LS5214707	FRONT FLAP
LS5214708	REAR FLAP
LS5214857	FAN SHAFT, 1-11/16 X 39"
LS521495	24" DR CARBIDE SHOE W/PLATE
LS521518	HOPPER INSPECTION DOOR
LS5215512	CURTAIN
LS521645	POWERHOOD WELDMENT
LS521645ASSY	A8000 PICKUP HEAD ASSY.
LS521647	D.R. CARBIDE SKID SHOE W/PLATE
LS521649	ACTUATOR TOWER (7000 BAH)
LS521654	ADJUSTABLE BLAST ORIFICE, BAH
LS521655	JACKSCREW, HEAD (POWER) 7000
LS521703	INSPECTION DOOR LATCH
LS521824	DRAG ARM
LS521850	LH GUTTER BROOM ARM
LS521851	RH GUTTER BROOM ARM
LS521852	LH TILT LEVER PIVOT
LS521853	RH TILT LEVER PIVOT
LS521885	SUCTION TUBE & FLANGE WELD.
LS521948	PICKUP HEAD
LS521951	IMPELLER, A3000, 347/348
LS522053	LH BAH UPSTOP
LS522054	RH BAH UPSTOP
LS522104	LH G.B. MOTOR BRACKET
LS522105	RH G.B. MOTOR BRACKET
LS522131	1-1/4" DIAMETER CASTER AXLE
LS522190	OUTRIGGER
LS522191	OUTRIGGER FOOT
LS522209	GUTTER BROOM T-PIN WELDMENT
LS522257	CASTER ASSEMBLY, 10" X 3" W/ 3/4" AXLE
LS522317	A7000 BLOWER HOUSING

SCHWARZE

LS522319	30" REVERSE CURVE FAN W/ BUSH.
LS522320	FAN HOUSING BACK PLATE
LS522325	A4000 SHROUD WELDMENT
LS522325-328	A4000 HOPPER & SHROUD WELD.
LS522325KIT	A4000 SHROUD KIT
LS522326	HOPPER SCREEN
LS522328	DIRT HOPPER WELDMENT
LS522328-325	A4000 HOPPER & SHROUD WELD.
LS522328ASSY	A4000 HOPPER ASSEMBLY
LS522329	SEPARATOR DOOR
LS522337	FAN HOUSING CENTER PLATE
LS522339T	A7000 IMPELLER W/BUSHING
LS522346	BLOWER HOUSING
LS522360	A4000 BLOWER HOUSING WELD.
LS522361	FAN COVER PLATE WELDMENT
LS522364	TRANSITION WELDMENT
LS522366	DRAG LINK, BAH, NON-ADJ
LS522369	LH SIDE HEADSTOP
LS522370	RH SIDE HEADSTOP
LS522372	28" REVERSE-CURVE FAN, 3" WIDE
LS522373	BEARING PORT COVER
LS522374	TURNBUCKLE
LS522375	SIDE INSPECTION DOOR W/LATCH
LS522390	DRAG ARM WELDMENT
LS522399	LH DUMP DOOR HINGE
LS522400	RH DUMP DOOR HINGE
LS522464	LH HEAD STOP WELDMENT
LS522465	RH HEAD STOP WELDMENT
LS522482	A8000 REAR SCREEN
LS522483	A8000 FRONT SCREEN
LS522517	LH UPSTOP
LS522518	RH UPSTOP

SCHWARZE

LS522595	S347/348 DIRT HOPPER
LS522599	S348 HOPPER DUMP DOOR
LS522600	S348 HOPPER ROOF DOOR
LS522601	S348i HOPPER SCREEN
LS522604	DUMP DOOR HINGE
LS522605	SEPARATOR DOOR
LS522628	SEPARATOR DOOR WELDMENT
LS522629	SEPARATOR DOOR WELD., S.S.
LS522660	UPPER QUICK ATTACH
LS522709	PICKUP HEAD WELD., ADJ. ORIFICE
LS522709ASSY	PICKUP HEAD WELD., ADJ. ASSY.
LS522711	LH DP BROOM MOTOR BRACKET
LS522712	RH DP BROOM MOTOR BRACKET
LS522718	PICKUP HEAD, QD FLANGE, ADJ.
LS5227181	PICKUP HEAD, STD., ASSEMBLED
LS5227182	PICKUP HEAD WELDMENT, QD, W/ RUBBER
LS522735	LH ADJUSTABLE DRAG ARM
LS522736	RH ADJUSTABLE DRAG ARM
LS522737	RH ADJUSTABLE DRAG ARM
LS522737A	RH DRAG ARM BRACKET
LS522738	LH ADJUSTABLE DRAG ARM
LS522738A	LH DRAG ARM BRACKET
LS522760	RH A7000 HOPPER SCREEN
LS522761	LH A7000 HOPPER SCREEN
LS522762	RH HOPPER SCREEN, S.S.
LS522763	LH HOPPER SCREEN, S.S.
LS522804	QUICK DISCONNECT
LS522833	REAR DROP DOWN SCREEN
LS522840	A7000 DRAIN SCREEN WELD.

BE SURE TO CHECK OUT OUR SELECTION OF BROOMS BEGINNING ON PAGE 83 OF THIS CATALOG.

GET MORE INFORMATION: CALL 800.543.6161 • EMAIL SALES@LACAL.COM

This Is Just A Sample of Our Most Popular Parts • Additional Parts Available



SCHWARZE

LS522853	STRAP, HANGER 150-GAL. WATER TANK
LS522860	HOPPER W/WELD. IN SUCT. TUBE
LS522867	CENTER MOUNT PULLEY, REMOTE SCREEN
LS522878	REAR SCREEN, S.S.
LS522891	RH BENT SECTION
LS522891/523822	LH DRAG ARM ASSEMBLY
LS522892	LH BENT SECTION
LS522892/523823	RH DRAG ARM ASSEMBLY
LS522945	WATER FILL ASSEMBLY
LS522983	ACTUATOR BASE PLATE WELD.
LS523057	WATER TANK STRAP BRACKET
LS523058	FILL HOSE RACK
LS523064	ADJ. BLAST ORIFICE
LS523103	INTAKE TUBE
LS523151	FRAME WELDMENT, D/D SCREEN
LS523152	FRONT DROP DOWN SCREEN
LS523153	BOLT IN SUCT TUBE TYPE HOPPER
LS523154	DUMP DOOR
LS523156	HOPPER INTAKE TUBE WELDMENT
LS523159	HOPPER TOOLBOX DOOR
LS523167	FRONT SCREEN, S.S.
LS523169	TRANSITION TUBE MOUNT BRKT.
LS523170	TRANSITION TUBE WELDMENT
LS523171	DUMP DOOR, S.S.
LS523172	A7000 HOPPER, S.S.
LS523214	28" S333-SE IMPELLER
LS523282	LIMB GUARD
LS523314	IMPELLER REV. CURVE 32.75 X 5
LS523353	30" FAN 5 3/8" WHISPERWHEEL
LS523440	LH GUTTER BROOM ARM
LS523441	RH GUTTER BROOM ARM WELD
LS523487	RH WIDER GUTTER BROOM TUBE
LS523488	LH WIDER GUTTER BROOM TUBE

SCHWARZE

LS523656	HOPPER INTAKE TUBE
LS523707	A7000 IMPELLER 32.75" X 5"
LS523822	LH DRAG LINK
LS523823	RH DRAG LINK
LS524023	SWEEPING HEAD
LS524278	FLAP MOUNT WELDMENT
LS525166	LHD HOPPER INTAKE TUBE, A4T
LS525423	BOLT-ON WELD. OUTLET TUBE
LS525425	A7000 HEAD WELDMENT ONLY
LS55004	SOLENOID DIRECTIONAL CARTRIDGE
LS59256090	PUNCHED CURTAIN
LS59574	3VX BANDED COGGED BELT, 8 BANDS
LS60024	AHH NOZ & STOB ASSEMBLY
LS60589	CHAIN W/COTTER PIN
LS6200089	PIVOT ARM (MURPHY)
LS620012	DRAP HINGE
LS6200127	OUTRIGGER PIN CYLINDER
LS6200145	WEAR PAD
LS6200146	FRAME SPACER PLATE
LS620016	LOWER BEARING CAGE
LS620018	ELEVATOR DEFLECTOR DOOR
LS620020	DEFLECTOR DOOR
LS6200206	CLAMP
LS6200343	THIN (BRIDGE) SPACER
LS6200344	MEDIUM (BRIDGE) SPACER
LS620036	LOWER GUTTER BROOM ARM
LS620037	UPPER GUTTER BROOM ARM
LS620039	GUTTER BROOM ARM ASSEMBLY
LS620055	MAIN BROOM TOW BAR WELD.
LS6200571	9.6 DUMP PIVOT PIN
LS620063	HOPPER CYLINDER PIN (MURPHY)
LS6200704	UPPER SEAL BACKER STRIP

SCHWARZE

LS6200705	BOTTOM FLAP BACKING STRIP
LS6200742	CLAMP
LS6200757	UPPER SHAFT ADJUSTER
LS6200761	ELEVATOR FLOOR, 87.25"
LS6200780	SIDE UPPER SEAL FLAP
LS6200781	TOP SEAL ELEVATOR FLAP
LS6200782	BOTTOM SEAL ELEVATOR FLAP
LS6200783	FLIGHT SQUEEGEE
LS6200784	DRAP RUBBER ONLY
LS6200800	LONG FLOOR PLATE, 101"
LS6200815	M5000 FLIGHT ANGLE WELDMENT
LS6200815ASSY	M5000 FLIGHT ASSEMBLY
LS620099	BROOM WAFER CORE
LS6201052	M.B. END PLATE, TUFT CORE
LS6201061	MAIN BROOM SHAFT
LS620110	BROOM FRAME
LS6201127	SPACER
LS6201258	ROD FOR SCHWARZE SWEEPER
LS620146	TORQUE ARM CATCHER
LS6202069	MAIN BROOM PIVOT EAR
LS6202169	REAR CARTRIDGE ANCHOR
LS6202226	ELEV HOUSING ADJ SLEEVE
LS6202229	ELEVATOR FLOOR PLATE, AR
LS6202314	REAR MAIN BROOM FLAP
LS6202315	MAIN BROOM FRONT FLAP
LS6202386	CORNER RUBBER FLAP
LS6202407	DIRT DEFLECTOR
LS6202408	MAIN BROOM SKIRT
LS6202415	FOOT OUTRIGGER PIN
LS620418	LONG ELEVATOR FRAME
LS620441	MAIN BROOM FRAME CONNECTOR
LS620441538539	MAIN BROOM FRAME ASSY.
LS620446	LH OUTER BRUSH CLAMP
LS620447	RH OUTER BRUSH CLAMP

GET MORE INFORMATION: CALL 800.543.6161 • EMAIL SALES@LACAL.COM

This Is Just A Sample of Our Most Popular Parts • Additional Parts Available

SCHWARZE

LS620449	BROOM COVER UPPER
LS620453	MAIN BROOM ADJ
LS620538	LH MAIN BROOM SIDE PLATE
LS620539	RH MAIN BROOM SIDE PLATE
LS620554	4000, M4000 DIRT HOPPER
LS620557	BROOM STABILIZER SHOCK
LS620582	MAIN BROOM WAFER CORE
LS620588	LH G.B. MOUNT BRACKET
LS620589	RH G.B. MOUNT BRACKET
LS620857	TOW RAIL WELDMENT
LS620858	MAIN BROOM FRAME
LS620860	TORQUE ARM WELDMENT
LS620862	M.B. BEARING W/ADJUSTER
LS620863	HOOK, LIFT, ELEV., LHS M.B.
LS620864	HOOK, LIFT, ELEV., RHS M.B.
LS620865	LIFT WELDMENT, ELEVATOR M.B.
LS620867	HOOK, LIFT BROOM, LHS M.B.
LS620868	HOOK, LIFT BROOM, RHS M.B.
LS620869	M5000 DIRT HOPPER, RH DUMP
LS620870	LH HOPPER DUMP DOOR
LS620871	RH HOPPER DUMP DOOR
LS620883	ELEVATOR CUP
LS620887	ELEVATOR JACKSCREW
LS620888	SHAFT ADJ ELEV. JACKSCREW
LS620889	ARM SHAFT MOTOR MOUNT
LS620890	ANCHOR CAP ELEV. HOUSING
LS620893	SEAL PLATE
LS620899	BROOM DISC WELDMENT
LS620902	TOW RAIL HITCH
LS620904	LH BOTTOM ELEVATOR ADJUST
LS620905	RH BOTTOM ELEVATOR ADJUST
LS620906	ADJUSTER SLEEVE
LS620907	MAIN BROOM COVER
LS620908	TOP TIE ROD
LS620909	BOTTOM TIE ROD
LS620925	LH BRUSH RAIL TRACK
LS620926	RH BRUSH RAIL TRACK
LS620927	MAIN BROOM DEFLECTOR
LS620933	CENTER DEFLECTOR WELDMENT
LS620937	MAIN BROOM MOTOR COVER
LS620945	TORQUE ARM
LS620966	DOWN PRESSURE ASSEMBLY
LS64245	LOWER CONVEYOR SHAFT WELD.
LS64246	UPPER CONVEYOR SHAFT WELD.
LS64247	ELEVATOR FLIGHT RUBBER
LS64249	ELEVATOR DRAG SKIRT
LS64249HD	ELEVATOR DRAG SKIRT, HD
LS64250	MAIN BROOM ARBOR
LS64252	MAIN BROOM SHAFT COUPLER
LS64258	DRAG SHOE ATTACHING RUBBER
LS64270	M6 MAIN BROOM SKIRT
LS64287	HOPPER INLET FLAP, RIGHT
LS64303	CONVEYOR SIDE DEFLECTOR
LS64415	BENT RUBBER DRAG SHOE

SCHWARZE

LS6500268	MAIN BROOM CHAIN GUARD
LS6500338	SPACER
LS6500358	HINGE
LS6500359	HINGE
LS650036	CHAIN TENSION PLATE WELDMENT
LS6500391ASSY	LOWER SIDE PLATE
LS6500391SP	M6000 RH LOWER SIDE PLATE
LS6500392ASSY	LH LOWER SIDE PLATE
LS6500392SP	M6000 LH LOWER SIDE PLATE
LS6500394	INNER PANEL
LS650040	RH DRAG SHOE PLATE
LS650041	LH DRAG SHOE PLATE
LS650043	ELEV. MOTOR MOUNT WELDMENT
LS6500483	SHORT PIVOT PIN
LS6500485	LONG PIVOT PIN
LS650054	SCISSOR BASE FRAME
LS650055	LOWER SCISSOR ARM
LS650061	HOPPER PIVOT PIN W/ZERK
LS650063	HINGE PIN
LS650064	PIN
LS650067	UPPER LIFT FRAME WELDMENT
LS650068	SCISSOR ARM
LS6500702	G.B. DISC, 4 OR 5 SEGMENT
LS650072	M6000 DIRT HOPPER, 5-YD.
LS650072ASSY	M6000 HOPPER ASSEMBLY
LS650073	M6000 HOPPER DUMP DOOR
LS650076	UPPER HOPPER DUMP CYL. PIN
LS6500770	PIVOT PIN, BROOM ARM
LS6500771	LOWER ELEVATOR LINK PIVOT PIN
LS6500772	ELEVATOR LINK UPPER PIVOT PIN
LS650078	LOWER SCISSOR WELDMENT
LS6500780	ELEVATOR DRAPE HINGE ROD
LS650079	UPPER SCISSOR ASSEMBLY
LS650081	RH MAIN BROOM ARM
LS650082	LH MAIN BROOM ARM
LS6500821	BROOM SPACER
LS650087	ELEVATOR LINK PIN
LS6500879	HOPPER FLOOR DOOR
LS6500937	PIN
LS650095	G.B. LOWER LINK W/O BUSHINGS
LS6500950	PIN
LS650096	RH G.B. BASE WELDMENT

SCHWARZE

LS650097	RH HEAD MOUNT
LS6500985	FLOOR JOINT
LS650099	RH HEAD PIVOT WELDMENT
LS6501009	LIFT CYLINDER PIN RETAINER
LS650104	LINK PIVOT PIN
LS650105	HEAD PIVOT PIN
LS6501072	HOPPER DUMP DOOR CYL. PIN
LS650108	LIFT CAM
LS6501096	RUBBER DRAG SHOE SEAL (NEOPRENE)
LS6501146	LEAF LIFT LINK
LS6501183	ELEVATOR DRAG SKIRT
LS650121	SLIDE BLOCK
LS6501280	TOP HOPPER INLET FLAP
LS6501281	BOTTOM HOPPER INLET FLAP
LS6501282	LEFT HOPPER INLET FLAP
LS6501283	RIGHT HOPPER INLET FLAP
LS6501293	G.B. RAISE WEAR PAD PLATE
LS650130	LH G.B. BASE WELDMENT
LS6501329	ELEVATOR DUST COVER
LS6501330	ELEVATOR UPPER LINER
LS6501331	ELEVATOR LOWER LINER
LS650136	LH HEAD PIVOT WELDMENT
LS6501384	HOSE TRAY SIDES
LS6501385	HOSE SHELF
LS650140	UPPER ELEV. SHAFT WELDMENT
LS6501417	INSPECTION DOOR
LS6501432	ANGLE HOPPER SEAL BRACKET
LS650144	LOWER ELEV. SHAFT WELDMENT
LS6501484	SLIDING FLANGE
LS650150	G.B. HUB WELDMENT
LS6501585	ELEVATOR WASHER PIPE
LS6501600	MAIN BROOM SPACER
LS6501703	FLIGHT CLAMP
LS6501706	ELEVATOR WEAR PLATE
LS6501719	M6000 LH FENDER SKIRT PANEL
LS6501747	M.B. COVER SIDES SPACER
LS6501752	LH M.B. CORNER BRACE WELD.
LS6501753	RH M.B. CORNER BRACE WELD.
LS650203	RH LEAF LIFT ASSEMBLY
LS650210	ELEVATOR LIFT LINK W/BUSHINGS
LS650213	CYLINDER ARM WELDMENT
LS650216	LH REAR BROOM LIFT ARM WELD.
LS650222	SHAFT WELD. REAR BROOM R/L
LS650224	RH REAR BROOM LIFTARM WELD.
LS650234	HOPPER DUMP DOOR PIN
LS6502466	CONVEYOR FLOOR LOWER PLATE
LS6502467	CONVEYOR FLOOR UPPER PLATE
LS6502477	CONVEYOR FLOOR JOINT
LS6502478	ELEVATOR FLIGHT CLAMP
LS650253	MAIN BROOM COVER ASSEMBLY
LS6502547	RETAINER PLATE
LS650258	DIRT DEFLECTOR ASSEMBLY

WAIT... I DON'T SEE THE PART I NEED!

Call **800.543.6161** to access our entire inventory of parts. This catalog is only a portion of the quality replacement parts that Lecal Equipment offers!

GET MORE INFORMATION: CALL 800.543.6161 • EMAIL SALES@LACAL.COM

ALL PARTS ARE GUARANTEED TO MEET WITH YOUR APPROVAL. Lecal Equipment is in no way implying that any of our products are original equipment parts. All original equipment manufacturer's names, drawings, colors and part numbers are used for identification purposes only.

This Is Just A Sample of Our Most Popular Parts • Additional Parts Available



LS650072



LS620902



LS620904



LS650108



LS650036

CATALOG KEY

Lecal Equipment's Sweeper Parts Item Numbers consist of the prefix "LS" (for "Lecal Sweeper") followed by the part number.

OUR COMMON ABBREVIATIONS:

M.B. = MAIN BROOM
 C.B. = CENTER BROOM
 S.B. = SIDE BROOM
 G.B. = GUTTER BROOM
 BAH = BROOM ASSISTED HEAD
 HD = HEAVY DUTY
 S.S. = STAINLESS STEEL
 RH = RIGHT HAND
 LH = LEFT HAND
 ASSY = ASSEMBLY
 MNT / MTG = MOUNT / MOUNTING
 GEO = GUTTERBROOM EXTENSION OVERRIDE
 HYD = HYDRAULIC
 TH = THICK
 BRKT = BRACKET
 KT = KIT
 W/ (AND W/O) = WITH (AND WITHOUT)
 CYL = CYLINDER
 ABO = ADJUSTABLE BLAST ORIFICE
 ELEV = ELEVATOR
 CONV = CONVEYOR
 WELD = WELDMENT
 HDW = HARDWARE
 STD = STANDARD
 P.U. / P.U.H. = PICKUP / PICKUP HEAD
 UHMW = ULTRA-HIGH MOLECULAR WEIGHT
 SYS = SYSTEM
 PWR / MAN = POWER / MANUAL
 S/N = SERIAL NUMBER

SCHWARZE

LS650258W	DEFLECTOR WELDMENT
LS6502634	DRAG SHOE ARM PIN
LS6502677	DRAPE SHAFT
LS6502685	UPPER HOPPER INLET CLAMP
LS650271	HOPPER SAFETY PROP
LS6502772	HOPPER CORNER GUARD
LS6502880	CONVEYOR SPRAYBAR BRACKET
LS650295	ELEVATOR CHAIN COVER
LS650318	H.P. SPRAYBAR FRONT
LS650320	G.B. MOTOR PIVOT END CAP
LS650322	HIGH PRESSURE SPRAY TIP
LS6503231	1/4" UPPER FLOOR
LS6503232	1/4" LOWER FLOOR
LS6503253	REAR DRAPE ROD ADJUSTER PLATE
LS650342	LOWER SHAFT WELDMENT
LS650352	DIRT DEFLECTOR MAIN BROOM
LS650355	RH FENDER WELDMENT
LS650357	ELEVATOR PIVOT WELDMENT
LS650402	LH M.B. COVER END PLATE
LS650403	RH M.B. COVER END PLATE
LS650414	OFFSET CHAIN PLATE
LS650427	LH WELDMENT FENDER
LS650456	FLIGHT ANGLE
LS650457	M6000 ELEVATOR FRAME WELD.
LS650457YAW	DRAPE BAR WELDMENT
LS650463	G.B. AIR CYL. LOWER MOUNT BRKT.
LS650468	RH GUTTER BROOM BASE WELD.
LS650471	RH G.B. HEAD MOUNT
LS650473	LH G.B. BASE WELDMENT
LS650475	LH G.B. HEAD MOUNT
LS650477	FLIGHT ANGLE WELDMENT
LS650817	HOPPER DOOR M6 AVALANCHE
LS650825	CONVEYOR FLIGHT WELDMENT

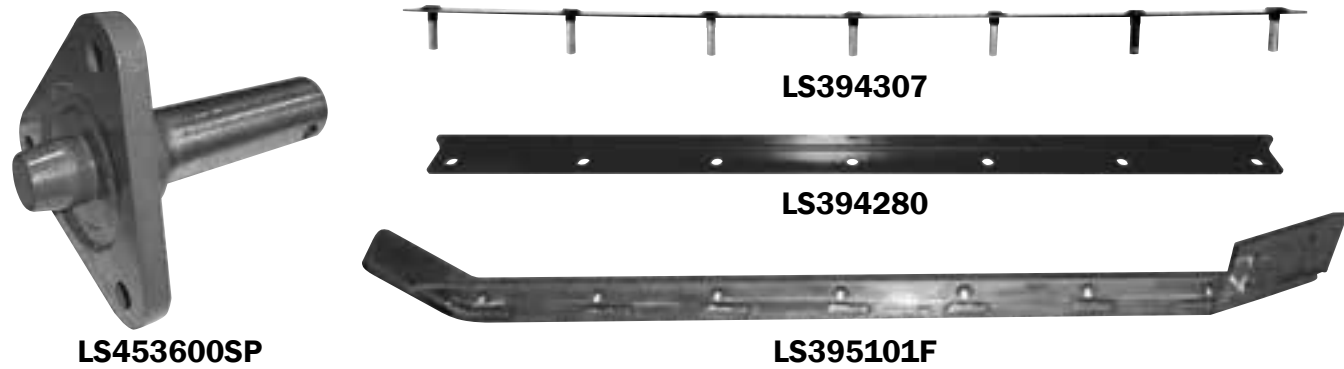
SCHWARZE

LS650828	50" CONVEYOR DRAPE BRACKET WELDMENT
LS650972	HOPPER SEAL BRACKET WELD.
LS651003	RH ROLLER PLATE WELDMENT
LS651004	LH ROLLER PLATE WELDMENT
LS651043	LH DRAG SHOE WELD./SHORT PYRAM
LS651044	RH DRAG SHOE WELD./SHORT PYRAM
LS651049	REAR DRAPE ROD ADJUSTER
LS66665	CURTAIN SET
LS7000ADJKIT	7000 ADJ BLAST ORIFICE
LS7000STD	7000 STD HEAD KIT
LS7000STD1	A7000 STD. HEAD KIT
LS7000STD1ASSY	A7000 STD. HEAD ASSEMBLY
LSA4000	A4000 PICKUP ASSEMBLY
LSA40001	A4000 PICKUP ASSY., NO HOSE
LSM50001	MURPHY/SCHWARZE MINI KIT
LSM5000MAXIKIT	M5000 MAXI KIT
LSM5000MINIKIT	M5000 MINI KIT
LSM6000MAXIKIT1	M6000 ELEVATOR KIT
LSP807076	ROLLER CHAIN
LSPUHS348i	S347i/S348i PICKUP HEAD KIT
LSSA115L	LH ADJUSTMENT BRACKET
LSSA115R	RH ADJUSTMENT BRACKET
LSSA1196L	TAPER-LOCK COUPLING ASSY.
LSSA1621	DRAPE ASSEMBLY
LSSA1622HD	DRAPE PAD
LSSA1623	DRAPE HINGE
LSSA1631	FLIGHT ANGLE
LSSA1711	STRIP BRUSH HOLDER
LSSCHM4000	SCHWARZE MINI KIT
LSSCHM40001	M4000 ELEV. FRAME ASSEMBLY
LSSCHM5ELASSY	M5000 COMPLETE ELEV. ASSY.
LSSK1434	PICKUP HEAD SPRAY WATER KIT

GET MORE INFORMATION: CALL 800.543.6161 • EMAIL SALES@LACAL.COM

ALL PARTS ARE GUARANTEED TO MEET WITH YOUR APPROVAL. Lecal Equipment is in no way implying that any of our products are original equipment parts. All original equipment manufacturer's names, drawings, colors and part numbers are used for identification purposes only.

This Is Just A Sample of Our Most Popular Parts • Additional Parts Available



STEWART AMOS

LS1007	ELEVATOR CHAIN
LS1019	RETRACT SPRING
LS1020	BUSHING
LS1022	BEARING
LS1030	BEARING
LS1039	RUBBER SPROCKET, 10-TOOTH
LS1115	RH CARBIDE DRAG SHOE, DOUBLE ROW
LS1149	SQUARE KEY 5/8" X 5" LG
LS1266	FIBER GUARD
LS41201	LH GUTTER BROOM MOUNT
LS41203	LH GUTTER BROOM PIVOT
LS41205	LH LINKAGE MOUNT
LS41207	LH MOTOR BRACKET
LS41211	PIN
LS41215	SPRING BELL CRANK
LS41221	LINK
LS41230	EXTEND SPRING MOUNT
LS41316	RH LINKAGE MOUNT
LS41401	PIN
LS41405	LH LIFT BELL CRANK
LS41407	RH LIFT BELL CRANK
LS41411	RH MAIN BROOM LIFT ARM
LS41413	MAIN BROOM ROCK SHAFT
LS41415	PRES. CONTROL ROCK SHAFT
LS41421	MAIN BROOM LIFT STRAP
LS41423	LH PRESSURE CONTROL ARM
LS41425	RH PRESSURE CONTROL ARM
LS41431	BACKING PLATE
LS41433	LH DIRT SHOE PLATE
LS41435	RH DIRT SHOE PLATE
LS41437	DRAG SHOE LIFT CHAIN
LS41441	CONVEYOR PIN
LS41503	LH & RH REAR CANOPY FRONT DOOR
LS41612	LH REAR COVER BACK DOOR
LS41710	HOLD DOWN
LS41726	RUBBER FLIGHT
LS41728	FLIGHT ANGLE
LS41728ASSY	FLIGHT ASSEMBLY
LS41738	SHAFT SPACER

STEWART AMOS

LS41740	LOCK PLATE
LS41744	END STRAP
LS41764	CONVEYOR SWIVEL SHAFT
LS41766	CONVEYOR LIFT ARM
LS41768	PIVOT SHAFT MOUNT
LS41770	CONVEYOR LIFT STRAP
LS41771	REST TUBE
LS41772	BOTTOM RUBBER
LS41776	RUBBER SEAL
LS42067	RUBBER DIRT DEFLECTOR
LS42132	HOPPER SAFETY MOUNT
LS42201	SPRAY BAR
LS42901	HOPPER
LS42907	HOPPER DOOR
LS42915	RUBBER FLASHING
LS42917	UPRIGHT FLASHING
LS43103	ELEVATOR FRAME W/LINERS
LS43107	SEPARATOR
LS43109	LOWER SHAFT
LS43113	UPPER SHAFT
LS43115	CONVEYOR SPACER
LS43121	CANOPY
LS43123	CONVEYOR GUIDE
LS43125	SLIDE
LS43127	CONVEYOR ADJUSTMENT ANGLE
LS43129	ELEVATOR CENTER RING BUSHING
LS43131	CANOPY EXTENSION
LS43133	BUSHING
LS43134	CONVEYOR CHAIN GUARD
LS61201	LH GUTTER BROOM MOUNT
LS61203	LH GUTTER BROOM PIVOT
LS61213	PIN WELDMENT
LS61235	LH RETRACT PLATE
LS61301	RH GUTTER BROOM MOUNT
LS61303	RH GUTTER BROOM PIVOT
LS61309	RH RETRACT PLATE
LS62907	ACCESS DOOR
LS80129	MAIN BROOM COUPLER
LS80141	ELEVATOR CHAIN
LSS1185	BUSHING, NOM. 1-1/4" X 1" X 1"

SWEEPRITE

LS5102751	BUSHING
LSG451100	MAIN BROOM ARM PIN
LSG451700SP	FIBER GUARD
LSG453600SP	LH STUB SHAFT
LSG453700SP	RH STUB SHAFT
LSH1511	BACK SKIRT RUBBER
LSH251000	ELEVATOR CHAIN
LSH400100	CENTER DRAG WELDMENT
LSH4517	DRAG SHOE RUBBER INSERT
LSH451800	MAIN BROOM DRAG LINK

TENNANT

LS1009483	BRUSH SKIRT
LS1050788	SEAL, AFTERMARKET, BULB, 90-12.5 FT PC
LS2457	REAR SQUEEGEE BLADE KIT
LS2460	SIDE SQUEEGEE BLADE KIT
LS394279	SHIELD DRAG STRIP
LS394280	RETAINER STRIP
LS394302	FLAT SCREW
LS394307	DRAG SHOE BAR
LS395100F	LH DIRT SHOE, FABRICATED
LS395100FHS	LH DIRT SHOE, HARDSURFACE
LS395101F	RH DIRT SHOE, FABRICATED
LS395101FHS	RH DIRT SHOE, HARDSURFACE
LS395106	RETAINER STRIP
LS395535	SKIRT HINGE PLATE
LS395536	HINGE BAR
LS395761	DUST FRONT SKIRT
LS395938	LH ACCESS PANEL
LS396428	MTG BRACKET SKIRT
LS396497	STRIP, BELT, SPLICE
LS46077	WEAR PLATE
LS46080	BACKING
LS48060	RUBBER LIP STRIP
LS53137	SKIRT
LS760749	FLIGHT RUBBER
LS760785	SEAL, BULB, STR
LS760786	SEAL, BULB, STR

GET MORE INFORMATION: CALL 800.543.6161 • EMAIL SALES@LACAL.COM

ALL PARTS ARE GUARANTEED TO MEET WITH YOUR APPROVAL. Lecal Equipment is in no way implying that any of our products are original equipment parts. All original equipment manufacturer's names, drawings, colors and part numbers are used for identification purposes only.

This Is Just A Sample of Our Most Popular Parts • Additional Parts Available



TYMCO

LS10107	SCREW, 10-24 X 1/2, P.P.H., TAPITTE
LS10159	SLOTTED SCREW, HWH
LS10224	U-CLIP SPEED NUT
LS10291	HEX JAM NUT, BRASS
LS1035937	PIPE, 1.50 X 2.38 PVC
LS10361	BRASS WASHER
LS10405	CLEVIS PIN, .75 X 2.25 OAL
LS10434	RUE RING LOCK COTTER-3/4" Z/P
LS10595	HAND HOSE, 8" X 10 FT. X 5"
LS10597	INSPECTION DOOR SEAL (PER FT.)
LS10837	FAN NOZZLE STRAINER, BRASS
LS10838	BRASS FAN NOZZLE CAP
LS10857	BRASS SPRAY NOZZLE W/TIP
LS10881	BRASS SPRAY TIP
LS11241	210/435 BELT, KUBOTA, SRE
LS11351	CLAMP- 8" QUICK COUPLER HAND HS
LS12589	LOCK VALVE
LS12592	LOCK VALVE COIL, 12VDC
LS12734	FILTER ELEMENT (ONE FILTER)
LS12899	1-1/4-U VEEJET NOZZLE 15-DEG.
LS12901	1-1/4" U VEEJET NOZZLE 50-DEG.
LS12908	3/4" SPIRALJET NOZ. 170-DEG. PVC
LS12941	NYLON COATED LANYARD - 6"
LS12962	SINGLE VALVE ASSEMBLY
LS20502	GROMMET-RUBBER 1.5" ID
LS20520	HD SUCTION HOSE, 10" X 20" X 3"
LS20533	HOPPER WALL LINER, 24" X 40"
LS20809	BRASS TIP
LS20811	FAN NOZZLE W/11002 TIP
LS20859	WHIRLJET NOZZLE, BRASS
LS30826	FITTING, 1/4" NPT WALL MOUNT NOZZLE

TYMCO

LS40119	BUTTON TORX HEAD SCREW
LS500022501297	SEPARATOR/BLOWER ASSY.
LS500022KIT	SEPARATOR KIT
LS500024	HOPPER DOOR
LS500029	CLEVIS MOUNT LINK
LS500031	DOOR/PICKUP HEAD CYLINDER
LS500033	TRANSITION
LS500037	LH UPSTOP
LS500039	SUCTION INLET WELDMENT
LS500045	210 HOPPER SCREEN
LS500050	RH UPSTOP
LS500056	210 DIRT HOPPER
LS500063	DUMP CYLINDER
LS500101	CROSS TO REARSIDE NOZZLE HOSE
LS500116	LIFT CHAIN ASSEMBLY
LS500142	210 DUMP DOOR SEAL
LS500157	600 PICKUP HEAD DRAG LINK
LS500161	210 PICKUP HEAD DRAG LINK
LS500164	STD. HOPPER SCREEN WELDMENT
LS500168	INSPECTION DOOR
LS500172	600 RAKER PLATE WELDMENT
LS500235	600 BLOWER ASSEMBLY
LS500275	LH 350/600/FHD G.B. MTG WELD.
LS500276	RH 350/600/FHD G.B. MTG. WELD.
LS500336	LH WATER HOSE ASSY., 1/4" 25"
LS500338	RH WATER HOSE ASSY., 1/4" 62"
LS500362	INSPECTION DOOR SEAL, 7 FT.
LS500386	WATER TANK STRAP
LS500443	300/350 DUMP DOOR WELDMENT
LS500464	CURTAIN SET W/HARDWARE
LS500506	FASTENER KIT
LS500506BAH	600 BAH CURTAINS FASTENER KIT
LS500508	BEARING SPACER KIT
LS500607	HAND HOSE DOOR WELDMENT

TYMCO

LS500619	CURTAIN SET W/HARDWARE
LS500620	CURTAIN SET W/HARDWARE
LS500677A	210 FENDER, NEW STYLE
LS500677S	210 FENDER, EARLY STYLE
LS500712	BLOWER HOUSING COVER
LS500764	600 BLOWER HUB/BEARING ASSY.
LS500765	PLAIN 600 BLOWER KIT
LS500765A	PLAIN 600 BLOWER KIT ASSY.
LS500780	TRANSITION & SEAL ASSEMBLY
LS500781	SEAL & DUMP DOOR ASSEMBLY
LS500782	SEAL/SEPARATOR
LS500785	SHEAVE/BUSHING-BLOWER DRIVE
LS500787	POLY/WAFER OPTION ASSEMBLY
LS500793	FAN HOUSING COVER
LS500794	TRANSITION W/SEAL, W/O LEAF DOOR
LS500795	TRANSITION W/LEAF DOOR & SEAL
LS500797	SHEAVE ASSEMBLY W/BUSHING
LS500798	SHEAVE & BUSHING-HYDRAULIC PUMP DR.
LS500862	CHAIN, 1/4" X 11 LINKS
LS500895	TRANSITION W/LEAF DOOR, W/O SEAL
LS500896	TRANSITION W/O LEAF DOOR OR SEAL
LS500902	DUMP DOOR SEAL
LS500908	SHEAVE ASSEMBLY W/BUSHING
LS5010013	HINGE PIN COVER
LS5010075	IMPELLER SHAFT
LS5010128	210 LIFT ARM BEARING BLOCK
LS501013179	SUCTION BAFFLE
LS5010150	HINGE PIN
LS501016	DUMP DOOR KIT
LS5010180	210 SEPARATOR BELT-SEAL
LS501020	600 CURTAIN SET W/HARDWARE

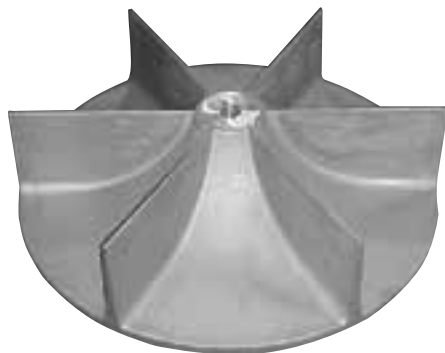
GET MORE INFORMATION: CALL 800.543.6161 • EMAIL SALES@LACAL.COM

ALL PARTS ARE GUARANTEED TO MEET WITH YOUR APPROVAL. Lecal Equipment is in no way implying that any of our products are original equipment parts. All original equipment manufacturer's names, drawings, colors and part numbers are used for identification purposes only.

This Is Just A Sample of Our Most Popular Parts • Additional Parts Available



LS501083736



LS5010933



LS5013201



LS5013167



LS5010936

TYMCO

- LS5010206 210 UNCOATED 5-FIN IMPELLER
- LS5010220 BLAST ORIFICE CURTAIN
- LS5010221 REAR CURTAIN
- LS5010222 SUCTION BAFFLE
- LS5010226 REAR EXTENSION SPRING LINKS
- LS5010228 JOURNAL/BRG. KIT CYLINDER G.B.
- LS5010246 BLOWER COVER SEAL, 100"
- LS5010265 LH SKID SHOE
- LS5010266 RH SKID SHOE
- LS5010584 BLAST ORIFICE CURTAIN
- LS5010588 REAR CURTAIN
- LS5010666 CLAMP
- LS5010727 SEPARATOR INLET SCROLL
- LS5010785 SEPARATOR LINER
- LS5010817 FRONT CURTAIN LIGHT
- LS5010818 FRONT CURTAIN HEAVY
- LS5010819 REAR CURTAIN
- LS5010820 BLAST ORIFICE CURTAIN
- LS5010821 HOSE, 6" X 10 FT. LG., NO CUFFS
- LS5010832 SUCTION BAFFLE
- LS5010833 RUBBER RETAINER, FR. CURTAIN
- LS501083728 HOSE, 14" X 28" LG., NO CUFFS
- LS501083736 HOSE, 14" X 36" LG., NO CUFFS
- LS5010841 CHAIN, 1/4" X 10 LINKS
- LS5010933 600 UNCOATED IMPELLER 6-FIN
- LS5010936 IMPELLER BEARING HOUSING
- LS5010937 BLOWER HOUSING SEAL
- LS5010958 RAKER LINK BUSHING
- LS5011023 VANE
- LS5011024 VANE
- LS5011025 VANE
- LS5011026 VANE
- LS5011143 FRONT LIGHT CURTAIN
- LS5011144 FRONT HEAVY CURTAIN
- LS5011165 210 UNCOATED IMPELLER 6-FIN

TYMCO

- LS5011376 CENTER CURTAIN
- LS501150 SUCTION NOZZLE LINER KIT
- LS5011571 RUBBER COATED SEPARATOR DOOR
- LS5011625 600 COATED IMPELLER 6-FIN
- LS5011626 210 COATED IMPELLER 6 FIN
- LS5011627 210 COATED IMPELLER 5-FIN
- LS501163 GUTTER BROOM CYLINDER
- LS501164 PICKUP HEAD CYLINDER
- LS5011668 CHAIN 24 LINK
- LS5012255 600 SUCTION HEAD TUBE
- LS5012262 SUCTION BAFFLE
- LS5012264 FILLER, SCREEN, LH HOPPER 600
- LS5012361 BRACKET, WELD-ON
- LS5012494 RH 600 HOPPER CYLINDER PIN RETAINER
- LS5012495 LH 600 HOPPER CYLINDER PIN RETAINER
- LS5012584 GUTTER BROOM HUB
- LS5012624 HAND HOSE, 6" I.D. X 12 FT.
- LS5012665 CHAIN, 1/4" X 9 LINKS
- LS5012666 CHAIN, 1/4" X 16 LINKS
- LS5012761 600 SUCTION NOZZLE LINER
- LS5012801 HOSE, 12" X 30" W/3" CUFFS
- LS501281 HOPPER MILLING SCREEN
- LS5012824 CHAIN, 1/4" X 4 LINKS
- LS5012827 REAR SCREEN SUPPORT
- LS5012830 BLOWER HOUSING LINER
- LS501287 210 BLOWER HOUSING (5-FIN)
- LS501288 TRANSITION W/O LEAF DOOR
- LS5012914 HOPPER DRAIN HOSE 4" ID X 36"
- LS501297 210 BLOWER ASSEMBLY
- LS5013001 HOPPER DRAIN SCREEN PLATE
- LS5013012 RH HOPPER DRAIN END PIECE

TYMCO

- LS5013013 LH HOPPER DRAIN END PIECE
- LS5013022 BLOWER LINER, EARLY 210
- LS5013035 BLOWER LINER, LATE 210
- LS5013037 PRESSURE TUBE SEAL, HD (10 FT.)
- LS501304 600 DUMP DOOR DRAIN ASSY.
- LS501306 HOPPER DRAIN HOSE MTG. WELD.
- LS501307 SCREEN WELD.-HOPPER DRAIN
- LS5013084 HAND HOSE TUBE KNOB
- LS5013085 BLOWER HOUSING BRACE
- LS5013091 210 PIN-BALL JOINT BOOM
- LS5013092 G.B. SOCKET-SPACER
- LS5013129 HAND HOSE STRAP, 32"
- LS5013140 CURTAIN RETAINING ANGLE
- LS5013146 HOSE
- LS5013167 210 BOTTOM DISC-CLAMP
- LS5013169 600 CABLE ACCEL
- LS5013179 SUCTION BAFFLE CURTAIN, 5/16"
- LS5013181 MOUNT
- LS5013190 JD EXHAUST CLAMP (HALF SET)
- LS5013193 HOPPER SPRAY NOZZLE, .093
- LS5013197 SEAL KIT
- LS5013198 SEAL KIT
- LS5013201 SHAFT COUPLING
- LS5013231 BRAKE CABLE
- LS5013281 210 CONTROL PANEL, FINISHED
- LS501329 210 MAIN HARNESS, KUBOTA
- LS5013294 FRONT CURTAIN CHANNEL
- LS5013307 MOUNTING UPSTOP ANGLE
- LS5013363 TURN & HAZARD SWITCH
- LS5013368 HORN CONTACT
- LS5013372 HORN RETAINER
- LS5013378 HSP EXTENSION STRUT, 10"
- LS5013379 HSP BLAST ORIFICE CURTAIN, 14
- LS5013382 CURTAIN
- LS501339 HOSE ASSEMBLY 1/4 X 25" WATER

GET MORE INFORMATION: CALL 800.543.6161 • EMAIL SALES@LACAL.COM

ALL PARTS ARE GUARANTEED TO MEET WITH YOUR APPROVAL. Lecal Equipment is in no way implying that any of our products are original equipment parts. All original equipment manufacturer's names, drawings, colors and part numbers are used for identification purposes only.

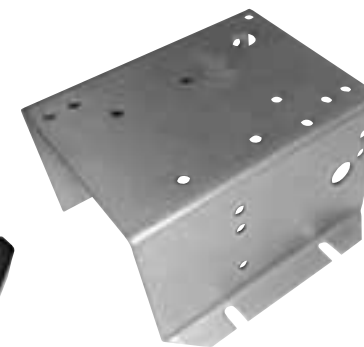
This Is Just A Sample of Our Most Popular Parts • Additional Parts Available



LS5013406



LS5014127



LS5013181



LS5014240

TYMCO

- LS5013406 600 CLEANER-SEPARATOR, S.S.
- LS5013436 600 P.T.O. HOUSING MACHINED
- LS5013440 RADIATOR J.D.4039, NON TURBO
- LS5013441 HOSE-RADIATOR, UPPER JD4039D
- LS5013458 600 WIRE/HOSE REAR HOPPER GUARD
- LS5013461 SEAL-HAND HOSE DOOR FRAME
- LS5013466 HOSE, 8" ID X 10 FT. W/YELLOW HELIX
- LS5013468 TUBE 8" X 52 OAL
- LS5013471 HALF RING, BOOM 8" HAND HOSE
- LS5013491 CHAIN, 1/4" X 18 LINKS
- LS5013521 HOPPER DRAIN BRACKET
- LS5013525 HOPPER DRAIN HOSE 3" X 18"
- LS5013553 TOP G.B. DISC 210 STEEL
- LS5013554 HYD. FILTER MANIFOLD HEAD
- LS501357 210 HYDRAULIC PUMP
- LS5013579 210 THROTTLE CABLE-192"
- LS501358 MOTOR
- LS5013599 210 G.B. LOCKING-BOLT
- LS501360 210 G.B. BOOM WELDMENT
- LS5013625 LOWER RADIATOR HOSE, JD4039D
- LS5013691 BYPASS VALVE CARTRIDGE
- LS5013697 DISC HUB
- LS5013707 GUTTER BROOM SPRING BRACKET
- LS5013710 CABLE
- LS5013715 COIL
- LS5013720 ELECTRIC SOLENOID VALVE COIL
- LS5013723 NUT, E.S.V. FOR WATERMAN CART
- LS5013724 LOCK WASHER - E.S.V
- LS5013728 HYDRAULIC MOTOR SHAFT
- LS5013730 BEARING

SEE OUR BROOM SELECTION BEGINNING ON PAGE 83.

TYMCO

- LS5013745 SKIMMER-LIP/CURTAIN MOUNT
- LS5013767 WATER PUMP FLANGE, CAT 290
- LS5013768 CLUTCH MAGNET, MACHINED C290 6"
- LS5013769 BUSHING SPACER-CAT 290 W/ PUMP
- LS5013792 STUD-WATERMAN 10-24 X 4.5" GR8
- LS5013793 WATERMAN VALVE STUD NUT
- LS5013794 WATERMAN VALVE STUD
- LS5013796 AIR CLEANER CUP ASSEMBLY
- LS5013886 CHAIN, 1/4" X 12 LINKS
- LS5013909 DRIVE SHEAVE
- LS5013918 STRAP-BIDIRECTIONAL VALVE
- LS501393 PICKUP HEAD
- LS5013932 MANIFOLD
- LS5013939 CUP KIT
- LS501394 BLAST ORIFICE
- LS5013940 SLEEVE & SEAL KIT
- LS5013941 VALVE KIT
- LS5013942 SHUT DOWN SOLENOID-ONLY
- LS5013943 RH END PLATE
- LS5013944 SKIMMER HOOD
- LS5013945 CLIP ANGLE
- LS5013946 CURTAIN
- LS5013948 CURTAIN
- LS5013959 FLOATING END PLATE
- LS5013960 LH END PLATE
- LS5013975 OUTER BEARING/BUSHING
- LS5013976 TORQ MOTOR SEAL KIT
- LS5013982 HOSE CLAMP BRACKET
- LS5013986 SEPARATOR DOOR CATCH
- LS501399 600 KIT SEPARATOR LINER ASSY.
- LS5013991 HANGER PLATE
- LS5014056 MTG ANGLE-TANK FRAME

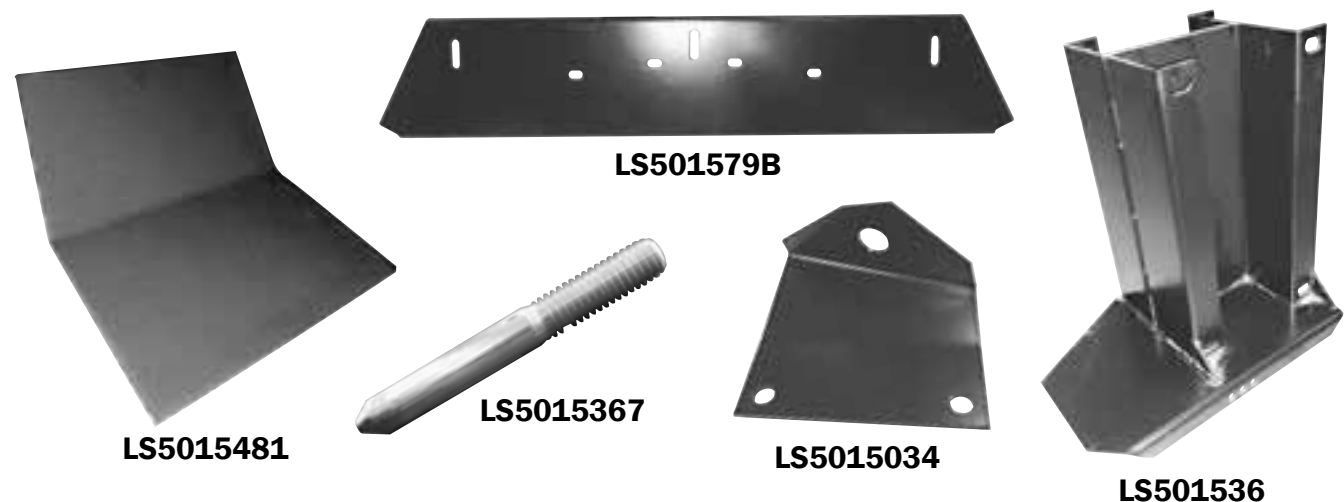
TYMCO

- LS5014088 ROD THROTTLE LINK-JD/KUBOTA
- LS5014089 COUPLING-ACTUATOR JD/KUBOTA
- LS5014092 THROTTLE ACTUATOR, 2" STROKE
- LS5014113 LOCK/CHECK VALVE CARTRIDGE
- LS5014127 TRANSITION FLANGE
- LS5014131 STAND OFF-IH/MACK DS
- LS5014160 HORN BUTTON IH
- LS5014209 THROTTLE CABLE-CARGO/MACK/NAV.
- LS5014239 SEAL, SKID PLATES, 1" X 38'
- LS5014240 INLET SCROLL
- LS5014244 DUMP CYLINDER SEAL KIT
- LS5014268 WORK LIGHT
- LS5014315 ACTUATOR, 4" STROKE
- LS5014316 LATCH (FOR URETHANE TRANS.)
- LS5014387 CURTAIN
- LS5014398 G.B. SPRING MOUNTING BRACKET
- LS5014399 FUEL SENDING UNIT
- LS5014405 210 REAR BUMPER-GMC/FORD
- LS5014410 BRAKE LIGHT - MOUNT BRACKET
- LS5014434 STROBE LIGHT GUARD
- LS5014445 SUCTION TRANSITION WELDMENT
- LS5014451 DIAPHRAGM KIT W/PISTON
- LS5014455 CLIP ANGLE
- LS5014456 FRONT DEFLECTOR CURTAIN
- LS5014457 CURTAIN MOUNTING BRACKET
- LS5014512 MUD FLAP EXTENSION
- LS501460 BUTTON
- LS5014605 PLATE
- LS5014609 BLAST ORIFICE CURTAIN CLAMP
- LS5014610 CURTAIN
- LS5014611 BAH MOTOR HUB
- LS5014616 LH GASKET PLATE, BAH
- LS5014617 RH GASKET PLATE, BAH
- LS5014618 LH ARM GASKET, BAH

GET MORE INFORMATION: CALL 800.543.6161 • EMAIL SALES@LACAL.COM

ALL PARTS ARE GUARANTEED TO MEET WITH YOUR APPROVAL. Lecal Equipment is in no way implying that any of our products are original equipment parts. All original equipment manufacturer's names, drawings, colors and part numbers are used for identification purposes only.

This Is Just A Sample of Our Most Popular Parts • Additional Parts Available



TYMCO

LS5014619	RH ARM GASKET, BAH
LS5014623	MOTOR END WASHER
LS5014631	REAR CURTAIN CLAMP, BAH
LS5014635	CURTAIN
LS5014638	PILLOW BLOCK, PAIR, BAH
LS5014642	BROOM WIPER CURTAIN CLAMP
LS5014646	BRACKET, HYDRAULIC HOSE BOLT ON BAH
LS5014650	SPINDLE
LS5014651	600 CONTROL ARM BUSHING, BAH
LS501467	HOSE 1" X 44" 10916 16RLB
LS501468	HOSE ASSY., 1/4" X 140" HYD
LS5014697	210 G.B. HUB, TAPERED BORE
LS5014701	TAPERED COUPLING SHAFT
LS5014708	120 TERMINAL BLOCK COVER
LS5014713	GUTTER BROOM U-JOINT SHIM
LS5014752	FRONT CURTAIN STIFFENER
LS5014893	12 VDC SOLENOID SWITCH
LS5014940	210 WATER TANK, POLY
LS5014951	EXHAUST ELBOW, J.D. TURBO
LS5014956	HOSE-RADIATOR BOTTOM J.D. TURBO
LS5015001	PICKUP HEAD CURTAIN CLAMP
LS5015001SS	CURTAIN CLAMP, S.S.
LS5015031	BAH BRONZE BEARING HUB
LS5015032	RH DEFLECTOR BRACKET
LS5015033	CENTER DEFLECTOR BRACKET
LS5015034	LH DEFLECTOR BRACKET
LS5015035	RH DEFLECTOR BRACKET
LS5015049	HALF RING
LS5015065	HOPPER DOOR SCREEN KEEPER
LS5015066	AIR CLEANER CUP BAFFLE
LS5015081	HUB
LS5015129	THROTTLE MOUNTING BRACKET

TYMCO

LS501513	600 COATED BLOWER KIT, UNASSEMBLED
LS501513A	600 COATED IMPELLER ASSEMBLY
LS5015147	HOPPER SCREEN BAFFLE CURTAIN
LS5015148	HOPPER BAFFLES SCREEN MOUNT
LS5015150	WEAR STRIP REAR SECTION, HEAD
LS5015151	WEAR PAD, BELOW PRESSURE NOZZLE
LS5015185	UPSTOP FOOT
LS5015188	WEAR WASHER, RH CONTROL ARM
LS5015213	600 STEP-CONV. CAB IH/FL70
LS5015236	TERMINAL BLOCK PLATE
LS5015278	CABLE, 108" L.P.B W/SIL. BOOT
LS5015286	TANK-WATER FRONT LLDPE R.F.U.
LS5015287	TANK-WATER REAR LLDPE R.F.U.
LS5015295	BLAST ORIFICE STIFFENER CLAMP
LS5015295SS	BLAST ORIFICE CLAMP, S.S.
LS5015298	SWITCH-TURN ASSY. 98 CARGO
LS5015301	CROSS MEMBER/RETAINER - LOWER
LS5015308	HOSE 3/4" X 36"
LS5015309	600 ADAPTER PLATE-FILLER
LS5015310	HOSE 1-1/4" X 7" WATER
LS5015312	HOSE 2" X 12"
LS5015314	ELEMENT (FOR 503130 STRAINER)
LS5015315	GASKET (FOR 503130 STRAINER)
LS5015316	BOWL (FOR 503130 STRAINER)
LS5015317	CLEAR VINYL TUBE 1/2" X 20.50"
LS5015318	LIQ. LEV. SW./PLUMBING GUARD
LS5015326	PILLOW BLOCK STRAP
LS5015327	600 PLATE-VENT WATER TANK
LS501534	PRESSURE CHAMBER WELD.
LS5015356	HSP DRAIN COVER, 10"
LS501536	UPSTOP WELDMENT
LS5015365	SUCTION HOSE

TYMCO

LS5015367	ALIGNMENT PIN
LS501537	DRAG LINK WELDMENT
LS5015378	STRAINER ASSEMBLY MOUNT
LS5015401	600 WATER TANK HOLD DOWN
LS5015406	WATER PRESSURE SWITCH W/ WIRES
LS5015431	MOUNT-RETAINER WATER TANK 600
LS5015435	REAR TANK PLATFORM-STD. HEAD 60
LS5015472	SPACER-WATER TANK PLATFORM STD.
LS5015475	HOSE 2" X 5" 10953
LS5015476	HOSE 2" X 14" 10953
LS5015477	HOSE 1-1/4" X 9" 10952
LS5015479	SUCTION INLET LINER
LS5015480	SUCTION TRANSITION LINER (2PC)
LS5015481	210 HOPPER DEFLECTOR LINER
LS5015488	FRONT CURTAIN
LS5015491	SHIFT CABLE L-TRK. W/CUM. ENG.
LS5015509	WEAR STRIP
LS5015511	210 SUCTION NOZZLE HEAD LINER
LS5015513	LINER-SUCTION TRANSITION
LS5015514	210 LOW PROFILE EXHAUST ELBOW
LS5015517	PRESSURE BLEEDER CABLE, 144"
LS5015538	BLOWER SHAFT
LS5015539	MOTOR ONLY- 5GPM, 12DC W/ PUMP
LS5015555	HOSE
LS5015563	BLOWER HOUSING LIP, S.S.
LS5015564	BLAST ORIFICE CURTAIN CLAMP
LS5015565	600 HANDHOSE DOOR LATCH HANDLE
LS5015570	RELIEF VALVE
LS5015571	RELIEF VALVE-55PSI PRE-SET

GET MORE INFORMATION: CALL 800.543.6161 • EMAIL SALES@LACAL.COM

ALL PARTS ARE GUARANTEED TO MEET WITH YOUR APPROVAL. Lecal Equipment is in no way implying that any of our products are original equipment parts. All original equipment manufacturer's names, drawings, colors and part numbers are used for identification purposes only.

This Is Just A Sample of Our Most Popular Parts • Additional Parts Available

CATALOG KEY

Lecal Equipment's Sweeper Parts Item Numbers consist of the prefix "LS" (for "Lecal Sweeper") followed by the part number.

OUR COMMON ABBREVIATIONS:

- M.B. = MAIN BROOM
- C.B. = CENTER BROOM
- S.B. = SIDE BROOM
- G.B. = GUTTER BROOM
- BAH = BROOM ASSISTED HEAD
- HD = HEAVY DUTY
- S.S. = STAINLESS STEEL
- RH = RIGHT HAND
- LH = LEFT HAND
- ASSY = ASSEMBLY
- MNT / MTG = MOUNT / MOUNTING
- GEO = GUTTERBROOM EXTENSION OVERRIDE
- HYD = HYDRAULIC
- TH = THICK
- BRKT = BRACKET
- KT = KIT
- W/ (AND W/O) = WITH (AND WITHOUT)
- CYL = CYLINDER
- ABO = ADJUSTABLE BLAST ORIFICE
- ELEV = ELEVATOR
- CONV = CONVEYOR
- WELD = WELDMENT
- HDW = HARDWARE
- STD = STANDARD
- P.U. / P.U.H. = PICKUP / PICKUP HEAD
- UHMW = ULTRA-HIGH MOLECULAR WEIGHT
- SYS = SYSTEM
- PWR / MAN = POWER / MANUAL
- S/N = SERIAL NUMBER

TYMCO

LS5015585	600 D.D./HYDRAULIC PUMP SWITCH PLATE
LS5015595	RELIEF VALVE, 30PSI PRE-SET
LS5015599	S.S. SUPPORT RING
LS5015613	MOUNT PLATE-STROBE LAMP HOPPER
LS5015614	600 CLEARANCE LAMP HOLDER
LS5015621	SCREEN TRACK ANGLE
LS5015622	LATCH MOUNT-SCREEN SIDE
LS5015628	600 SWITCH GUARD, S.S.
LS5015712	TOP PIVOT BRACKET
LS5015713	PIVOT BROOM BRACKET
LS5015714	600 HOPPER HOSE PROTECTOR
LS501579	CARBIDE SKID SHOE W/PLATE
LS501579B	MOUNTING PLATE
LS5015817	MODEL PLATE
LS5015904	THROTTLE CABLE BRACKET
LS5015924	ACTUATOR BRACKET

GET MORE INFORMATION: CALL 800.543.6161 • EMAIL SALES@LACAL.COM

ALL PARTS ARE GUARANTEED TO MEET WITH YOUR APPROVAL. Lecal Equipment is in no way implying that any of our products are original equipment parts. All original equipment manufacturer's names, drawings, colors and part numbers are used for identification purposes only.



LS501628



LS5016134



LS501653

TYMCO

LS5015933	RETAINER-CYL. DUMP DOOR '95'
LS5015935	DC SHUTTER SPINDLE END
LS5015939	DST-4 BLOWER HOUSING LINER
LS5015940	210 DC BLEEDER SHUTTER PLATE
LS5015943	210 DC AIR BLEEDER SEAL
LS5015944	ACTUATOR ARM
LS5015960	REAR BKT. -SPRING BOOM HANDHOSE
LS501597	210 DUMP PIN WELDMENT, Z.P.
LS501604	CHAIN HOOK-BUMPER MOUNT MAGNET
LS5016063	TOP G.B. DISC, SPUN 15-DEG.
LS5016076	600 WASHDOWN SWITCH PLATE
LS5016102	DELUGE HOLE COVER SEAL
LS5016105	SEAL-H. HOSE, 6" & 8" INSP. DOOR
LS5016106	HAND HOSE SEAL
LS5016134	CABLE, 183" (1995.5 ISUZU)
LS5016175	DELUGE HOLE COVER PLATE
LS5016195	DUMP DOOR SAFETY STOP
LS5016210	CAOBOVER CABLE CLAMP
LS501624	QD NOZZLE ADAPTER
LS501625	ADPT. ASSEMBLY MALE END-8" HAND HOSE
LS501626	ADPT. ASSEMBLY FEMALE END-8" HAND HOSE
LS501627	REAR MOUNTING BRACKET
LS501628	FRONT TILT BRACKET
LS501630	RH G.B. ARM WELDMENT
LS5016335	HOPPER SPRAY NOZZLE, .063"
LS501634	LH G.B. ARM WELDMENT
LS5016372	SPRING HANGER
LS501640	FUEL PUMP
LS5016424	WATER HOSE, 1" - 3"
LS501650	HOPPER DRAIN OUTLET WELD.

TYMCO

LS5016507	SPACER
LS501651	HOPPER DRAIN WELD. SCREEN
LS5016525	8" CATCH BASIN NOTCHED ADAPTER
LS501653	GUTTER BROOM MOTOR MOUNT
LS5016543	LINER-SUCTION INLET
LS501664	210 HOPPER DRAIN ASSY.
LS5016648	SHIM-SLIDE SCREEN LATCH MOUNT
LS5016659	ACCESS COVER - BAH
LS5016680	TOOL BOX DOORS HINGE, S.S.
LS5016681	TOOL BOX LARGE DOOR-96
LS5016683	TOOL BOX DOORS SEAL KIT
LS501670	6 STATION 4 VALVE ASSEMBLY
LS5016703	ACTUATOR SHORT ARM-HEAD
LS5016714	ACCESS/HOPPER DRAIN SEAL
LS5016731	AIR CLEANER BASE, ISUZU
LS5016788	FITTING, BAH RETROFIT
LS5016796	CHAIN, 1/4" X 2 LINKS
LS5016857	LOWER RADIATOR HOSE
LS5016861	AIR INTAKE TUBE
LS501687	CYLINDER MTG. PLATE
LS5016896	TOP ENG. COWLING-JD POWER TECH
LS501690	BUMPER WELDMENT
LS5016916	AIR CLEANER MOUNT
LS5016922	EXTENSION EXHAUST MANIFOLD
LS5016923	210 PICKUP HEAD SPRING
LS5016931	BEARING PLATE
LS5016933	BEARING GUARD
LS5016934	IMPELLER SHAFT
LS5016940	SMALL DOOR, TOOL BOX
LS5016944	CABLE, 122" W/SIL. BOOT
LS5016945	COUPLING-ACTUATOR
LS5016986	REAR ACCESS DOOR-DROP DOWN

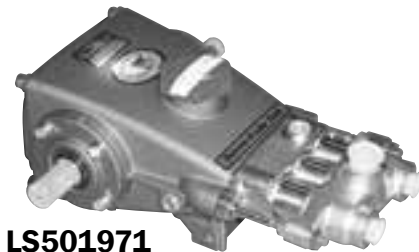
This Is Just A Sample of Our Most Popular Parts • Additional Parts Available



LS5017256



LS501711



LS501971



LS5017332

TYMCO

- LS5016987 REAR RUBBER BUMPER MOUNT
- LS5016989 CABLE MOUNT -PRESSURE LID HSP
- LS5017006 VANE
- LS5017007 VANE
- LS5017008 VANE
- LS5017037 STEP-FUEL TANK MICHIGAN FLEET
- LS5017097 MOUNT CHANNEL, 4 NOZZLE
- LS501711 WATER FILL HOSE ASSEMBLY
- LS5017119 BRACE-MUFFLER END KUB. V2003T
- LS5017144 EXHAUST PIPE
- LS5017150 EXHAUST PIPE SPLICE
- LS5017151 FUEL FILTER BRACKET
- LS5017152 TRANS FILTER MANIFOLD BRKT.
- LS5017153 LENS
- LS5017155 X-MEMBER SUPPORT BRACKET
- LS5017156 X-MEMBER SUPPORT BRACKET
- LS5017159 EXHAUST PIPE EXTENSION
- LS5017175 210 LEAF PRESS BLDR. WEAR PAD
- LS5017207 600 SPLIT SCREEN TAB
- LS5017208 600 SPLIT SCREEN LINK
- LS501721 TYMCO PICKUP HEAD KIT
- LS5017213 PICKUP HEAD WATER SYSTEM KIT
- LS5017214 600 PICKUP HEAD KIT, W/O HOSES
- LS5017214ASSY 600 PICKUP HEAD ASSEMBLY W/O HOSES
- LS501721ASSY 600 PICKUP HEAD KIT ASSY.
- LS501721ASSY1 600 P.U.H. ASSY. LESS UPSTOPS
- LS5017220 HOSE
- LS5017256 210/435 COATED SRE IMPELLER
- LS5017278 SPACER-G.B. 600 STYLE ON 210
- LS5017279 BKT. -SPRING 600 STYLE G.B. 210
- LS5017328 MOUNT BI DIR VALVE 210
- LS5017329 SKIMMER PLATE

TYMCO

- LS5017330 RUBBER COATED SKIMMER PLATE
- LS5017332 210 SEPARATOR LINER
- LS5017333 210 SEPARATOR FILLER TAB
- LS5017334 UPPER FLAP SEAL CURTAIN
- LS5017335 LOWER FLAP SEAL CURTAIN
- LS5017353 8" I.D. X 36" O.A.L. HOSE, DST
- LS5017363 EXHAUST PIPE
- LS5017365 HANGER
- LS5017366 HANGER
- LS5017380 HOSE 1-1/2" X 46" TRANSFER
- LS5017381 LOWER CURTAIN CLAMP
- LS5017382 DUAL FRONT CURTAIN MOUNT
- LS5017398 FLAT CURTAIN CLAMP
- LS5017399 S.S. BLAST ORIFICE, BAH
- LS5017410 HOSE, 11.75" X 23" X 2"
- LS5017450 HYDRAULIC PUMP GUARD, KUBOTA
- LS5017453 MUFFLER MOUNT, JD4045NA
- LS5017474 HYDRAULIC PUMP TOP GUARD, KUBOTA
- LS5017481 S.S. SCREEN, VACUUM MANIFOLD
- LS5017485 NIPPLE 2" OD. -DST 600
- LS5017486 NIPPLE PIECE 1.5" OD. -DST 600
- LS5017489 SHUTTER PLATE
- LS5017490 SKIMMER PLATE
- LS5017498 SKID PLATE SEAL, BAH-LH
- LS5017499 350/600 P.U.H. INLET SEAL
- LS5017554 HOPPER PIVOT BEARING
- LS5017555 HOPPER HINGE SHAFT
- LS5017562 REAR DOOR
- LS5017608 DEFLECTOR SHIELD, S.S.
- LS5017609 DEFLECTOR SPACER
- LS5017610 LH SCREEN HANGER BRACKET
- LS5017611 SCREEN ROLLER BRACKET STRAP
- LS5017612 SCREEN ROLLER
- LS5017618 PIVOT SCREEN HANDLE BRACKET

TYMCO

- LS5017623 REAR STORAGE DOOR
- LS5017623SS REAR STORAGE DOOR, S.S.
- LS5017634 SUCTION ADAPTER MOUNT. BRKT.
- LS5017636 HOPPER DRAIN SCREEN
- LS5017638 435 FUEL TANK GUARD
- LS501764 YOKE ASSEMBLY IH DS
- LS5017651 VACUATOR MANIFOLD SEAL
- LS501765R S.S. WATER TANK
- LS501769 BYPASS VALVE CART. & COIL ASSY.
- LS501771 600 PTO HOUSING/BEARING ASSY.
- LS5017716 RH DST SKID PLATE SEAL, BAH
- LS501772 OIL COOLER/GUARD ASSY. JD 3/4"
- LS5017729 DST-6 BOLT SEAL, 1.5 OD X .375 ID
- LS501773 OIL COOLER
- LS5017758 RH SCREEN SIDBOARD
- LS5017759 LH SCREEN SIDBOARD
- LS5017761 RH SCREEN HANGER BRACKET
- LS5017763 SCREEN SHAFT SEAL PLATE
- LS5017764 SCREEN SHAFT SEAL
- LS5017786 RUBBER LINED DOOR, S.S. NOTCHED
- LS5017787 RUBBER LINED DUST SEPARATOR, S.S.
- LS5017789 CLAMP BRACKET -HI VOLUME DELUGE 60
- LS5017811 LH HSP SKID PLATE SEAL
- LS5017812 RH HSP SKID PLATE SEAL
- LS5017815 FORGED & MACHINED BLOWER LIP
- LS5017817 DUAL FRONT CURTAIN MOUNT
- LS5017818 FLAT CURTAIN CLAMP
- LS5017833 DST VACUATION HOSE-FLEX 64"
- LS5017838 HINGE
- LS5017839 MID. SLOT SEPARATOR CURTAIN
- LS501784 HOSE WASH DOWN ASSEMBLY
- LS5017844 BOLT-IN HOUSING BULKHEAD

GET MORE INFORMATION: CALL 800.543.6161 • EMAIL SALES@LACAL.COM

ALL PARTS ARE GUARANTEED TO MEET WITH YOUR APPROVAL. Local Equipment is in no way implying that any of our products are original equipment parts. All original equipment manufacturer's names, drawings, colors and part numbers are used for identification purposes only.

This Is Just A Sample of Our Most Popular Parts • Additional Parts Available

TYMCO

- LS501785 TOOL
- LS5017874 INLET CONE
- LS501788 WIRING HARNESS
- LS501792 SOLENOID TO P.U.H. TEE HOSE
- LS5017938 BRACE-BLOWER HOUSING
- LS5017973 COVER PLATE - HOPPER DRAIN
- LS5017976 435 TOOLBOX DOOR SEAL
- LS5017978 TOOLBOX SEAL
- LS5017980 CENTERING HOPPER/FRAME SHIM
- LS5018021 HOPPER DRAIN HOSE, 4" ID X 20"
- LS5018025 COVER PLATE SEAL
- LS501803 DUMP DOOR CYLINDER
- LS5018065 CLAMP-DRIP EDGE EXTENSION
- LS5018066 DRIP EDGE EXTENSION
- LS5018086 ALIGNMENT STRIP
- LS5018135 600 BBH CUTTING TEMPLATE
- LS5018143 EXHAUST PIPE
- LS5018181 4" OD. SLEEVE-HOPPER DRAIN HOSE
- LS5018232 EXH. PIPE 2" O.D. X 90-DEG. X 12"
- LS5018258 STIRRUP
- LS5018261 435 TOOLBOX REAR DOOR
- LS5018268 600 STEP MOUNT-IH 4300
- LS5018269 GUARD AIRLINE-IH 4300 WET TANK
- LS5018275 STRAP
- LS5018291 RH STD SKID PLATE HEAD SEAL
- LS5018292 LH STD SKID PLATE HEAD SEAL
- LS5018305 BOLT-ON DRAG LINK BRACKET
- LS5018320 PLATE
- LS501834 WATER PUMP MOUNT BASE
- LS5018340 DST-4 S.S. DIVERTER VANE
- LS5018352 DST-4 SHORT TRANSFER TUBE, 26.5"
- LS5018379 HOSE, 1.50" X 24"
- LS501838 RELIEF VALVE-CAT 290
- LS5018386 PRESSURE TUBE INLET SEAL
- LS5018387 SEPARATOR DUST SHIELD
- LS5018395 BLAST ORIFICE FLANGE SEAL
- LS5018397 TRANSITION SEAL
- LS5018422 BKT. RESTRAINT CHAIN MAGNET IH
- LS5018424 EXTRUDED BUMPER
- LS5018455 BLAST ORIFICE CHANNEL
- LS5018456 CURTAIN MOUNTING ANGLE
- LS5018501 G.B. BUSHING SPACER, 1/2"-5/8"
- LS5018502 BAH TORQ MOTOR SHIM
- LS5018507 DRIVE SHEAVE-WATER PUMP Z/P
- LS5018510 BKT. -DRAG LINK ISUZU '05'
- LS5018580 PLASTIC VALVE BANK COVER LATCH
- LS5018585 WEAR PAD
- LS5018624 500X SUCTION TUBE HEAD-BAH/STD
- LS5018628 FILTER
- LS5018645 VALVE BANK DOOR STRIKER PLATE, S.S.
- LS5018654 LH MOUNTING PAD

TYMCO

- LS5018655 RH MOUNTING PAD
- LS5018662 EXTRA HEAVY FRONT CURTAIN
- LS5018702 500X SKIMMER HOOD CURTAIN
- LS5018703 BLAST ORIFICE BACKUP PLATE
- LS5018880 500X SCREEN RETAINER
- LS5018902 500X DUMP DOOR TOP/BOTTOM SEAL
- LS5018903 LH/RH 500X DUMP DOOR SEAL
- LS5018952 SEPARATOR LINER
- LS5018954 500X INLET SCROLL
- LS5018961 UPPER SCROLL, RUBBER COATED
- LS5018962 500X SKIMMER HOOD LOWER SCROLL
- LS5018963 500X CURTAIN WIPE SEP. CLAMP
- LS5018965 DOOR STOP
- LS5018973 500X DEFLECTOR SHIELD, S.S.
- LS501899 SHUT DOWN KIT, KUBOTA
- LS5019003 500X OUTRIGGER BASE END PIN
- LS5019004 500X OUTRIGGER ROD END PIN
- LS5019028 500X MUD FLAP HANGER
- LS5019053 500X BLOWER NUT LOCK PLATE
- LS5019058 PILOT PLATE
- LS5019060 LIFTING LUG
- LS5019061 MOTOR PLATE
- LS5019062 RH SIDE PLATE
- LS5019063 LH SIDE PLATE
- LS5019064 500X SUCTION SEAL
- LS5019065 RETAINER PLATE-BLOWER INLET SEAL
- LS501911 210/FHD SEPARATOR INSPECTION DOOR WELDMENT
- LS501912 INSPECTION DOOR ASSEMBLY
- LS5019214 MOUNT ANGLE SUCTION TRANSITION
- LS5019222 MNT. BUMPER MAGNET ISUZU 06'
- LS5019223 BKT-BUMPER MOUNT MAGNET ISUZU
- LS5019229 SUCTION CHAMBER OUTERWALL LINER
- LS5019230 EXT. LINER SIDE WALL-SUCTION SIDE
- LS5019255 LINER SUCTION-HOPPER, 3/8"
- LS5019256 LINER SUCTION SIDE-HOPPER

TYMCO

- LS5019308 600 BKT. -HAND HOSE EXT.
- LS5019311 EXT. BKT. TAILLIGHT-HAND HOSE FC
- LS5019315 STIFFENER
- LS5019348 FRONT CURTAIN BRACKET
- LS5019375 600/DST-6 SPRING BKT. SHORT
- LS5019410 BRACKET
- LS5019485 GUTTER BROOM DISC
- LS5019489 BLOWER HOUSING PORT COVER
- LS5019501 SEQUENCE VALVE MOUNT
- LS5019503 ISO. TAB-THROTTLE ACT. KUBOTA T2
- LS5019504 ARM EXT. -THROTTLE ACT. KUB. T2
- LS5019505 SPROCKET-8MM SYNCHRONOUS-DST-4
- LS5019538 TILT CYLINDER STUD BOLT
- LS5019546 BRACKET, BULKHEAD FTG 1/4" JIC
- LS5019553 RH HOPPER DOOR SKIN
- LS5019554 LH HOPPER DOOR SKIN
- LS5019571 HOPPER SCREEN SUPPORT CHANNEL
- LS5019572 HOPPER SCREEN HANGER
- LS5019573 HOPPER SCREEN REAR MOUNT
- LS5019574 LH HOPPER SIDE BOARD SCREEN
- LS5019575 HOPPER MID. HANGER SCREEN
- LS5019576 RH HOPPER SIDE BOARD SCREEN
- LS5019577 HOPPER STOP ANG. SCREEN
- LS5019581 HOPPER CENTER STOP SCREEN
- LS5019582 HOPPER FRONT SCROLL INLET
- LS5019583 HOPPER STOP/CATCH-INLET LINER
- LS5019584 REAR RETAINER-INLET LINER
- LS5019627 CYL. MOUNT - CURTAIN LIFTER
- LS5019628 ROLLER CURTAIN LIFTER
- LS5019632 ROLLER CURTAIN
- LS5019635 LINER INNER WALL-HOP. SUCTION UHMW
- LS5019636 LINER REAR WALL-HOP. SUCTION UHMW
- LS5019638 FILLER
- LS5019670 CURTAIN LIFT CYLINDER SPACER
- LS501971 WATER PUMP ASSEMBLY W/OIL-CAT 290
- LS5019718 SPACER
- LS5019719 TONE RING
- LS5019725 DRAG LINK MNT. PLATE-PUH ITEC
- LS5019726 500X RH DRAG LINK MNT. -ITEC T3
- LS5019727 500X LH DRAG LINK MNT-ITEC T3
- LS5019733 DIFFUSER HANGER
- LS5019735 DRAG LINK BRKT., 4.25" OFFSET
- LS5019738 G.B. EXT. PLATE-ITEC T3
- LS501980 C290 WATER PUMP/CLUTCH ASSY.
- LS5019838 WIRING COVER
- LS5019852 210/435 UPSTOP LEG-T3 ISUZU
- LS5019853 210/435 UPSTOP FOOT T3 ISUZU
- LS5019854 CENTER DIRT DEFLECTOR MNT
- LS5019895 435 FENDER
- LS5019911 LH OUTSIDE WALL REAR TOOL BOX

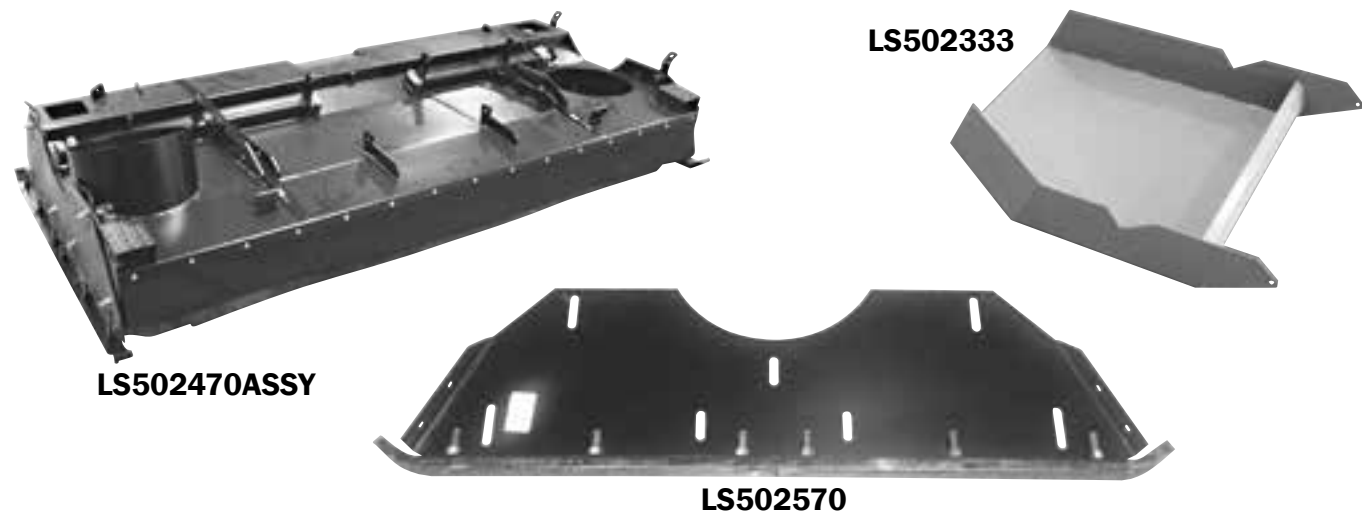
WAIT... I DON'T SEE THE PART I NEED!

Call **800.543.6161** to access our entire inventory of parts. This catalog is only a portion of the quality replacement parts that Local Equipment offers!

GET MORE INFORMATION: CALL 800.543.6161 • EMAIL SALES@LACAL.COM

ALL PARTS ARE GUARANTEED TO MEET WITH YOUR APPROVAL. Local Equipment is in no way implying that any of our products are original equipment parts. All original equipment manufacturer's names, drawings, colors and part numbers are used for identification purposes only.

This Is Just A Sample of Our Most Popular Parts • Additional Parts Available



TYMCO

LS5019918	RH OUTSIDE WALL REAR TOOL BOX
LS5019928	GB EXTENSION PLATE
LS5019947	500X MANIFOLD COVER, BLK ABS
LS5019975	KEY STOCK, 3/8" X 2.75"
LS5019977	CURTAIN LIFT SPACER
LS5020019	ACTUATOR ARM EXT.
LS5020047	500X SUCTION NOZZLE LINER
LS5020049	500X SUCTION TRANS. LINER
LS502008	HSP CURTAIN SET W/HARDWARE
LS5020133	SUCTION TUBE LINER
LS5020145	LINER-BOLT ON SUCTION INLET UHMW
LS5020146	LINER-BOLT ON SUCTION INLET UHMW
LS5020173	NOZZLE BRACKET
LS5020193	LINER SUCTION SIDE
LS5020194	SUCTION LINER
LS502025	600 HOPPER SUCTION SIDE KIT
LS5020335	ACTUATOR MOUNT BRACKET
LS5020358	SWITCH
LS5020359	SWITCH
LS5020386	600 LED MOUNT BRACKET
LS5020397	BASE MOUNT
LS5020398	CABLE MOUNT BASE
LS5020407	HINGE, S.S.
LS502041	SEPARATOR DOOR/INLET KIT
LS5020418	SUCTION BAFFLE CURTAIN
LS5020422	DEF. TANK COVER
LS502043	SEP. DOOR STRIKE, BOLT-ON STYLE
LS5020441	HCDS HANGER PLATE
LS5020442	HCDS SKIMMER PLATE
LS5020457	LEAF BLEEDER CABLE
LS5020499	LATCH
LS5020530	ACTUATOR

TYMCO

LS5020552	LEAF BLEEDER CABLE
LS5020577	DST ROLLER FRONT CURTAIN CLAMP
LS5020617	LPB CABLE BASE MOUNT
LS5020618	BASE MOUNT
LS5020658	OUTSIDE WALL SUCTION LINER
LS5020689	BUMPER PANEL M2
LS502096	600 ACTUATOR/LEAF BLEEDER ASSEMBLY
LS5021105	CABLE BASE MOUNT
LS5021109	BRACKET
LS502113	P. O. CHECK VALVE ASSEMBLY
LS502116	TRANSITION W/SEAL & FLANGE
LS5021268	ROLLER
LS5021367	SCREEN
LS5021368	SCREEN ASSY. SIDE PANEL
LS5021369	HANGER BRACKET
LS5021371	HANGER
LS5021377	ROLLER BAR
LS5021378	THREADED ROD
LS5021584	CURTAIN LIFT CYLINDER MOUNT
LS502172	HORN BUTTON WIRES-89 IH DS
LS502174	HSP PRESSURE TRANS. SEAL ASSY.
LS502177	DUMP DOOR CYLINDER
LS502180	HSP INLET SCROLL/DOOR ASSY.
LS502206	600 G.B. EXTENSION, 4" REACH
LS502231	POLY TRANS. W/O SEAL & FLANGE
LS502271	PIVOT ASSEMBLY
LS50227	PIVOT PIN ASSEMBLY
LS502299	HOSE ASSEMBLY-HYDRAULIC 1/4" X 214.876" OA
LS502314	HYDRAULIC HAND HOSE HANDLE ASSEMBLY 8"
LS502316	210 SIDE INSPECTION DOOR KIT
LS502333	SKIMMER SCOOP

TYMCO

LS502346	210 HOPPER ASSEMBLY, CABOVER
LS502356	GUTTER BROOM MOUNT
LS502367	HOSE ASSEMBLY
LS502377	REAR FUEL TANK ASSY.-GMC 1990
LS502384	REAR BUMPER ASSEMBLY-GMC/FORD 1990
LS502402	210 PICKUP HEAD LIFT CHAIN KIT
LS502407	FULL LOAD LIMIT SWITCH INST.
LS502412	WATER PUMP, 12VDC
LS502417	ELECTRIC WATER PUMP KIT
LS502421	WATER SUCTION FILTER ASSY.
LS502425	FRONT DEFLECTOR ASSEMBLY
LS502434	LH G.B. LOCK VALVE WIRE
LS502470	600 BAH KIT
LS502470ASSY	600 BAH ASSEMBLY
LS502556	12 VDC ELECTRIC WATER PUMP
LS502565	BRM-BAH (BLK) W/HUB 5015031
LS502566	BRM-BAH (RED) W/HUB 5015031
LS502567	HYDRAULIC MOTOR, BAH
LS502569	DUO CARBIDE SKID W/PLATE
LS502569B	MOUNTING PLATE
LS502570	DR BAH SKID SHOE & PLATE ASSY.
LS502573	HYDRAULIC HOSE ASSEMBLY
LS502574	HYDRAULIC HOSE ASSEMBLY
LS502575	HOSE ASSEMBLY
LS502579	UPSTOP
LS502580	MOTOR MOUNT WELDMENT
LS502581	RH BAH CONTROL ARM WELD.
LS502583	RH PIVOT SHAFT WELDMENT
LS502584	LH PIVOT SHAFT WELDMENT
LS502589	HOSE ASSEMBLY
LS502593	TRANSITION W/LEAF BLEEDER
LS502599	BRACKET
LS502601	HYDRAULIC HOSE ASSEMBLY
LS502602	HYDRAULIC HOSE ASSEMBLY

GET MORE INFORMATION: CALL 800.543.6161 • EMAIL SALES@LACAL.COM

ALL PARTS ARE GUARANTEED TO MEET WITH YOUR APPROVAL. Lecal Equipment is in no way implying that any of our products are original equipment parts. All original equipment manufacturer's names, drawings, colors and part numbers are used for identification purposes only.

This Is Just A Sample of Our Most Popular Parts • Additional Parts Available



TYMCO

LS502603	HOSE ASSEMBLY
LS502605	HOSE
LS502606	HOSE ASSEMBLY
LS502607	HOSE ASSEMBLY
LS502608	HOSE ASSEMBLY
LS502609	600 BAH CURTAIN SET W/HDW
LS502619	HYDRAULIC G.B. MOTOR
LS502639	BAH PICKUP HEAD BROOM REPLACEMENT KIT
LS502665	WATER HOSE ASSY., 1/4" X 36"
LS502690	8" TUBE ASSY. - HAND HOSE
LS502691	6" TUBE ASSY.-HAND HOSE 210
LS502693	8" QD. TUBE ASSEMBLY, STD. HAND HOSE
LS502703	600 HYDRAULIC RES. ASSEMBLY BAH 25 GAL.
LS502752	210 BACKPACK BLOWER BOX ASSEMBLY
LS502810	PTO HOUSING/BEARING ASSY. -BAH GAS
LS502851	SHEAVE ASSEMBLY W/BSH (QUIET PKG)
LS502852	MUFFLER-JD4039T & 4045T
LS502855	AIR GAP BOX WELD.-WATER ALL
LS502883	BLAST ORFICE WELDMENT
LS502913	210 HOPPER ASSEMBLY
LS502915	CENTER DEBRIS DEFLECTOR ASSY.
LS502938	DELUGE FTG. ASSEMBLY-BULKHEAD 2" NPT
LS502973	WATER PUMP ONLY (CAT 290)
LS502984	PRESSURE CHAMBER WEAR KIT
LS502989	PUMP COVER WELD.-SND. PKG. JD
LS503001	600 UPSTOP KIT
LS503003	SCREEN BAFFLE, SET OF 3
LS503006	HYDRAULIC PUMP

TYMCO

LS503007	PUMP-HYDRAULIC BELT DRIVEN V10F 6GPM
LS503008	GEAR DRIVEN PUMP
LS503009	BELT DRIVEN PUMP
LS503013	RELIEF VALVE
LS503014	CHECK VALVE
LS503015	FLOW DIVIDER CARTRIDGE ONLY
LS503016	BYPASS VALVE, VICKERS W/COIL
LS503021	600 UPSTOP WELDMENT
LS503027	BYPASS VALVE-VICKERS W/O COIL
LS503056	HOSE ASSEMBLY, 1/2" X 70" HYDRAULIC BLUE
LS503084	BLACK BOX-ASSEMBLY
LS503088	HIGH OUTPUT WATER SYSTEM LN/F
LS503098	LOCK VALVE, BAH BROOM
LS503099	CARTRIDGE-LOCK VLV. BAH
LS503102	LEAF PRESSURE BLEEDER ACTUATOR
LS503103	600 LPB SELECT GUIDE ASSEMBLY
LS503104	LPB ROD WELDMENT
LS503111	SUPPORT CHANNEL ASSEMBLY-HAND HOSE
LS503115	HOSE
LS503116	HOSE ASSEMBLY-HYDRAULIC 1/4" X 204. 876 OA
LS503117	HOSE ASSEMBLY 1/4" X 160.00" HYDRAULIC, 162.126 GAL.
LS503118	HOSE
LS503122	600 FRONT HEADER WELD.
LS503128	SEPARATOR MOUNT WELD. PIN
LS503130	STRAINER ASSY., WATER 1" FPT
LS503138	INSP/HAND HOSE DOOR WELD.
LS503140	SUCTION CHAMBER WELD.
LS503141	HSP TRANSITION
LS503142	HSP SUCTION TUBE WELD.-HOP.
LS503146	1/4" HYDRAULIC HOSE

TYMCO

LS503154	600 FILLER ASSY.-DELUGE OPTION
LS503159	FRONT CROSS MEMBER WELD.
LS503176	HANDLE WELDMENT NUT
LS503178	WATER TANK FILL NECK WELD.
LS503192	10" DRAG WELDMENT
LS503203	STUB SHAFT-KUBOTA V1902/V1903
LS503213	LATERAL AIRFLOW NOZZLE ASSY.
LS503226	DUCT/DIVERTER WELD.-L.A.N.
LS503228	KNOB ASSY.-GATE ADJUSTER L.A.N.
LS503231	HSP PRESSURE LID/SEAL ASSY.
LS503232	HSP PICKUP HEAD ASSEMBLY
LS503233	REMOVEABLE PRESSURE LID ASSY.
LS503234	HSP CURTAIN SET W/HDW.
LS503242	600 WATER FILTER ASSY., STD.
LS503243	600 WATER FILLER ASSY.-DELUGE
LS503256	600 LPB ROD ASSEMBLY, IH HYDRAULIC BRAKES
LS503268	PRESSURE CHAMBER WEAR KIT
LS503272	SUCTION NOZZLE LINER KIT
LS503275	LOW MOUNT MUFFLER PARTS, KUBOTA
LS503282	RH HSP POLY SKID ASSEMBLY
LS503283	LH HSP POLY SKID ASSEMBLY
LS503303	VALVE
LS503306	TUBE ASSEMBLY KIT
LS503311	MANIFOLD ASSEMBLY
LS503313	CYLINDER
LS503314	6-STATION WATER VALVE
LS503329	HDW. KIT FOR MOUNTING G.B.
LS503332	INSPECTOR DOOR FRAME WELD.
LS503340	WIRE HARNESS-SIDE CLEARANCE LT
LS503356	600 DUSTLESS P.U.H. CURTAIN SET
LS503357	210DC/DST-4 BOXED CURTAIN SET

GET MORE INFORMATION: CALL 800.543.6161 • EMAIL SALES@LACAL.COM

ALL PARTS ARE GUARANTEED TO MEET WITH YOUR APPROVAL. Lecal Equipment is in no way implying that any of our products are original equipment parts. All original equipment manufacturer's names, drawings, colors and part numbers are used for identification purposes only.

This Is Just A Sample of Our Most Popular Parts • Additional Parts Available



TYMCO

LS503358	BLOWER ASSEMBLY
LS503359	BEARING SPACER ADAPTER KIT
LS503360	G.B. CYL. ALL MODEL SAE PORT
LS503361	GUTTER BROOM CYLINDER
LS503362	600 P.U.H. LIFT CYL., SAE PORTS
LS503363	CYLINDER W/FITTINGS
LS503364	210/435 DD/P.U.H. CYLINDER, SAE PORTS
LS503365	DUMP DOOR/P.U.H. CYLINDER
LS503370	210 CYLINDER, SAE PORTS
LS503372	DUMP DOOR CYL., SAE PORT
LS503374	G.B. TILT CYLINDER, SAE PORTS
LS503383	210 CENTER SCREEN
LS503384	210 HOPPER SIDE SCREEN
LS503386	SLIDE OUT SCREEN KIT
LS503391	GUTTER BROOM MANIFOLD
LS503408	L.A.N. MAGNET SWITCH MOUNT ASSEMBLY
LS503411	BAH HEAD WATER SYSTEM PARTS
LS503412	HOSE
LS503421	RELIEF ASSEMBLY
LS503425	HSP WATER SYSTEM PARTS
LS503432	RH G.B. MOUNTING WELDMENT
LS503433	LH G.B. SHOULDER PLATE WELD.
LS503434	LH GUTTER BROOM ASSEMBLY
LS503435	RH GUTTER BROOM ASSEMBLY
LS503441	LOCK VALVE W/WIRE HARNESS
LS503446	VERTICAL DIGGER ASSEMBLY
LS503455	HYD. HOSE ASSY. 1/4" X 27"
LS503467	HAND HOSE EXT. BOOM ARM ASSY.
LS503480	PRESSURE TRANS. WELD.
LS503481	ACTUATOR ASSY.-DIVERTER L.A.N.
LS503485	HSP SUCTION TRANS SEAL, 10"
LS503521	TRANSITION & SEAL
LS503522	SUCTION TRANS./SEAL ASSY. #350

TYMCO

LS503541	HI VOLUME SKIMMER SCOOP
LS503602	210 MAIN WIRE HARNESS-ISUZU
LS503612	210DC AIR BLEEDER WELD.
LS503614	210DC BLEEDER PIVOT W/ARM
LS503619	AUX. HAND HOSE ASSY., 8"
LS503648	600 AUX. HAND HOSE ASSY., 6"
LS503651	210 AUX. HAND HOSE ASSY./KIT, 6"
LS503690	LH 600 DRAG LINK MOUNT WELD.
LS503691	RH 600 DRAG LINK MOUNT WELD.
LS503736	HARDWARE
LS503737	FASTENER SET
LS503781	MANIFOLD
LS503796	210 HYDRAULIC PUMP
LS503799	HOSE ASSEMBLY, 1/4" X 103"
LS503838	BROOM TILT SWITCH
LS503839	PICKUP HEAD SWITCH
LS503840	ENGINE RPM SWITCH
LS503841	PRESSURE BLEEDER SWITCH
LS503842	GUTTER BROOM SWITCH
LS503843	BAH SWITCH
LS503845	BROOM WATER SWITCH
LS503846	BROOM LIGHT SWITCH
LS503847	WARNING LIGHTS SWITCH
LS503848	WATER SYSTEM SWITCH
LS503849	SWITCH-HOPPER WATER, SPST (C-H)
LS503850	SWITCH-H/O WATER, SPST
LS503851	SWITCH. HEAD WATER
LS503852	PICK-UP HEAD SWITCH
LS503855	AUXILIARY HYDRAULIC SWITCH
LS503856	WORK LIGHT SWITCH
LS503859	600 DUMP SWITCH WIRE HARNESS
LS503878	ROD
LS503884	PICKUP HEAD DOLLY ASSY.
LS503899	DST-6 CURTAIN SET W/HDW.

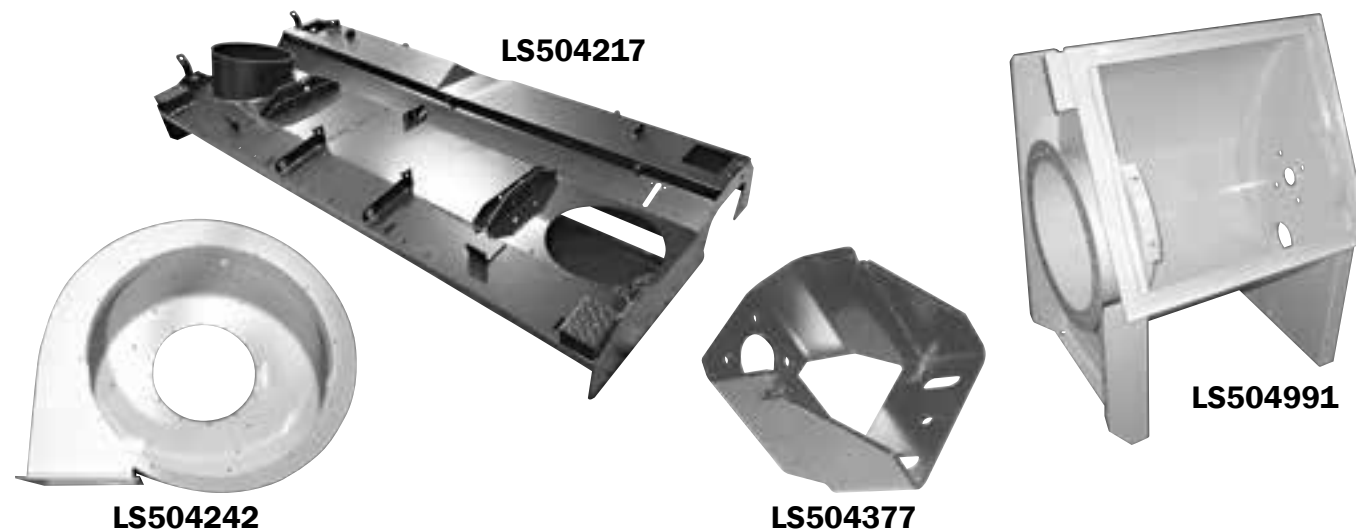
TYMCO

LS503907	DUAL STEERING GEAR ASSEMBLY-ISUZU
LS503908	SEP. CABLE/HANDLE W/CATCH, 98"
LS503928	SWITCH-ASI, SPDT (C-H)
LS503957	CONTROL PANEL ASSY.-COMPLETE
LS503964	PILOT LAMP ASSEMBLY
LS503988	WATER TANK ASSEMBLY
LS503994	PILOT LIGHT ASSEMBLY
LS504006	DRIVE POSITION SWITCH
LS504009	FHD BOOM SWITCH
LS504018	LH G.B. MTG. PLATE, GMC POLY
LS504035	210 WATER SYSTEM
LS504039	SCREEN VIBRATOR SWITCH
LS504110	600 P.U.H. TRANSITION
LS504120	210 DUMP CYL. (PIGGY BACK)
LS504135	COVER PLATE WELDMENT, HYDRAULIC TANK
LS504137	LH UPSTOP MOUNTING WELD.
LS504139	REAR BUMPER, ISUZU
LS504141	SWEEPER FRAME ASSEMBLY/CROSSMEMBER
LS504147	210 POLY WAFER OPTION, GMC
LS504149	FUEL TANK STRAPS
LS504161	600 COATED BLOWER KIT
LS504164	TOOL BOX ASSEMBLY - ISUZU
LS504166	600 PLAIN BLOWER KIT
LS504174	FITTING
LS504177	210 H.D. G.B. NUT COVER
LS504185	PIN EYE MOUNT PLATE
LS504212	1/2" HYDRAULIC HOSE ASSY.
LS504213	1/2" HYDRAULIC HOSE ASSY.
LS504214	HOSE ASSEMBLY 1/2" -18" HYDRAULIC BLUE
LS504215	HOSE ASSEMBLY 1/2" -18" HYDRAULIC BLUE

GET MORE INFORMATION: CALL 800.543.6161 • EMAIL SALES@LACAL.COM

ALL PARTS ARE GUARANTEED TO MEET WITH YOUR APPROVAL. Lecal Equipment is in no way implying that any of our products are original equipment parts. All original equipment manufacturer's names, drawings, colors and part numbers are used for identification purposes only.

This Is Just A Sample of Our Most Popular Parts • Additional Parts Available



TYMCO

LS504217	BAH BARE PICKUP HEAD
LS504217ASSY	600 BAH P.U.H. SUB ASSEMBLY
LS504235	600 ABRASION PROTECTION KIT
LS504238	ASI BOX ASSEMBLY W/PIC CHIP
LS504241	210 BLOWER HOUSING TRANSITION
LS504242	BLOWER HOUSING
LS5042421	BLOWER HOUSING W/LINER ASSY.
LS504242KIT	BLOWER HOUSING LINER KIT
LS504242SS	210/435 BLOWER HOUSING, S.S.
LS504243	BLOWER HOUSING & TRANSITION KIT
LS504247	SWITCH-PURGE SYSTEM SPST
LS504268	WIRING HARNESS
LS504302	ELECTRONIC THROTTLE KIT
LS504305	BAH CONTROL VALVE SUB-ASSY.
LS504313	SUPPORT BRKT. WELD., AIR CLEAN
LS504314	MOUNTING BRACKET WELD.
LS504323	TRANS. WELD.-LAN (BAH/STD)
LS504343	WIRE HARNESS-DEUTSCH BYPASS
LS504348	ALIGNMENT BOLT
LS504354	CENTER DEFL. ASSY. W/MOUNTS
LS504364	FHD BLOCK OFF WELDMENT-BAH
LS504365	FHD HOPPER UNION WELD.-BAH
LS504377	210 G.B. HAND WELD, 600 STYLE
LS504381	RH G.B. EXT PLATE WELDMENT
LS504458	MTG. BKT. WELDMENT-STEP
LS504459	VICKERS COIL, 12 VDC
LS504465	210 BLOWER BOX DOOR WELD.
LS504469	GAUGE - RPM
LS504471	UPPER SAFETY PROP
LS504472	LOWER SAFETY PROP
LS504473	DEFLECTOR ASSEMBLY
LS504475	RADIATOR MOUNT
LS504477	FRONT COWLING MOUNT

TYMCO

LS504490	BLOWER HOUSING COVER
LS504491	210 BLOWER KIT, COATED IMPELLER
LS5044911	BLOWER HOUSING KIT, NO IMPELLER SHAFT/HUB
LS504491505022	BLOWER & SEPARATOR ASSEMBLY, UNLINED
LS504491505023	LINED BLOWER & SEPARATOR ASSEMBLY
LS504503	DOUBLE DUO SKID WELD., STD.
LS504523	DOUBLE DUO SKID WELD., BAH
LS504553	SENDING UNIT, FUEL TANK FL70
LS504555	PRESSURE INLET W/BLEEDER WELDMENT
LS504559	210 TRANSITION W/LEAF BLEEDER
LS504561	HOSE
LS504562	HOSE
LS504566	WIRE HARNESS-BAH/DUMP DOOR SWP
LS504622	SINGLE CONTROL VALVE ASSY.
LS504642	FRONT BUMPER SPRAY BAR ASSY.
LS504656	RH WIRE HARNESS-TAILLIGHT FL70
LS504657	LH WIRE HARNESS-TAILLIGHT FL70
LS504658	WIRE HARNESS-TAILLIGHT CONNECT
LS504687	CONTROL VALVE-BAH W/DEUTSCH
LS504701	EXH. TUBE WELD. V2003T2.375"
LS504725	210 AUX. HANDHOSE ASSEMBLY W/BOOM
LS504777	6 STATION/4 VALVE MANI. ASSEMBLY-DEUTSCH
LS504778	6 STATION/4 VALVE ASSY. NO TILT
LS504781	6 STATION/6 VALVE DUAL TILT-DEUTSCH
LS504784	600 MAIN MANIFOLD ADD-ON SECT
LS504805	210 FENDER, 99 & UP FORD

TYMCO

LS504805SS	210 S.S. FENDER, 99 & UP FORD
LS504806	WASHDOWN GUN
LS504812	HOSE
LS504833	JUMPER/PIGTAIL WIRE HARNESS,
LS504860	REAR SPLIT SCREEN WELD., STD.
LS504861	FRONT SPLIT SCREEN WELD., STD.
LS504883	FLEX COUPLING, WELD-GM350
LS504897	210/435 PICKUP HEAD, SRE
LS504898	COATED PRESSURE INLET, SRE
LS504899	SUCTION TRANSITION, SRE COATED
LS504901	210/435 SRE PRESSURE TRANSITION
LS504919	210 WIRE HARNESS-FENDERS
LS504929	210/435 ELECT. WATER PUMP ASSEMBLY
LS504949	CONTROL VALVE AST. W/DEUTSCH
LS504954	PARABOLIC MIRROR
LS504956	DC PRESSURE TUBE WELDMENT 8" PORT
LS504991	210 SEPARATOR W/SKIMMER
LS504992	SEPARATOR - RUBBER LINED
LS504993	210 ABRASION PROTECTION KIT
LS505007	MUFFLER MOUNT WELDMENT
LS505020	210/435 SEPARATOR W/SEAL
LS505021	RUBBER LINED SEPARATOR W/SEAL
LS505022	SEPARATOR KIT, UNLINED
LS505023	LINED SEPARATOR KIT
LS505024	LINEAR ACTUATOR ASSEMBLY
LS505026	BUMPER EXTENSION WELD.
LS505030	HOSE-COMPRESSOR TO COOLER
LS505041	SWITCH
LS505050	VELOCITY INTENSIFIER, COATED
LS505055	DST-6 BAH PICK-UP HEAD KIT
LS505055ASSY	DST-6 BAH P.U.H. ASSEMBLY

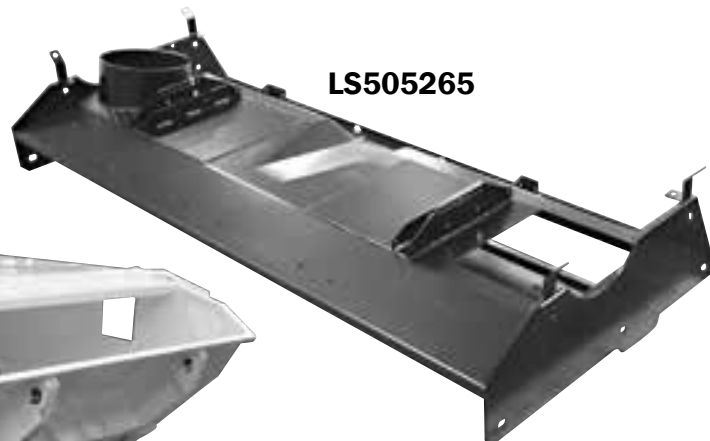
GET MORE INFORMATION: CALL 800.543.6161 • EMAIL SALES@LACAL.COM

ALL PARTS ARE GUARANTEED TO MEET WITH YOUR APPROVAL. Lecal Equipment is in no way implying that any of our products are original equipment parts. All original equipment manufacturer's names, drawings, colors and part numbers are used for identification purposes only.

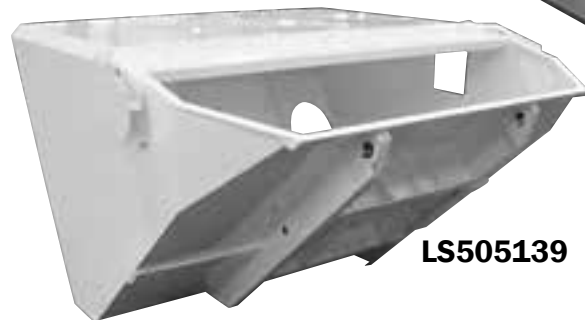
This Is Just A Sample of Our Most Popular Parts • Additional Parts Available



LS505169



LS505265



LS505139



LS505166

TYMCO

LS505086	WATER DRAIN ASSEMBLY
LS505107	HOPPER DELUGE ASSY.-W/TRIPLE
LS505139	DIRT HOPPER WELDMENT
LS505147	PIN WELDMENT
LS505148	DUMP CYLINDER
LS505149	435 SKIMMER HOOD WELD.
LS505150	DUMP DOOR WELDMENT
LS505150SS	435 DUMP DOOR, S.S.
LS505158	RH FENDER WELDMENT
LS505159	RH FENDER WELDMENT
LS505161	435 SCREEN WELDMENT
LS505161SS	435 HOPPER SCREEN, S.S.
LS505162	SCREEN ARM/SHAFT WELD.
LS505163	SCREEN HANDLE WELDMENT
LS505164	RH REAR STORAGE WELD.
LS505165	LH REAR STORAGE WELDMENT
LS505166	SUCTION TUBE WELDMENT
LS505167	SUCTION ADAPTER WELD.
LS505169	FLANGE WELDMENT
LS505170	CLEANOUT DOOR, RETRO-FIT KIT
LS505171	GRIPPER PLUG, 4" DIA.
LS505172	G.B. SEQUENCE VALVE
LS505190	WATER TANK FRAME WELD.
LS505191	STORAGE BOX WELDMENT
LS505202	210 SRE BLOWER HOUSING WELD.
LS505203	435 HOPPER DRAIN WELD.
LS505208	435 HOPPER ASSEMBLY
LS505211	CONTROL VALVE RELIEF/FLOW
LS505213	600 HINGE WELD., DUST SEP.
LS505214	MID SLOT SEPARATOR ASSY.
LS5052141	MID SLOT SEPARATOR ASSY.

TYMCO

LS5052142	MID SLOT SEP. ASSEMBLY W/O INLET SCROLL
LS505215	TUBE MANIFOLD-HI VOLUME DELUGE
LS505216	SAFETY PROP WELDMENT
LS505244	TOP MOUNT WELD. -BLOWER SRE
LS505245	BOTTOM MOUNT WELD. -BLOWER SRE
LS505258	600 VERT. STIFFENER WELD., BBH
LS505260	600 BARE HOPPER SHELL
LS505265	PICKUP HEAD W/ABO BRKT.
LS505266	FENDER SUPPORT WELDMENT
LS505271	BLAST ORIFICE WELDMENT
LS505271SS	BLAST ORIFICE, S.S.
LS505275	600 MTG. BRACKET WELD., BBH
LS505282	6-VALVE ASSEMBLY- REMCOR
LS505312	435 DUMP DOOR SEAL
LS505313	SUCTION TUBE SEAL
LS505315	435 AUX. HAND HOSE DOOR WELD.
LS505327	STORAGE COMPARTMENT ASSY.
LS505340	HOPPER ASSEMBLY W/BOLT-ON BLOWER
LS505350	435 ABRASION PROTECTION KIT
LS505351	BBH INTERFACE PANEL
LS505353	435 HOPPER DRAIN ASSY.
LS505364	HOSE ASSEMBLY 1/4" X 75" HYD.
LS505375	435 SRE COATED SUCTION TUBE
LS505376	435 SUCTION ADAPTER, SRE COATED
LS505393	MANIFOLD
LS505394	4-VALVE ASSEMBLY W/PIPE
LS505396	7-VALVE ASSEMBLY
LS505402	4-STATION WATER MANIFOLD
LS505403	6-STATION WATER MANIFOLD
LS505407	3-STATION WATER VALVE
LS505408	4-STATION WATER MANIFOLD ASSY.

TYMCO

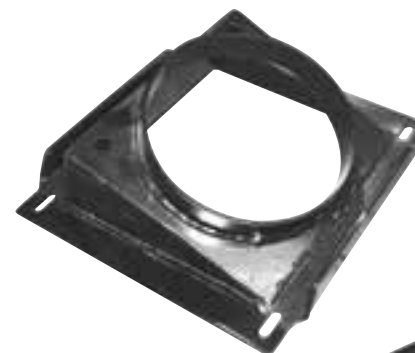
LS505410	BOLT-ON BLOWER HOUSING W/ MOUNTS
LS505410ASSY	BOLT-ON BLOWER HOUSING W/ LINER
LS505416	WIRE HARNESS, WATER MANIFOLD
LS505429	435 HOPPER DELUGE MOUNT WELD.
LS505433	NOZZLE MOUNT WELDMENT
LS505434	DELUGE PLUG ASSEMBLY
LS505437	210/435 PICKUP HEAD ASSY.
LS5054371	P.U.H. ASSY., LESS LIFT SHAFT
LS5054372	P.U.H. ASSY., LESS SHOES
LS5054373	PICKUP HEAD ASSEMBLY
LS5054374	210/435 P.U.H. ASSEMBLY, BOTH HD HOSE
LS5054375	210/435 P.U.H. ASSEMBLY, HD HOSES, NO SHOES
LS505437SS	210/435 P.U.H. ASSY., S.S.
LS505453	HOSE ASSY. 1/4" X 108" WATER
LS505468	DELUGE ASSEMBLY
LS505469	HAND HOSE NOZZLE ASSY. Q.D. 6"
LS505470	HOSE ASSY., 1/4" X 186" WATER
LS505471	HOSE ASSY., 1/4" X 126" WATER
LS505498	435 DELUGE PLUG ASSEMBLY
LS505514	CABLE
LS505515	CABLE
LS505520	CONTROL PANEL
LS505541	CLEANOUT PLUG W/CHAIN, 6"
LS505556	HOSE ASSEMBLY
LS505557	HOSE ASSEMBLY
LS505574	HOSE ASSEMBLY 1/2" X 65" FUEL
LS505596	WIRE HARNESS-PIGTAIL TAILLIGHT
LS505598	WIRE HARNESS-LH TAILLIGHT IH
LS505599	WIRE HARNESS-RH TAILLIGHT IH
LS505624	210/435 MAIN CONTROL HARNESS
LS505629	FRONT CROSSMEMBER WELD.

BE SURE TO CHECK OUT OUR SELECTION OF BROOMS BEGINNING ON PAGE 83 OF THIS CATALOG.

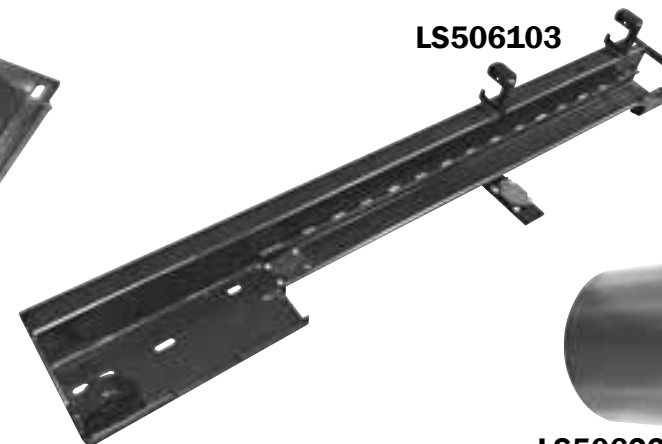
GET MORE INFORMATION: CALL 800.543.6161 • EMAIL SALES@LACAL.COM

ALL PARTS ARE GUARANTEED TO MEET WITH YOUR APPROVAL. Lecal Equipment is in no way implying that any of our products are original equipment parts. All original equipment manufacturer's names, drawings, colors and part numbers are used for identification purposes only.

This Is Just A Sample of Our Most Popular Parts • Additional Parts Available



LS505661



LS506103



LS506226

TYMCO

LS505641	26" MUD FLAP GUARD ASSEMBLY- DELUGE
LS505648	PRESSURE INLET 4" CLEANOUT
LS505661	435/DST-4 BLEEDER WELD.
LS505674	40" MUD FLAP ASSY.-HOPPER
LS505677	210 G.B. CYLINDER, FORD
LS505687	DST-4 BLOWER HOUSING WELD.
LS505689	DST-4 BLOWER HOUSING ASSEMBLY W/TRANS.
LS505690	TUBE ASSEMBLY
LS505732	PICKUP HEAD ASSEMBLY
LS505734	DST-4 SHOP AIR FILL ASSY.
LS505737	REMOVABLE DRAG LINK BRKT. KIT
LS505738	600 WATER DRAIN ASSY.-CNG
LS505741	500X SCISSOR LIFT DO5 VALVE
LS505744	500X/600 G.B. TORQ MOTOR SUB- ASSEMBLY
LS505747	DUMP DOOR WELD., 2003
LS505748	SEAL/BUSHINGS/DUMP DOOR ASSEMBLY
LS505750	RH BUMPER END CAP
LS505751	LH BUMPER END CAP
LS505776	REVERSE P.U.H. RESTRAINT
LS505779	600 P.U.H. WATER SYSTEM COMPONENTS
LS505789	HSP BLAST ORIFICE
LS505793	G.B. UNIVERSAL JOINT ASSY.
LS505809	HOSE ASSEMBLY-1/2" OIL DRAIN KUB. T2
LS505810	7" CLUTCH MAGNET MOD. -CAT PUMP
LS505829	T MOTOR, BAH-EATON 8 CID
LS505846	500X HYD. BLOWER MOTOR
LS505848	500X HYDRAULIC PUMP, HD SER 2- W/T3
LS505875	500X STABILIZER CYLINDER

TYMCO

LS505876	500X P.U.H. CYLINDER
LS505884	DUAL STR. ACCEL. MODULE ASSY.
LS505889	RAM ARM EXT. WELD.-DROP DOWN G.B.
LS505890	LH G.B. POSITIONER MOUNT WELD.
LS505896	GB TILT CYLINDER HDW. KIT
LS505925	BAH PICKUP HEAD WELDMENT
LS505929	BLOWER SHAFT
LS505933	MOUNTING ARMS
LS505963	WRAP FLEX COUPLING ASSY.
LS505982	VARIABLE FLOW CONTROL MANIFOLD
LS506049	500X PRESSURE SEQUENCE VALVE
LS506053	500X P.O. CHECK VALVE, 75PSI
LS506060	WIRE HARNESS-STAB. PROX.
LS506070	HARNESS
LS506103	500X LOWER SLIDER SUPPORT
LS506125	500X SCISSOR REST WELDMENT
LS506126	500X SCISSOR PROP ROD WELD.
LS506132	S.S. REAR SCREEN WELD., CHIP SEAL
LS506133	S.S. FRONT SCREEN WELD., CHIP SEAL
LS506137	500X CHUTE ASSEMBLY
LS506143	500X DUMP DOOR WELD., S.S.
LS506146	500X SEPARATOR DOOR ASSY.
LS506147	500X SEPARATOR DOOR WELD.
LS506150	500X SEP. HOOD HINGE WELD.
LS506151	500X SUCTION TUBE WELD.
LS506157	500X BAH PICKUP HEAD ASSY.
LS506164	500X STABILIZER ASSEMBLY
LS506167	LH 500X STABILIZER MOUNT WELD.
LS506174	500X REAR BUMPER ASSY.-IH 4200
LS506176	500X BLOWER HOUSING ASSY.

TYMCO

LS506177	BLOWER HOUSING WELDMENT
LS506177ASSY	500X BLOWER HOUSING W/ LINER ASSEMBLY
LS506178	500X BLOWER ASSEMBLY
LS506179	COATED BLOWER ASSEMBLY
LS506180	CHANNEL WELDMENT
LS506181	BLOWER COVER WELDMENT
LS506192	BLOWER MOUNT
LS506203	UPSTOP KIT
LS506204	UPSTOP SLEEVE WELDMENT
LS506205	UPSTOP ARM WELDMENT
LS506226	500X SUCTION TUBE WELD.
LS506253	500X FRONT SCREEN WELD. EXPM., S.S.
LS506254	500X REAR SCREEN WELD. EXPM., S.S.
LS506302	SUCTION TRANS. ADAPTER W/ SEAL
LS506330	HYDRAULIC PUMP
LS506333	600 AUX. HYDRAULIC SYS. ASSEMBLY-BAH
LS506364	HAND HOSE SUCTION TUBE WELD.
LS506365	500X HAND HOSE SUCTION ASSY.
LS506368	DST-6 STRATA DOOR SEAL
LS506370	DST CLEANOUT DOOR SEAL ASSY.
LS506371	DST ACCESS DOOR SEAL ASSY.
LS506374	500X STD PICKUP HEAD WELD.
LS506380	SWITCH PACK
LS506382	SWITCH PACK, SLAVE MODULE # 2
LS506383	SWITCH PACK
LS506386	SWITCH PACK, SLAVE MODULE #6
LS506387	SWITCH PACK
LS506389	RHEOSTAT G.B. W/WIRES
LS506390	8" HAND HOSE BKT. ASSEMBLY
LS506422	5-VALVE ASSEMBLY- REMCOR

GET MORE INFORMATION: CALL 800.543.6161 • EMAIL SALES@LACAL.COM

ALL PARTS ARE GUARANTEED TO MEET WITH YOUR APPROVAL. Lecal Equipment is in no way implying that any of our products are original equipment parts. All original equipment manufacturer's names, drawings, colors and part numbers are used for identification purposes only.

This Is Just A Sample of Our Most Popular Parts • Additional Parts Available

TYMCO

- LS506442 HOSE ASSEMBLY 1/2" X 54" HYDRAULIC 10944
- LS506472 500X BULKHEAD WELD. -HOPPER DELUGE
- LS506496 ELECTRIC THROTTLE KIT-KUBOTA T2
- LS506497 HOSE ASSY., 1/2 X 41" HYDRAULIC
- LS506520 GUTTER BROOM MANIFOLD
- LS506521 FITTING ASSY.-WATER FILLER HOSE
- LS506527 RH ARM WELDMENT ASSY.
- LS506528 LH ARM WELDMENT ASSY.
- LS506529 G.B. WRIST, NEW TILT
- LS506534 WRIST PIN, G.B. TILT #2
- LS506542 LH G.B. TILT SUB ASSEMBLY
- LS506547 G.B. MANIFOLD ASSEMBLY
- LS506550 LH TILT G.B. SUB-ASSEMBLY
- LS506551 RH TILT G.B. SUB-ASSEMBLY
- LS506554 LH 500X/600 G.B. TILT ASSY.
- LS506555 RH 500X/600 G.B. TILT ASSY.
- LS506556 Q RELEASE HANDLE, 8" HANDHOSE
- LS506557 G.B. MANIFOLD ASSY. W/JIC FTG
- LS506576 435 BIG DUMP DOOR SEAL
- LS506577 DUMP DOOR
- LS506578 FRAME WELDMENT
- LS506579 SUCTION TUBE/TRANS. INSTALL JIG
- LS506581 435 HOPPER ASSEMBLY
- LS506582 HOPPER BT. SCREEN WELD.
- LS506583 435 BIG TOP HOPPER WELD.
- LS506598 435 HOPPER UHMW INLET LINER
- LS506603 4 STATION VALVE MANIFOLD
- LS506604 CURTAIN LIFTER WELD
- LS506607 500X FRONT CURTAIN LIFT ASSY.
- LS506608 INLET WEAR FLANGE ASSEMBLY W/LINER
- LS506609 FLANGE WELDMENT
- LS506631 CURTAIN LIFTER KIT
- LS506632 CURTAIN LIFTER CONTROL WIRING
- LS506667 500X WATER PUMP ASSEMBLY
- LS506679 SPEED SENSOR BRACKET WELD.
- LS506683 600 STRAIGHT DRAG LINK, ITEC
- LS506684 G.B. SPACER BLOCK, ITEC T3
- LS506702 PRESS TOOL SUCT. IN LINER ASSY.
- LS506710 600 RADIATOR MOUNT WELD. -JD T3
- LS506714 COOLANT SURGE TANK
- LS506749 435 SWEEPER CONVERSION KIT
- LS506750 600 SWEEPER REPLACEMENT KIT
- LS506757 DST P.U.H. SUB-ASSEMBLY
- LS506758 210/435 P.U.H. SUB-ASSY.
- LS506759 435 P.U.H. SUB-ASSY.
- LS506762 600 BAH P.U.H. SUB-ASSY.
- LS5067621 600 BAH P.U.H. ASSY. SPEC
- LS506763 600 PICKUP HEAD KIT
- LS506763ASSY 600 PICKUP HEAD ASSY.
- LS506769 HSP PICKUP HEAD SUB-ASSY.
- LS506772 500X P.U.H. SUB-ASSY. STD.

TYMCO

- LS506774 500X BAH P.U.H. SUB-ASSY.
- LS506776 DST-6 BAH P.U.H. SUB-ASSY.
- LS506784 MID SLOT SEPARATOR SUB-ASSY.
- LS506791 HOPPER NOZZLE FLUSH MOUNT COVERS
- LS506813 210 REVERSE HEAD LIFT KIT
- LS506835 210/435/DST-4 SLIP YOKE WELD.
- LS506855 CLEARANCE LIGHT HARNESS W/ LOOM
- LS506857 STRATA PANEL HOUSING SEAL
- LS506862 CENTER DIRT DEFL. ASSEMBLY-132" WB
- LS506863 CENTER DIRT DEFL. ASSEMBLY
- LS506864 LH TILT GUTTER BROOM ASSY.
- LS506878 RELIEF VALVE W/MANIFOLD-SUN
- LS506904 6-STATION/6-VALVE CONTROL MANIFOLD
- LS506909 435 TOOLBOX DOOR ASSY.
- LS506915 SUCTION HOSE, HD, 12" X 24"
- LS506954 500X HD SUCTION LINER ASSY.
- LS506964 CURTAIN LIFTER WELDMENT
- LS506965 CURTAIN LIFTER ASSEMBLY
- LS507016 DST-6 STRATA PANEL ASSY.
- LS507058 RH ARM WELDMENT
- LS507060 LH ARM WELDMENT
- LS507067 WIRE HARNESS-HI PRESSURE SOLENOID
- LS507081 SUCTION NOZZLE LINER ASSEMBLY - A.B.P.
- LS507082 500X ABRASION PROTECTION PKG.
- LS507083 SUCTION TRANS. LINER ASSY. A.B.
- LS507094 4" PLUG ASSY. - CLEANOUT PORT
- LS507100 500X PRESSURE SWITCH-HYD.
- LS507120 DST FILTER/SEP. ASSEMBLY
- LS507129 SUCTION TUBE LINER ASSY.-ABRASION PROTECTION
- LS507131 ELECT. HYDRAULIC PUMP ASSEMBLY W/FITTINGS
- LS507132 HYD. PUMP, 12 VDC W, ORB PORTS
- LS507145 WIRE HARNESS PRESSURE SWITCH RETRO
- LS507146 BAH PRESSURE SWITCH RETROFIT
- LS507157 SKID BUMPER EXT. SET ASSEMBLY

TYMCO

- LS507183 HOPPER INLET LINER
- LS507184 ABRASION PKG. W/BOLT-ON SUCTION
- LS507187 SEPARATOR DOOR HOOK WELD.
- LS507228 GULLWING DOOR, STREET SIDE
- LS507252 210H TORQUE MOTOR 6.2 CID, G.B.
- LS507253 HYDRAULIC OIL COOLER ASSY.
- LS507268 BLOWER DOOR
- LS507313 FLUE SHAFT WELDMENT
- LS507314 FLUE ACTUATOR HARNESS
- LS507331 COOLANT RESERVE TANK KIT
- LS507332 OVERFLOW TANK
- LS507369 RELIEF VALVE-RV5/1. 75 EATON
- LS507370 500X/600 GUTTER BROOM HAND WELDMENT 5-DEG.
- LS507376 CLEANOUT PLUG HANDLE
- LS507381 HARNESS
- LS507386 LED WARNING LIGHT RETROFIT KIT
- LS507388 PRESSURE INLET W/ACTUATOR TAB
- LS507399 PICKUP HEAD INLET W/6" CLEANOUT PORT
- LS507404 DST-6 DUSTLESS BOX ASSY.
- LS507408 PRESSURE INLET W/ACT TAB
- LS507410 600 RETROFIT KIT - PRESSURE INLET
- LS507416 500X RETROFIT KIT-PRESSURE INLET
- LS507430 210/435 GUTTER BROOM HAND WELDMENT 5-DEG.
- LS507445 HI CAP DUST SEPARATOR WELD.
- LS507476 210 LOW PROFILE P.U.H. WELD.
- LS507479 210 FORD CURTAIN SET
- LS507483 600 HAND HOSE DOOR ASSY., 8"
- LS507486 FRAME WELD., INSPECTION DOOR
- LS507507 INSPECTION DOOR WELDMENT
- LS507508 HAND HOSE DOOR WELDMENT
- LS507509 210/435 INSPECTION DOOR ASSY.
- LS507510 210 HAND HOSE DOOR ASSY., 6"
- LS507519 RETROFIT KIT-KUB. COOLANT REC.
- LS507562 BLOWER LINER PRESS TOOL KIT
- LS507563 MOUNT BASE WELDMENT
- LS507564 RAM WELDMENT
- LS507592 SWITCH PACK
- LS507609 FUSE PANEL & RELAY ASSY.
- LS507668 G.B. POSITIONER MOUNT WELD. UNISTRUT
- LS507669 TAB WELD. -G.B. UNISTRUT
- LS507679 PRESSURE INLET WELDMENT W/ ACT TAB
- LS507681 RETROFIT KIT-PRESSURE INLET LPB
- LS507708 HOPPER SCREEN BAFFLES, SET/2
- LS507721 FILTER
- LS507735 600 SEP. LINER PRESS TOOL KIT

WAIT... I DON'T SEE THE PART I NEED!

Call **800.543.6161** to access our entire inventory of parts. This catalog is only a portion of the quality replacement parts that Lecal Equipment offers!

GET MORE INFORMATION: CALL 800.543.6161 • EMAIL SALES@LACAL.COM

ALL PARTS ARE GUARANTEED TO MEET WITH YOUR APPROVAL. Lecal Equipment is in no way implying that any of our products are original equipment parts. All original equipment manufacturer's names, drawings, colors and part numbers are used for identification purposes only.

This Is Just A Sample of Our Most Popular Parts • Additional Parts Available



TYMCO

- LS507736 REMOVABLE SUCTION TRANS. KIT ITEC
- LS507738 BLOWER HOUSING WEDGE
- LS507812 SUCTION ADAPTER W/SEAL ASSY.
- LS507887 PRESSURE TRANS. W/6" CLEANOUT PORT
- LS507932 STABILIZER MOUNT WELDMENT-MAGNET
- LS508026 600 SUCTION LINER KIT
- LS508029 DST SWITCH PACK ASSEMBLY
- LS508031 RH G.B. ARM WELDMENT- 3"
- LS508118 DST-6 VACUATOR MANIFOLD ASSY.
- LS508136 POWER CORE AIR CLEANER ASSY.
- LS508158 PRESSURE LID W/SEAL KIT
- LS508159 RETROFIT KIT-HSP LPB ASSEMBLY
- LS508334 LIFT WELDMENT
- LS508346 STRAINER ASSY.-WATER 1" FPT BLK ROLLER
- LS508404 SCREEN ASSEMBLY
- LS508408 600 SCREEN ASSY.-HOPPER DRAIN
- LS508483 HINGE WELD
- LS508603 GB TORQ MOTOR, PARKER TG 17. 1
- LS508609 600/500X SHEAVE/CLUTCH RETROFIT
- LS508609CLUTCH CLUTCH ONLY FOR LS508609
- LS5VX560/02 DUAL BANDED BELT
- LS800006 BLOWER ASSEMBLY
- LS800016 DUMP DOOR FHD 600 BAH
- LS800019 DIRT HOPPER WELDMENT
- LS800020 HOPPER SEAL FLANGE
- LS800025 SEPARATOR SCREEN
- LS800027 SEPARATOR WELDMENT
- LS800047 PIN WELDMENT
- LS800067 CLUTCH ASSEMBLY-BLOWER FHD
- LS800084 PIN WELDMENT

TYMCO

- LS800087 ROD TRUNION ASSEMBLY
- LS800275 HOPPER DOOR SEAL ASSY.
- LS800386 PIN WELDMENT
- LS800387 DEFLECTOR ASSEMBLY
- LS800388 CENTER DIRT DEFLECTOR, CARGO
- LS800389 SEPARATOR BEARING MOUNT
- LS800396 TOP SCROLL WELDMENT
- LS800397 BOTTOM SCROLL LID ASSY.
- LS800411 CHUTE
- LS800472 FHD PLENUM WELDMENT, BAH
- LS800493 FHD PRESSURE INLET, BAH
- LS800494 DRAG LINK EXTENSION, BAH
- LS800495 LIFT ARM WELDMENT, BAH
- LS800497 BAH DRAG LINK WELDMENT
- LS800620 STRAIGHT HOPPER INLET TUBE WELDMENT
- LS800727 FHD BAH PICKUP HEAD WELD.
- LS800733 BAH PICKUP HEAD ASSEMBLY
- LS800737 FHD SWIVEL MANIFOLD-W/ DEUTSCH
- LS800742 500X/FHD SINGLE C. VAL. -DUMP
- LS800795 FHD CLUTCH ASSEMBLY-1999
- LS800808 WATER MANIFOLD ASSEMBLY
- LS8010035 HOPPER CURTAIN CLAMP
- LS8010036 CURTAIN
- LS8010066 HINGE-SKIMMER DOOR FHD 3.5 X 42
- LS8010111 HUB BLOWER WHEEL
- LS8010144 SHIM-WEAR PAD
- LS8010145 WEAR PAD-LARGE UHMW
- LS8010146 SHIM-WEAR PAD
- LS8010147 WEAR PAD-SM UHMW
- LS8010150 WEAR PAD, LIFT PAD
- LS8010313 600/FHD IMPELLER

CATALOG KEY

Lecal Equipment's Sweeper Parts Item Numbers consist of the prefix "LS" (for "Lecal Sweeper") followed by the part number.

OUR COMMON ABBREVIATIONS:

- M.B. = MAIN BROOM
- C.B. = CENTER BROOM
- S.B. = SIDE BROOM
- G.B. = GUTTER BROOM
- BAH = BROOM ASSISTED HEAD
- HD = HEAVY DUTY
- S.S. = STAINLESS STEEL
- RH = RIGHT HAND
- LH = LEFT HAND
- ASSY = ASSEMBLY
- MNT / MTG = MOUNT / MOUNTING
- GEO = GUTTERBROOM EXTENSION OVERRIDE
- HYD = HYDRAULIC
- TH = THICK
- BRKT = BRACKET
- KT = KIT
- W/ (AND W/O) = WITH (AND WITHOUT)
- CYL = CYLINDER
- ABO = ADJUSTABLE BLAST ORIFICE
- ELEV = ELEVATOR
- CONV = CONVEYOR
- WELD = WELDMENT
- HDW = HARDWARE
- STD = STANDARD
- P.U. / P.U.H. = PICKUP / PICKUP HEAD
- UHMW = ULTRA-HIGH MOLECULAR WEIGHT
- SYS = SYSTEM
- PWR / MAN = POWER / MANUAL
- S/N = SERIAL NUMBER

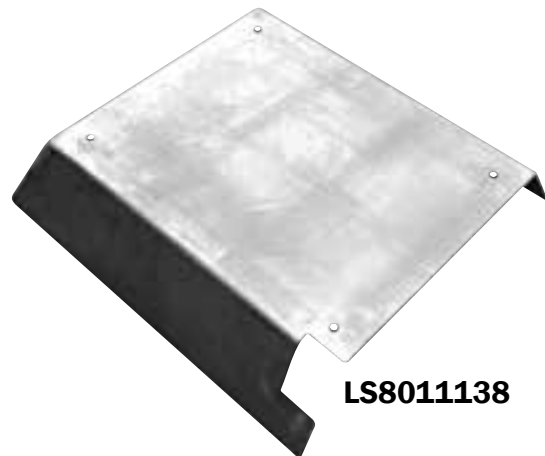
GET MORE INFORMATION: CALL 800.543.6161 • EMAIL SALES@LACAL.COM

ALL PARTS ARE GUARANTEED TO MEET WITH YOUR APPROVAL. Lecal Equipment is in no way implying that any of our products are original equipment parts. All original equipment manufacturer's names, drawings, colors and part numbers are used for identification purposes only.

This Is Just A Sample of Our Most Popular Parts • Additional Parts Available



LS8010974



LS8011138

TYMCO

- LS8010384 MIDDLE DIRT DEFLECTOR MTG. BRACKET
- LS8010386 SEAL-SIDES SEPARATOR
- LS8010387 SEPARATOR LINER
- LS8010462 BLOWER SHAFT
- LS8010466 INLET CONE-BLOWER FHD
- LS8010488 FHD SUCTION TUBE SEAL, 13.75" ID
- LS8010502 CURTAIN-DUMP DOOR
- LS8010503 FHD HOPPER CURTAIN CLAMP
- LS8010504 FHD SEPARATOR SCROLL SEAL CURTAIN
- LS8010534 SEAL SEPARATOR - TOP/BOTTOM
- LS8010560 GRAB HANDLE-REAR DOOR
- LS8010578 CURTAIN MOUNTING ANGLE
- LS8010579 CURTAIN
- LS8010580 CHAIN, 1/4" X 8 LINKS
- LS8010583 SHEAVE GUARD
- LS8010666 FHD BLOWER SHAFT FELT SEAL
- LS8010670 HOPPER DRAIN HOSE, 4" X 16"
- LS8010677 REAR PLATE SHEAVE GUARD
- LS8010723 BLOWER DRIVE KEY
- LS8010736 SEAL KIT PICKUP HEAD CYLINDER
- LS8010809 STEEL FRONT CURTAIN STIFFENER
- LS8010809SS FRONT CURTAIN STIFFENER, S.S.
- LS8010851 CLAMP SPACER, MEDIUM
- LS8010874 ARM ACTUATOR-. AIR DEFLECTOR
- LS8010882 MTG. BRACKET-THROTTLE ACTUATOR
- LS8010909 FHD FLAP-HAND HOSE DOOR
- LS8010910 FLAP NUT BRACKET
- LS8010955 MOUNTING ANGLE
- LS8010958 FHD CURTAIN MOUNTING ANGLE
- LS8010974 BOTTOM SCROLL PIECE
- LS8010987 1.50" BUSHING - DUMP DOOR

TYMCO

- LS8011138 FHD HOPPER INLET HOOD SSNI30
- LS8011143 FHD VIBRATOR PLATE
- LS8011215 BLOWER HOUSING LINER
- LS80803107 CLARKE SWEEPER S.B.
- LS80803156 CLARKE SWEEPER M.B.
- LS80803160 CLARKE SWEEPER M.B.
- LSKT1001 SKIMMER HOOD KIT
- LSKT1006 600 BLOWER HOUSING LINER KIT
- LSKT1007 KIT
- LSKT1016 TRANSITION/SEAL/FLANGE W/ DECAL
- LSKT1017 RETRO KIT-URETHANE SUCTION TRANS
- LSKT1018 UPDATE KIT, URETHANE TRANSITION
- LSKT1026 HOPPER DELUGE KIT-STEEL WATER
- LSKT1027 RETROFIT PUMP KIT
- LSKT1049 VALVE RETROFIT KIT
- LSKT1050 RETROFIT KIT-WATER SYSTEM PRESSURE
- LSKT1060 FLOAT SWITCH ASSEMBLY
- LSKT1061 G.B. MANIFOLD PACKAGE RETROFIT
- LSKT1064 DUAL SWIVEL SKIMMER/ SEPARATOR DOOR
- LSKT1067 BLOWER HOUSING RETROFIT KIT
- LSKT1069 600 BAH RETROFIT UPDATE KIT
- LSKT10691 600 BAH UPDATE KIT LESS P.U.H
- LSKT1072 HOPPER COATING REPAIR KIT
- LSKT1073 TYMCO COVER KIT
- LSKT1074 REAR ACCESS DOOR KIT
- LSKT1092 600 RETROFIT BLOWER HOUSING KIT
- LSKT1098 RETROFIT KIT-4 STATION REMCOR
- LSKT1102 BLOWER LINER & LIP KIT
- LSKT1113 FUSE PANEL RETROFIT-ALL MODELS

WE REBUILD SWEEPERS!



Lacal can rebuild your sweeper!
Keep your equipment on the road and save money! See pages 16-17.

TYMCO

- LSP12734 PALLET (4)PCS DST FILTERS-PTFE
- LSPDSTY20 210 SIDE PLATE
- LSR73784 BELT
- LSS500164 600 SCREEN, S.S.
- LSS502048 600 SKIMMER HOOD ASSY., S.S.
- LSS5020496 HANDLE CATCH, S.S.
- LSS505689 S.S. BLOWER HOUSING ASSY.
- LSS506146 500X SEPARATOR DOOR ASSEMBLY, S.S.
- LSS506147 SEPARATOR WELDMENT, S.S.
- LSS506150 HINGE WELDMENT, S.S.
- LSS507814 LOWER HOUSING W/TRANS. S.S.
- LSSCSDST6 SLOTTED CURTAIN SET
- LSTP1 LH SIDE SKID SHOE PLATE, TY33
- LSTP3 BAH SKID PLATE
- LSTY20 210 SR CARBIDE RUNNER
- LSTY210PUH1 210 P.U.H. KIT W/LEAF BLEED
- LSTY210PUH11 210 PICKUP HEAD ASSEMBLY
- LSTY210PUH2 210 PICKUP HEAD ASSEMBLY
- LSTY210PUH3 210 PICKUP HEAD ASSEMBLY W/ CURTAINS ASSEMBLED
- LSTY210PUH4 210 PICKUP HEAD KIT
- LSTY210PUH9 210 P.U.H. KIT PRE-ASSEMBLED
- LSTY24 210 DR CARBIDE SKID SHOE
- LSTY350PUH 350 PICKUP HEAD KIT
- LSTY600BPUH 600 BAH PICKUP HEAD KIT
- LSTY600BPUH1 600B PICKUP HEAD KIT
- LSTY600BPUH2 600 BAH PICKUP HEAD ASSY.
- LSTY600BPUH4 600 PICKUP HEAD ASSY.
- LSTY600BPUH5 600 BAH PICKUP HEAD ASSY.
- LSTY600BPUH6 600-BAH PICKUP HEAD KIT
- LSTY600PUH 600 PICKUP HEAD KIT
- LSTY600PUH10 600 PICKUP HEAD ASSY.
- LSTY600PUH2 600 PICKUP HEAD KIT

GET MORE INFORMATION: CALL 800.543.6161 • EMAIL SALES@LACAL.COM

ALL PARTS ARE GUARANTEED TO MEET WITH YOUR APPROVAL. Lacal Equipment is in no way implying that any of our products are original equipment parts. All original equipment manufacturer's names, drawings, colors and part numbers are used for identification purposes only.

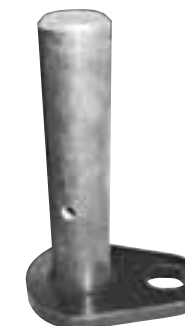
This Is Just A Sample of Our Most Popular Parts • Additional Parts Available



LS6202814W



LS6203161W



LS6200853W



LS6200693W

WAYNE

SEE JOHNSTON/GLOBAL

WITTKÉ

- LS1084430 BELT-TO-CHAIN CONVEYOR KIT
- LS1094626W LOWER FAN HOUSING WELDMENT
- LS1120309 CARBIDE DRAG SHOE DR
- LS6200114W G.B. MOTOR DRIVE WELDMENT
- LS6200448W CONVEYOR BLADE BAR
- LS6200547W CONVEYOR PULLEY WELDMENT
- LS6200636W DRAG SHOE LIFT ARM STRAP
- LS6200693W MAIN BROOM HUB
- LS6200799W CONVEYOR DRIVE PULLEY
- LS6200833W CONVEYOR IDLER ROLLER

WITTKÉ

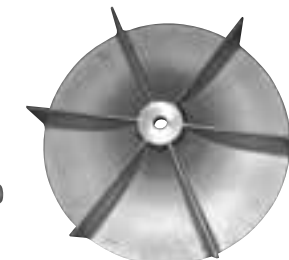
- LS6200853W CYLINDER WELDMENT PIN
- LS6202813W G.B. GREASABLE BOLT
- LS6202814W G.B. GREASABLE BOLT
- LS6202815W GUTTER BROOM BASE BOLT
- LS6202980W CARRIAGE BOLT
- LS6203161W RUBBER DRAG SHOE
- LS6203195W SQUEEGEE
- LS6203203W CONVEYOR SKIRT BOARD RUBBER
- LS6203271W POLY CENTER DRAG STRIP
- LS6203272W STRIP BRUSH, 1/2 X 8.5 X 48
- LS6203462W DEFLECTOR RUBBER
- LS6203471W CONVEYOR RUBBER SEAL
- LS6204660W SPRAY NOZZLE TIP

WITTKÉ

- LS6205222W G.B. PIVOT SPRING
- LS6206692W CONVEYOR BELT
- LS6206815W L54" DR CARBIDE RUNNER
- LS6206818SWP DR RUNNER W/SINGLE ROW TAIL
- LS6206818W S. ROW CARBIDE RUNNER
- LS6207030W GUTTER BROOM PIVOT BOLT
- LS6207043W RUBBER MOUNT TINES
- LS6207076W MOUNT BROOM POST
- LS8500004 DOOR LATCH

BE SURE TO CHECK OUT OUR SELECTION OF BROOMS BEGINNING ON PAGE 83 OF THIS CATALOG.

Precision Balanced Parts



Lacal Equipment, Inc. has been manufacturing and distributing high-quality replacement parts for over 30 years. When you order from Lacal, you receive parts that are made in the USA by knowledgeable machinists and welders under strict quality control. Precision parts – like street sweeper and leaf collector impellers as well as flail axe and flail mower cuttershafts – are manufactured and DYNAMICALLY BALANCED right in our own facility. With Lacal, you can rest assured that these parts not only fit your machine, but will also perform as expected.



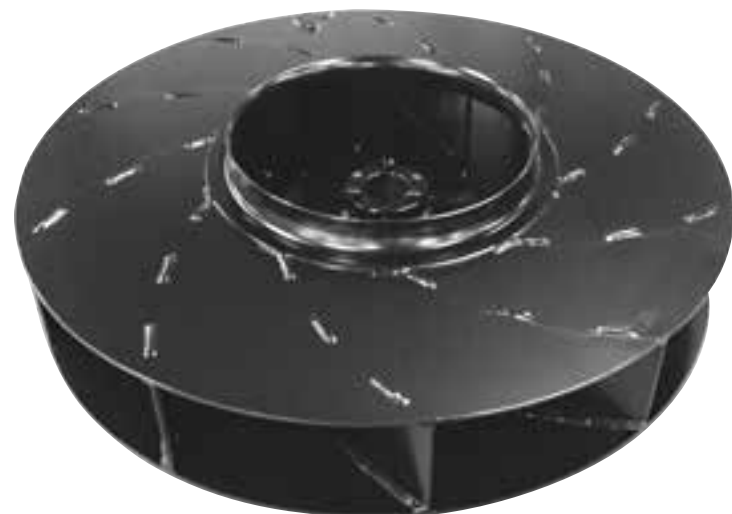
GET MORE INFORMATION: CALL 800.543.6161 • EMAIL SALES@LACAL.COM

ALL PARTS ARE GUARANTEED TO MEET WITH YOUR APPROVAL. Lacal Equipment is in no way implying that any of our products are original equipment parts. All original equipment manufacturer's names, drawings, colors and part numbers are used for identification purposes only.

This Is Just A Sample of Our Most Popular Parts • Additional Parts Available



LS1081469



LS523707



LS5011165

Impellers

ELGIN

LS1031978	CROSSWIND "G" & "GE" IMPELLER
LS1054513	CROSSWIND "J" IMPELLER
LS1058387	GEOVAC IMPELLER W/HUB
LS1059047	CROSSWIND "G" & "GE" IMPELLER, PLAIN
LS1061907	CROSSWIND "G" & "GE" IMPELLER, COATED
LS1064431	WHIRLWIND MV BALANCED IMPELLER
LS1078765	CROSSWIND "J" IMPELLER
LS1081469	WHIRLWIND MV BALANCED IMPELLER
LS5715203	AIR CUB 30" REVERSE CURVE FAN W/BUSHING

SCHWARZE

LS520673	A7000 STANDARD IMPELLER
LS520804	343/344 STANDARD IMPELLER, 28"
LS521328	340/347/348 STANDARD IMPELLER, 30"
LS521951	347/348/A3000 STANDARD IMPELLER
LS522319	347/348/A4000 WHISPER IMPELLER, 30"
LS522339T	A7000/A8000 WHISPER IMPELLER WITH BUSHING
LS522372	347 WHISPER REVERSE CURVE IMPELLER, 28"
LS523214	S333-SE IMPELLER, 28"
LS523314	A7000 REVERSE CURVE IMPELLER, 32.75" X 5"
LS523707	A7000/A8000/A9000 IMPELLER, 32.75" X 5"

TYMCO

LS500765	600 PLAIN BLOWER KIT, UNASSEMBLED
LS500765A	600 PLAIN BLOWER KIT, ASSEMBLED
LS501513	600 COATED BLOWER KIT, UNASSEMBLED
LS501513A	600 COATED BLOWER KIT, ASSEMBLED
LS5010933	600 PLAIN IMPELLER, 6-FIN
LS5010206	210/300/350 PLAIN IMPELLER, 5-FIN
LS5011165	210/300/350 PLAIN IMPELLER, 6-FIN
LS5011625	600 COATED IMPELLER, 6-FIN
LS5011626	210/300/350 COATED IMPELLER, 6-FIN
LS5011627	210/300/350 COATED IMPELLER, 5-FIN
LS5017256	210/435 SRE COATED IMPELLER, 6-FIN
LS8010313	500X/600 FHD COATED IMPELLER

GET MORE INFORMATION: CALL 800.543.6161 • EMAIL SALES@LACAL.COM

ALL PARTS ARE GUARANTEED TO MEET WITH YOUR APPROVAL. Lecal Equipment is in no way implying that any of our products are original equipment parts. All original equipment manufacturer's names, drawings, colors and part numbers are used for identification purposes only.

This Is Just A Sample of Our Most Popular Parts • Additional Parts Available



LS500620

Curtain Sets

ELGIN

LS0710150	CROSSWIND J CURTAIN SET
LS0710151	CROSSWIND J-BAH CURTAIN SET
LS0710152	CROSSWIND J-FSX CURTAIN SET
LS0720015	CROSSWIND G/GE CURTAIN SET
LS0720016	CROSSWIND G/GE-BAH CURTAIN SET

MURPHY/SCHWARZE

LS29320	A7000/A8000 STANDARD HEAD W/QUICK DISCONNECT
LS29333	343/347/348 CURTAIN SET WITH HARDWARE
LS29336	A4000 PUNCHED CURTAIN SET WITH HARDWARE
LS29338	A7000/A8000/A9000 POWER HEAD CURTAIN SET WITH HARDWARE
LS100053	343/347/348 CURTAIN SET WITH HARDWARE
LS100538	A6000/A7000 STANDARD ABO HEAD PUNCHED CURTAIN SET
LS130285	A7000 STANDARD OR ADJUSTABLE ORIFICE HEAD WITHOUT HARDWARE
LS130445	A4000 PUNCHED CURTAIN SET WITHOUT HARDWARE

TYMCO

LS500464	600 CURTAIN SET WITH HARDWARE, OLD STYLE
LS500619	210 CURTAIN SET WITH HARDWARE, OLD STYLE
LS500620	210/435 CURTAIN SET WITH HARDWARE
LS501020	500X STD./600 CURTAIN SET WITH HARDWARE
LS502008	HSP CURTAIN SET WITH HARDWARE, 14" TUBE
LS502609	500X/600 BAH CURTAIN SET WITH HARDWARE
LS503234	HSP CURTAIN SET WITH HARDWARE, 10" TUBE
LS503356	600 DST STD. CURTAIN SET WITH HARDWARE
LS503357	210DC/DST4 BOXED CURTAIN SET WITH HARDWARE
LS503899	600 BAH/DST6 CURTAIN SET WITH HARDWARE

ALSO AVAILABLE FOR TYMCO MODELS:

LS507479	210 FORD CURTAIN SET
----------	----------------------

Elgin Conveyor Belts

LS1009989	PELICAN CONVEYOR BELT, 48" X 13'	LS1082386	PELICAN NP/NS/NR CONVEYOR BELT, 48" X 13.08'
LS1034720	EAGLE CONVEYOR BELT, 48 X 18'	LS1082387	PELICAN P/SE/PW CONVEYOR BELT, 48" X 13.58'
LS1049473	EAGLE CONVEYOR BELT, 48 X 18'	LS1082388	EAGLE E/F/FW CHEVRON PREPUNCHED CONVEYOR BELT, 48" X 18'
LS1049474	PELICAN CONVEYOR BELT, 48" X 13'	LS1113693	EAGLE CONVEYOR BELT, 48 X 18'
LS1078909	PELICAN CONVEYOR BELT, 48" X 13'		
LS1078910	EAGLE CONVEYOR BELT, 48" X 18'		

GET MORE INFORMATION: CALL 800.543.6161 • EMAIL SALES@LACAL.COM

ALL PARTS ARE GUARANTEED TO MEET WITH YOUR APPROVAL. Lecal Equipment is in no way implying that any of our products are original equipment parts. All original equipment manufacturer's names, drawings, colors and part numbers are used for identification purposes only.

This Is Just A Sample of Our Most Popular Parts • Additional Parts Available



LS505139



LS1043801



LSW809995



LS520829

Dirt Hoppers

ELGIN

- LS1043801 PELICAN DIRT HOPPER WITH GATE
- LS1059808 EAGLE DIRT HOPPER
- LS5713260 BROOM BEAR DIRT HOPPER WITH GATE

MOBIL

- LSW800686 M9 DIRT HOPPER
- LSW809995 M9B DIRT HOPPER, 1-PC GATE
- LSW811198 M9D DIRT HOPPER, NO WINDOW
- LSW811421 M9D DIRT HOPPER WITH WINDOW

SCHWARZE

- LS520829 347/348 DIRT HOPPER
- LS522595 S347/S348 DIRT HOPPER
- LS620554 4000/M4000 LH DUMP DIRT HOPPER
- LS620869 M5000 RH DUMP DIRT HOPPER
- LS650072 M6000 DIRT HOPPER, 5-YD.

TYMCO

- LS500056 210 DIRT HOPPER
- LS505139 435 DIRT HOPPER

GET MORE INFORMATION: CALL 800.543.6161 • EMAIL SALES@LACAL.COM

ALL PARTS ARE GUARANTEED TO MEET WITH YOUR APPROVAL. Lecal Equipment is in no way implying that any of our products are original equipment parts. All original equipment manufacturer's names, drawings, colors and part numbers are used for identification purposes only.

This Is Just A Sample of Our Most Popular Parts • Additional Parts Available



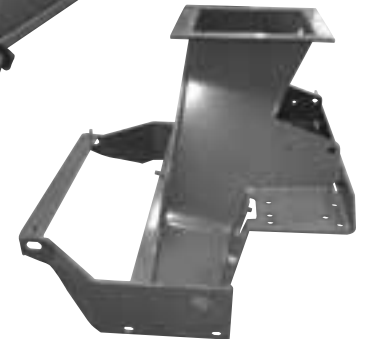
LS300077



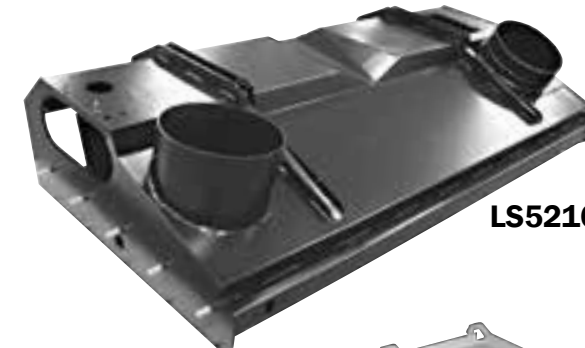
LS522718



LS504217



LS1063055



LS521645



LS1020313



LS505265

Pickup Heads

ELGIN

- LS1020313 WHIRLWIND/II/L PICKUP HEAD
- LS1031176 CROSSWIND B PICKUP HEAD
- LS1043131 CROSSWIND G/GE BAH PICKUP HEAD
- LS1043145 CROSSWIND G/GE PICKUP HEAD
- LS1059056 CROSSWIND J PICKUP HEAD (UP TO S/N J0294)
- LS1059115 CROSSWIND J BAH PICKUP HEAD
- LS1063055 WHIRLWIND MV NOZZLE PICKUP HEAD
- LS1065651 CROSSWIND J PICKUP HEAD (START S/N J0295)
- LS1067369 CROSSWIND J BAH PICKUP HEAD
- LS5719421 AIR CUB PICKUP HEAD

SCHWARZE

- LS300077 A7000 ADJUSTABLE BLAST ORIFICE PICKUP HEAD ASSEMBLY
- LS300077W A7000 ADJUSTABLE BLAST ORIFICE BARE PICKUP HEAD
- LS520014 A7000 FIXED BLAST ORIFICE BARE PICKUP HEAD
- LS520940 S333/340/344/347/348 BARE PICKUP HEAD
- LS521645 A7000 POWERHOOD PICKUP HEAD
- LS521948 A4000 BARE PICKUP HEAD
- LS522718 A7000 FIXED BLAST ORIFICE BARE PICKUP HEAD WITH QUICK DISCONNECT FLANGES

TYMCO

- LS501286 210/435 BARE PICKUP HEAD WITH ADJUSTABLE BLAST ORIFICE BRACKET
- LS501393 600 BARE PICKUP HEAD
- LS502469 600 BAH BARE PICKUP HEAD
- LS503232 600 HSP PICKUP HEAD ASSEMBLY
- LS504217 600 BAH BARE PICKUP HEAD
- LS505265 210/435 BARE PICKUP HEAD WITH ADJUSTABLE BLAST ORIFICE BRACKET
- LS505732 DST4 PICKUP HEAD ASSEMBLY
- LS505925 500X BAH PICKUP HEAD
- LS506769 HSP PICKUP HEAD SUBASSEMBLY

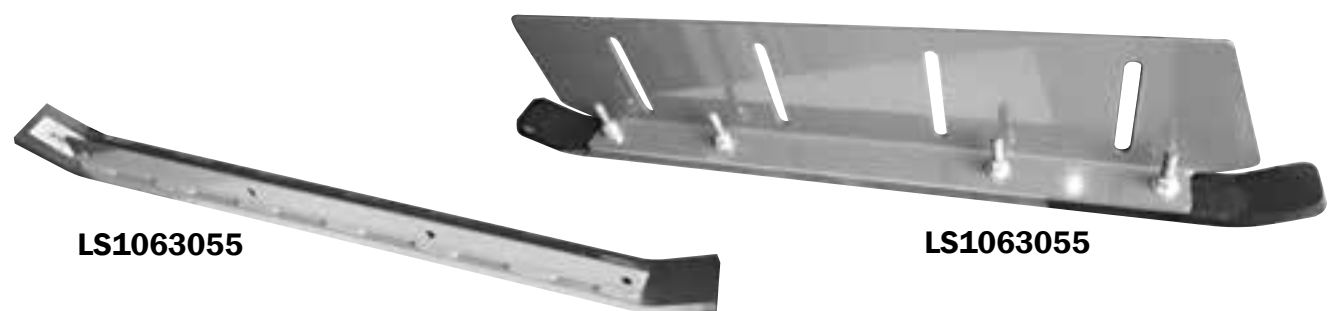
GET MORE INFORMATION: CALL 800.543.6161 • EMAIL SALES@LACAL.COM

ALL PARTS ARE GUARANTEED TO MEET WITH YOUR APPROVAL. Lecal Equipment is in no way implying that any of our products are original equipment parts. All original equipment manufacturer's names, drawings, colors and part numbers are used for identification purposes only.

This Is Just A Sample of Our Most Popular Parts • Additional Parts Available

Carbide Drag Shoes

ALLIANZ	ELGIN	SCHWARZE	TENNANT
ATHEY / MOBIL	JOHNSTON	SCORPION	TYMCO
BROOM BADGER	MR. AIR/MASCO	SKAVIN'JER	VICTORY
BROOM BEAR	NITE HAWK	STEWART AMOS	WITTKÉ
CHALLENGER	PYTHON	SWEEPRITE	AND MORE!



Elevator Frames

ELGIN	
LS1034133	EAGLE CONVEYOR FRAME
LS1062005	PELICAN CONVEYOR FRAME
LS1074755	PELICAN NP/NS CONVEYOR FRAME
LS1078011	BROOM BEAR STANDARD ELEVATOR FRAME
LS5713761	BROOM BEAR STD. ELEVATOR FRAME W/LINERS
MOBIL	
LSA402649	H10 LIGHTFOOT SPRING SHOE ELEVATOR FRAME
LSA402666	H10 STANDARD SHOE ELEVATOR FRAME
LSA805044	M8A, M9A/B/D/E STD. SHOE ELEVATOR FRAME, 5-YD.
LSA805045	M8A, M9A LIGHTFOOT SPRING SHOE ELEVATOR FRAME, 5-YD.
LSA88219	M9 FIXED SHAFT ELEVATOR FRAME
LSW804395	M8A STANDARD ELEVATOR FRAME, 4-YD.

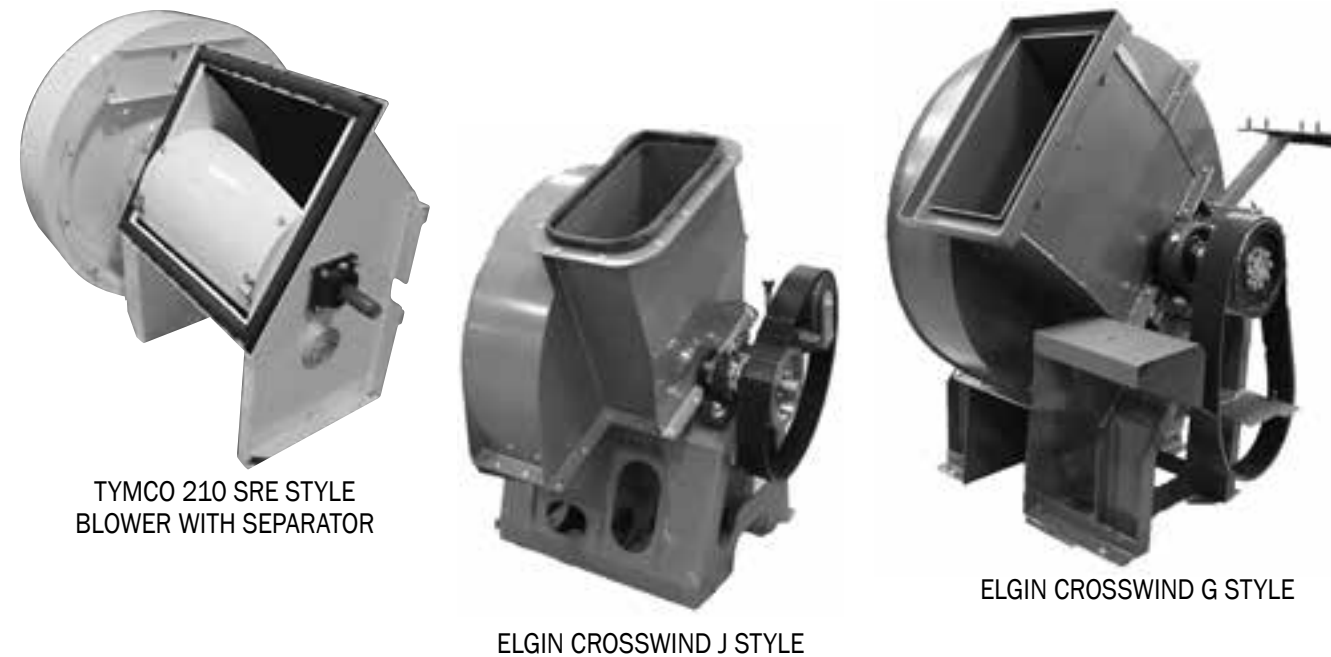


GET MORE INFORMATION: CALL 800.543.6161 • EMAIL SALES@LACAL.COM

ALL PARTS ARE GUARANTEED TO MEET WITH YOUR APPROVAL. Lecal Equipment is in no way implying that any of our products are original equipment parts. All original equipment manufacturer's names, drawings, colors and part numbers are used for identification purposes only.

This Is Just A Sample of Our Most Popular Parts • Additional Parts Available

Blower Housing & Impeller Assemblies



▶▶▶ SAVE YOUR TIME AND YOUR MONEY ◀◀◀

Dirt Hopper Assemblies



GET MORE INFORMATION: CALL 800.543.6161 • EMAIL SALES@LACAL.COM

ALL PARTS ARE GUARANTEED TO MEET WITH YOUR APPROVAL. Lecal Equipment is in no way implying that any of our products are original equipment parts. All original equipment manufacturer's names, drawings, colors and part numbers are used for identification purposes only.

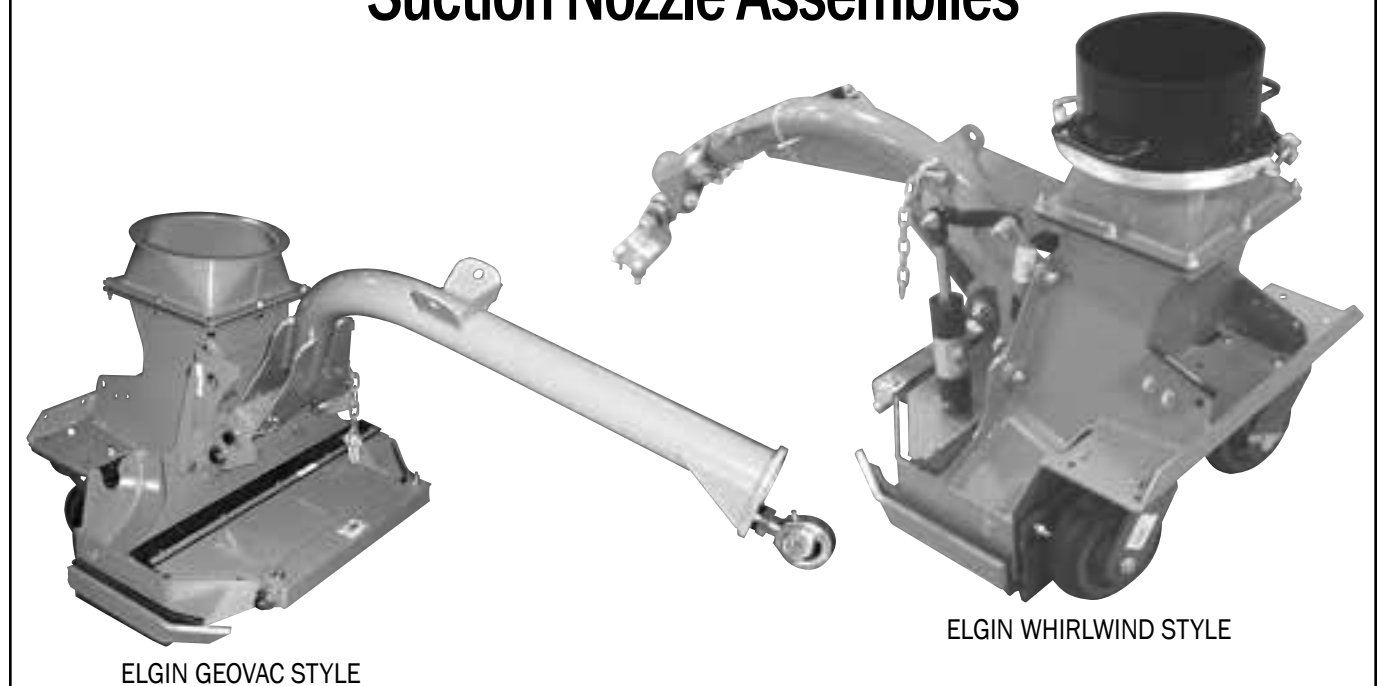
This Is Just A Sample of Our Most Popular Parts • Additional Parts Available

Pickup Head Assemblies



This Is Just A Sample of Our Most Popular Parts • Additional Parts Available

Suction Nozzle Assemblies



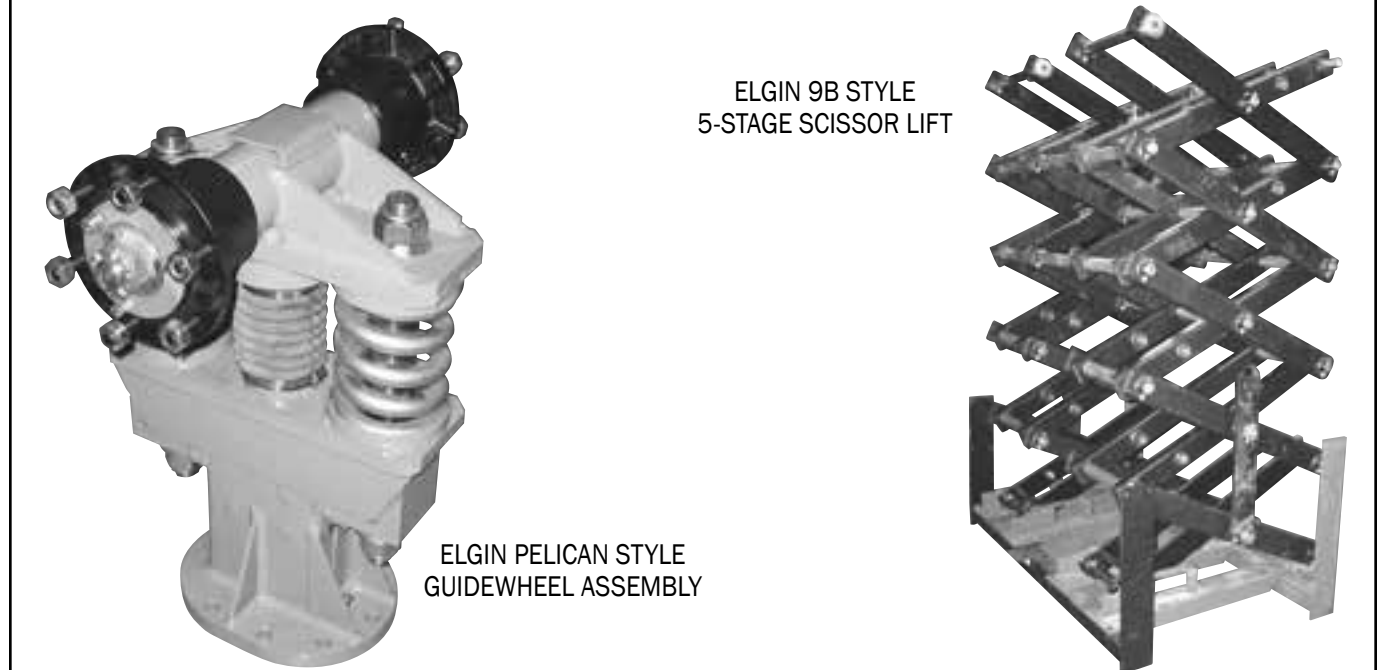
BUY PREASSEMBLED FROM LACAL

Elevator Frame Assemblies



SAVE YOUR TIME AND YOUR MONEY

Guide Wheel & Scissor Lift Assemblies



GET MORE INFORMATION: CALL 800.543.6161 • EMAIL SALES@LACAL.COM

GET MORE INFORMATION: CALL 800.543.6161 • EMAIL SALES@LACAL.COM

ALL PARTS ARE GUARANTEED TO MEET WITH YOUR APPROVAL. Lacal Equipment is in no way implying that any of our products are original equipment parts. All original equipment manufacturer's names, drawings, colors and part numbers are used for identification purposes only.

ALL PARTS ARE GUARANTEED TO MEET WITH YOUR APPROVAL. Lacal Equipment is in no way implying that any of our products are original equipment parts. All original equipment manufacturer's names, drawings, colors and part numbers are used for identification purposes only.

This Is Just A Sample of Our Most Popular Parts • Additional Parts Available

Gutter Broom Assemblies



SCHWARZE M6000 STYLE

TYMCO 600 STYLE

MOBIL STYLE

BUY PREASSEMBLED FROM LACAL

Curtain Sets



AVAILABLE FOR THESE MODELS:

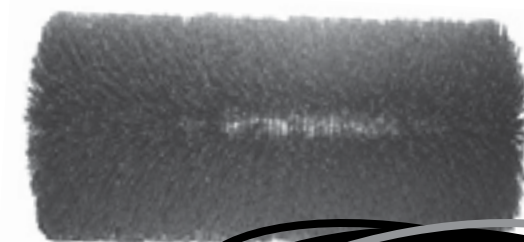
ELGIN		SCHWARZE	
AIR CUB		A4000	
CROSSWIND B		A7000	
CROSSWIND G		A8000	
CROSSWIND GE / GE-BAH		A9000	
CROSSWIND J / J-BAH		S333	
GEOVAC		S340	
WHIRLWIND II		S3444	
WHIRLWIND L		S346	
WHIRLWIND MV		S347	
		S348	
JOHNSTON		TYMCO	
605		210	
VT650		435	
VT655		500X	
3000		600 / 600-BAH / 600-HSP	
4000		FHD	
NITE HAWK			
OSPREY			
RAPTOR			

GET MORE INFORMATION: CALL 800.543.6161 • EMAIL SALES@LACAL.COM

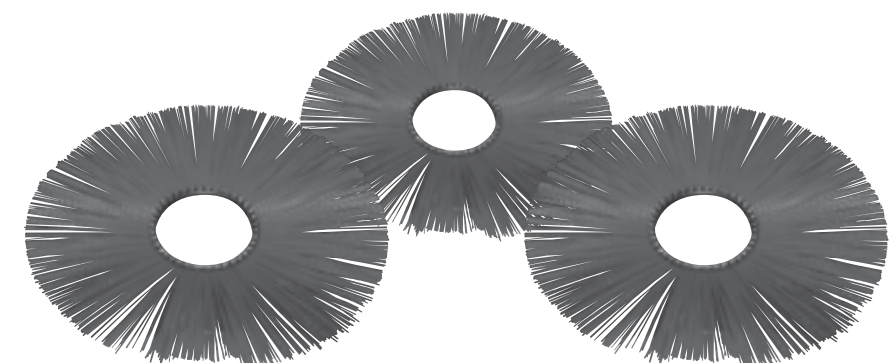
ALL PARTS ARE GUARANTEED TO MEET WITH YOUR APPROVAL. LACAL Equipment is in no way implying that any of our products are original equipment parts. All original equipment manufacturer's names, drawings, colors and part numbers are used for identification purposes only.

This Is Just A Sample of Our Most Popular Parts • Additional Parts Available

Brooms



THE HIGH QUALITY
BIG "RED" BROOMS
YOU KNOW & TRUST



- ✓ Gutter Brooms
- ✓ Strip Brooms
- ✓ Tube Brooms
- ✓ Refillable Blocks
 - Plastic
 - Aluminum
- ✓ Road Broom Wafers
 - Flat / Convoluted
 - Poly / Steel / Combo
- ✓ Bulk Wire in 100-lb. boxes

GET MORE INFORMATION: CALL 800.543.6161 • EMAIL SALES@LACAL.COM

ALL PARTS ARE GUARANTEED TO MEET WITH YOUR APPROVAL. LACAL Equipment is in no way implying that any of our products are original equipment parts. All original equipment manufacturer's names, drawings, colors and part numbers are used for identification purposes only.

This Is Just A Sample of Our Most Popular Parts • Additional Parts Available

Brooms by Make & Model

ELGIN	
BROOM BADGER	
LB122	COMBO TUBE BROOM, 58"
LB30556	STEEL GUTTER BROOM, 5-SEGMENT
LB412	ALL-PRO CENTER SWEEP MANDREL, 58"
LB458	ALL-PRO POLY STRIP BROOM, 58" (18-PCS.)
LB504	POLYTUBE BROOM, 58"
LB554	STEEL GUTTER BROOM, 4-SEGMENT
LB558	POLY DOUBLE WRAP TUBE BROOM, 58"
LB558	ALL-PRO COMBO STRIP BROOM, 58" (18-PCS.)
BROOM BEAR	
LB122	COMBO TUBE BROOM, 58"
LB137	POLYTUBE BROOM, 60"
LB138	COMBO TUBE BROOM, 60"
LB173	HD POLY TUBE BROOM, 60"
LB30556	STEEL GUTTER BROOM, 5-SEGMENT
LB30721	HD STEEL GUTTER BROOM, 5-SEGMENT
LB411	ALL-PRO CENTER SWEEP MANDREL, 60"
LB412	ALL-PRO CENTER SWEEP MANDREL, 58"
LB458	ALL-PRO POLY STRIP BROOM, 58" (18-PCS.)
LB460	ALL-PRO POLY STRIP BROOM, 60" (18-PCS.)
LB504	POLYTUBE BROOM, 58"
LB558	POLY DOUBLE WRAP TUBE BROOM, 58"
LB558	ALL-PRO COMBO STRIP BROOM, 58" (18-PCS.)
LB560	ALL-PRO COMBO STRIP BROOM, 60" (18-PCS.)
LB619	POLY GUTTER BROOM, 5-SEGMENT
CROSSWIND	
LB30556	STEEL GUTTER BROOM, 5-SEGMENT
LB30721	HD STEEL GUTTER BROOM, 5-SEGMENT
LB531	POLYTUBE BROOM, 78"
LB532	COMBO TUBE BROOM, 78"
LB599	STEEL GUTTER BROOM, 2-SEGMENT
LB619	POLY GUTTER BROOM, 5-SEGMENT
LB977	POLY GUTTER BROOM, 2-SEGMENT
EAGLE	
LB137	POLYTUBE BROOM, 60"

ELGIN	
EAGLE	
LB138	COMBO TUBE BROOM, 60"
LB173	HD POLY TUBE BROOM, 60"
LB30556	STEEL GUTTER BROOM, 5-SEGMENT
LB30721	HD STEEL GUTTER BROOM, 5-SEGMENT
LB411	ALL-PRO CENTER SWEEP MANDREL, 60"
LB460	ALL-PRO POLY STRIP BROOM, 60" (18-PCS.)
LB560	ALL-PRO COMBO STRIP BROOM, 60" (18-PCS.)
LB619	POLY GUTTER BROOM, 5-SEGMENT
MEGAWIND / WHIRLWIND	
LB133	COMBO TUBE BROOM, 60"
LB134	POLYTUBE BROOM, 60"
PELICAN	
LB135	POLYTUBE BROOM, 66"
LB136	COMBO TUBE BROOM, 66"
LB153	HD POLY TUBE BROOM, 66"
LB410	ALL-PRO CENTER SWEEP MANDREL, 66"
LB466	ALL-PRO POLY STRIP BROOM, 66" (18-PCS.)
LB554	STEEL GUTTER BROOM, 4-SEGMENT
LB557	HD STEEL GUTTER BROOM, 4-SEGMENT
LB566	ALL-PRO COMBO STRIP BROOM, 66" (18-PCS.)
LB646	POLY GUTTER BROOM, 4-SEGMENT
LB88153	HD STEEL GUTTER BROOM, 5-SEGMENT, GAYLORD
ROAD WIZARD	
LB137	POLYTUBE BROOM, 60"
LB138	COMBO TUBE BROOM, 60"
LB173	HD POLY TUBE BROOM, 60"
LB30556	STEEL GUTTER BROOM, 5-SEGMENT
LB30721	HD STEEL GUTTER BROOM, 5-SEGMENT
LB411	ALL-PRO CENTER SWEEP MANDREL, 60"
LB460	ALL-PRO POLY STRIP BROOM, 60" (18-PCS.)
LB560	ALL-PRO COMBO STRIP BROOM, 60" (18-PCS.)
LB619	POLY GUTTER BROOM, 5-SEGMENT
WHIRLWIND MV	
LB166	POLYTUBE BROOM, 54"
LB167	COMBO TUBE BROOM, 54"
LB599	STEEL GUTTER BROOM, 2-SEGMENT
LB977	POLY GUTTER BROOM, 2-SEGMENT

JOHNSTON/GLOBAL	
605	
LB220	POLYTUBE BROOM, 50.5"
LB221	COMBO TUBE BROOM, 50.5"
LB599	STEEL GUTTER BROOM, 2-SEGMENT
LB977	POLY GUTTER BROOM, 2-SEGMENT
650	
LB224	HD COMBO TUBE BROOM, 51", X-DRIVE
LB227	HD POLY TUBE BROOM, 51", X-DRIVE
LB599	STEEL GUTTER BROOM, 2-SEGMENT
LB977	POLY GUTTER BROOM, 2-SEGMENT
651	
LB224	HD COMBO TUBE BROOM, 51", X-DRIVE
LB227	HD POLY TUBE BROOM, 51", X-DRIVE
LB30911	STEEL GUTTER BROOM, 4-ROW, 1-PC.
3000/4000	
LB205	POLYTUBE BROOM, 56.5"
LB561	WIRE GUTTER BROOM, 4-SEGMENT
LB562	WIRE GUTTER BROOM, 12-SEGMENT
ES351	
LB561	STEEL GUTTER BROOM, 4-SEGMENT
LB647	POLY GUTTER BROOM, 4-SEGMENT
MS350	
LB400	POLYTUBE BROOM WITH END PLATE, 58"
RT655	
LB561	STEEL GUTTER BROOM, 4-SEGMENT
LB647	POLY GUTTER BROOM, 4-SEGMENT
MOBIL	
ALL MODELS	
LB122	COMBO TUBE BROOM, 58"
LB30558	DOUBLE WRAP POLYTUBE BROOM, 58"
LB412	ALL-PRO CENTER SWEEP MANDREL, 58"
LB458	ALL-PRO POLY STRIP BROOM, 58" (18-PCS.)
LB504	POLYTUBE BROOM, 58"
LB558	ALL-PRO COMBO STRIP BROOM 58" (18-PCS.)
LB559	STEEL GUTTER BROOM, 4-SEGMENT

GET MORE INFORMATION: CALL 800.543.6161 • EMAIL SALES@LACAL.COM

ALL PARTS ARE GUARANTEED TO MEET WITH YOUR APPROVAL. Lecal Equipment is in no way implying that any of our products are original equipment parts. All original equipment manufacturer's names, drawings, colors and part numbers are used for identification purposes only.

This Is Just A Sample of Our Most Popular Parts • Additional Parts Available

Brooms by Make & Model

MOBIL	
ALL MODELS	
LB560	HD STEEL GUTTER BROOM, 4-SEGMENT
LB601	POLY GUTTER BROOM, 4-SEGMENT
NITEHAWK	
LB599	STEEL GUTTER BROOM, 2-SEGMENT
LB977	POLY GUTTER BROOM, 2-SEGMENT
SCHWARZE	
A4000	
LB553	WIRE GUTTER BROOM, 22", 4-SEGMENT
A7000 / A8000	
LB30556	STEEL GUTTER BROOM, 5-SEGMENT
LB619	POLY GUTTER BROOM, 5-SEGMENT
LB721	HD WIRE GUTTER BROOM, 5-SEGMENT
LB88153	HD STEEL GUTTER BROOM, 5-SEGMENT, GAYLORD
M5000 / M6000	
LB122	COMBO TUBE BROOM, 58"
LB30556	STEEL GUTTER BROOM, 5-SEGMENT
LB412	ALL-PRO CENTER SWEEP MANDREL, 58"

SCHWARZE	
M5000 / M6000	
LB458	ALL-PRO POLY STRIP BROOM, 58" (18-PCS.)
LB504	POLYTUBE BROOM, 58"
LB558	ALL-PRO COMBO STRIP BROOM, 58" (18-PCS.)
LB619	POLY GUTTER BROOM, 5-SEGMENT
LB721	HD WIRE GUTTER BROOM, 5-SEGMENT
LB88153	HD STEEL GUTTER BROOM, 5-SEGMENT, GAYLORD
STEWART-AMOS	
STARFIRE S-4C / S-4XL / S-6S / S-6T	
LB122	COMBO TUBE BROOM, 58"
LB30558	DOUBLE WRAP POLYTUBE BROOM, 58"
LB408	ALL-PRO MANDREL WITH END PLATE, 58"
LB412	ALL-PRO CENTER SWEEP MANDREL, 58"
LB458	ALL-PRO POLY STRIP BROOM, 58" (18-PCS.)
LB504	POLYTUBE BROOM, 58"
LB558	ALL-PRO COMBO STRIP BROOM, 58" (18-PCS.)

TENNANT	
CENTURION	
LB168	POLYTUBE BROOM WITH HARDWARE, 68"
LB30556	STEEL GUTTER BROOM, 5-SEGMENT
SENTINEL 830	
LB30830	POLYTUBE BROOM, 50"
LB39880	COMBO GUTTER BROOM, 1-SEGMENT, 32"
TYMCO	
210	
LB080	SLOPED POLY WAFER, 10" X 36"
LB553	WIRE GUTTER BROOM, 22", 4-SEGMENT
LB646	POLY GUTTER BROOM, 4-SEGMENT
435	
LB554	STEEL GUTTER BROOM, 4-SEGMENT
LB646	POLY GUTTER BROOM, 4-SEGMENT
600 BAH	
LB140	POLYTUBE BROOM, 79"
LB559	STEEL GUTTER BROOM, 4-SEGMENT
LB601	POLY GUTTER BROOM, 4-SEGMENT



Broom Wafers

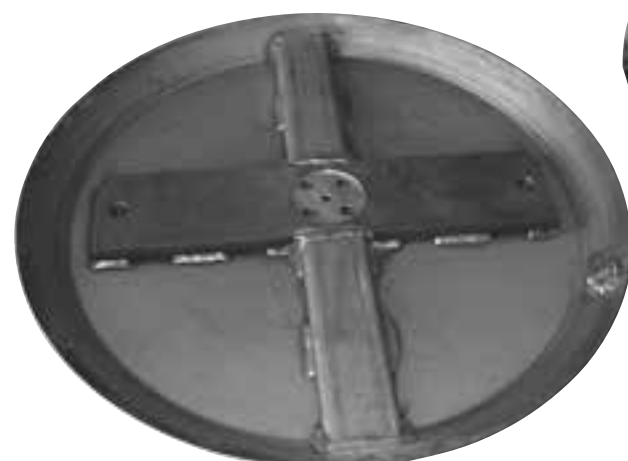
ITEM#	SPECS (I.D. X O.D.)	DESCRIPTION
LB334	6-3/8" X 21"	CONVOLUTED COMBO WAFER
LB327	6-3/8" X 21"	CONVOLUTED POLY WAFER
LB328	6-3/8" X 21"	CONVOLUTED WIRE WAFER
LB329	6-3/8" X 21"	FLAT POLY WAFER
LB311	6-3/8" X 24"	CONVOLUTED COMBO WAFER
LB323	6-3/8" X 24"	CONVOLUTED POLY WAFER
LB326	6-3/8" X 24"	CONVOLUTED WIRE WAFER
LB325	6-3/8" X 24"	FLAT POLY WAFER
LB350	7-1/8" X 24"	FLAT POLY WAFER
LB351	7-1/8" X 24"	FLAT WIRE WAFER
LB390	8" X 26"	CONVOLUTED COMBO WAFER
LB388	8" X 26"	CONVOLUTED POLY WAFER

ITEM#	SPECS (I.D. X O.D.)	DESCRIPTION
LB389	8" X 26"	CONVOLUTED WIRE WAFER
LB229	10" X 27"	CONVOLUTED POLY WAFER
LB33228	10" X 27"	CONVOLUTED WIRE WAFER
LB318	10" X 27"	FLAT COMBO WAFER
LB347	10" X 27"	FLAT POLY WAFER
LB374	10" X 27"	FLAT WIRE WAFER
LB314	10" X 32"	CONVOLUTED COMBO WAFER
LB317	10" X 32"	CONVOLUTED POLY WAFER
LB316	10" X 32"	CONVOLUTED WIRE WAFER
LB313	10" X 32"	FLAT COMBO WAFER
LB041	10" X 32"	FLAT POLY WAFER
LB315	10" X 32"	FLAT WIRE WAFER
LB322	10" X 36"	CONVOLUTED POLY WAFER
LB324	10" X 36"	CONVOLUTED WIRE WAFER
LB050	10" X 36"	FLAT POLY WAFER
LB320	10" X 36"	FLAT WIRE WAFER
LB080	10" X 36"	SLOPED POLY WAFER
LB080	10" X 36"	SLOPED POLY WAFER

GET MORE INFORMATION: CALL 800.543.6161 • EMAIL SALES@LACAL.COM

ALL PARTS ARE GUARANTEED TO MEET WITH YOUR APPROVAL. Lecal Equipment is in no way implying that any of our products are original equipment parts. All original equipment manufacturer's names, drawings, colors and part numbers are used for identification purposes only.

This Is Just A Sample of Our Most Popular Parts • Additional Parts Available



LM02960612



LM02965538

LM02981757

LM02969980

LM02976761

ALAMO

LM000327	BEARING
LM000399	CUTTERSHAFT BEARING
LM000702	V-BELTS, 2-PC. MATCHED SET
LM001007	CYLINDER PIN W/CLIP
LM001450	CROSS & BEARING KIT W/RET. RINGS
LM001461	PTO CLUTCH
LM001494	FILTER SCREEN
LM002367	SPACER
LM00723892A	MOUNTING PLATE
LM00723892B	STIFFENER BAR
LM00723892C	SKID PLATE
LM00747900	COLLAR LOCKNUT, GR "C", ZINC
LM00750787D	BLADE
LM00750788D	BLADE
LM00752971	BLADE SET (2 X LM00750787D)
LM00752972	BLADE SET (2 X LM00750788D)
LM00753841	CW BLADE
LM00753842	CCW BLADE
LM00754093	HYDRO 15 CENTER SEC BLADE BAR
LM00755021A	PULL ROD
LM00755031	RH/LH RETAINING ARM
LM00755119	ASSEMBLY, CHAINGUARD, REAR WING, DOUBLE
LM00755556	CHAIN GUARD, LEFT WING FRT. ASSEMBLY
LM00755557	CHAIN GUARD, RIGHT WING FRT. ASSEMBLY
LM00756875	HOLD DOWN BAR FLAP
LM00758833	BUSHING WELDMENT
LM00759303	LEVEL ROD SHORT WELDMENT
LM00776618	LH/RH WING SKID SHOE
LM00780882	CCW FAN BLADE, 22-1/2" CTR-TIP
LM00785733	FR. CENTER GB SHIELD WELDMENT
LM02778200	BEARING CUP & CONE KIT
LM02870900	SPINDLE NUT, 1-3/4" - 12"
LM02873200	SPACER
LM02885800	REAR CLAMP BAR
LM02956831	FRONT TURNING ARM ASSEMBLY

ALAMO

LM02957497	WELDMENT-LINKAGE ARM
LM02958577	BLADE BAR, 72"
LM02958644	HITCH POST W/FITTINGS
LM02959089	WELDMENT COVER HOUSING (STD)
LM02959282	SQUARE KEY
LM02959746	SWING STOP
LM02960612	STUMP JUMPER PAN WELDMENT, 72"
LM02963037	FRONT SWING BOOM STOP
LM02963093	PIN WELDMENT
LM02964139	PIN
LM02964457	50" BLADE CARRIER KIT
LM02965223	SOLENOID VALVE & COIL ASSEMBLY
LM02965538	MAIN PIN WELDMENT
LM02967171	REAR TURN WELDMENT
LM02967775	DOOR WELDMENT
LM02968822	BRAHMA SIDE-MOUNT MOWER
LM02969232	MIDDLE LEAF BLADE BAR
LM02969233	BOTTOM LEAF BLADE BAR
LM02969980	WELDMENT DIPPER PIN THREADED
LM02970302	HITCH POST WELDMENT
LM02971387	TOP LEAF BLADE BAR
LM02971703	PIN WELDMENT
LM02971754	CHROME PIN, 1-1/2" X 8-5/16"
LM02971755	CHROME PIN, 1-1/2" X 9-9/16"
LM02971963	WELDMENT DOOR
LM02972723	DOOR LOCK WELDMENT
LM02972726	PIN WELDMENT
LM02972816W	MACHINED PIVOT LINK
LM02974343	TUBE, 1-1/4" OD X 9/16" ID X 3-3/4"
LM02976761	ROLLER BEARING BRACKET
LM02978461	WELDMENT PIN 1-1/2" OD X 6-3/4" LG
LM02978525	OUTER WING SKID SHOE
LM02978531	ADJUSTABLE SIDE MOUNT WELDMENT
LM02978992P	STINGRAY ST-15/ST-10 PAR
LM02981757	HITCH POST PIN WELDMENT

GET MORE INFORMATION: CALL 800.543.6161 • EMAIL SALES@LACAL.COM

ALL PARTS ARE GUARANTEED TO MEET WITH YOUR APPROVAL. Lecal Equipment is in no way implying that any of our products are original equipment parts. All original equipment manufacturer's names, drawings, colors and part numbers are used for identification purposes only.

This Is Just A Sample of Our Most Popular Parts • Additional Parts Available



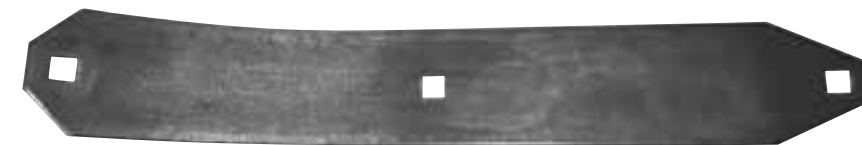
LM02981802



LM702706



LM100759FM



LM103051

ALAMO

LM02981802	WEAR SLIDE, DIPPER, MAVERICK
LM02981984	WELDMENT COVER SWITCHBLADE MOTOR
LM02982913	BOTTOM BLADE BAR LEAF
LM02984572	BLADE BOLTS, NUTS, ROLLPIN KIT
LM02985319	WELDMENT, HITCH POST
LM02986282	EXT. SERV. KNIFE, PKG (200)
LM02986336	BLADE KIT
LM02987649	TURRET PIN WELDMENT
LM02991412	TOP PIN LINK
LM02991620	LH 3-PT. LINK EXT. WELDMENT
LM02991621	RH 3-PT. LINK EXT. WELDMENT
LM02994581	PLATE, SKID SHOE, BATTAXE
LM100054	INPUT SHAFT SEAL
LM100055	OUTPUT SHAFT SEAL
LM100235	SHIM
LM100247	CHAIN, 5/16" EXT. CHAIN X 11 LINKS
LM100286	EXTENSION SHAFT (MOTT)
LM100721	EXT. SHAFT HOUSING 36-1/8"
LM100727	PULLEY IDLER ARM
LM100755	REAR DEFLECTOR W/O HARDWARE
LM100759FM	COARSE CUT FLAIL BLADE
LM100761	FLAIL BLADE CLEVIS
LM100776	EXT. SHAFT HOUSING, 29-9/16"
LM100783	FLAP
LM102172	ROLLER, 48", SHELL ONLY
LM102173	GROUND ROLLER, 74" X 3-1/2" DIA.
LM102174	GROUND ROLLER, 60" X 3-1/2" DIA.
LM102637	EXT. SHAFT HOUSING, 15-7/16"
LM102658	OVERARM ASSEMBLY WELDMENT
LM102670	HARDENED CLEVIS PIN
LM102804	EXT. SHAFT HOUSING, 27-5/8"
LM102874	EXT. SHAFT HOUSING, 21-5/8"
LM102988	CUTTER SHAFT FINE CUT
LM103051	SKID SHOE

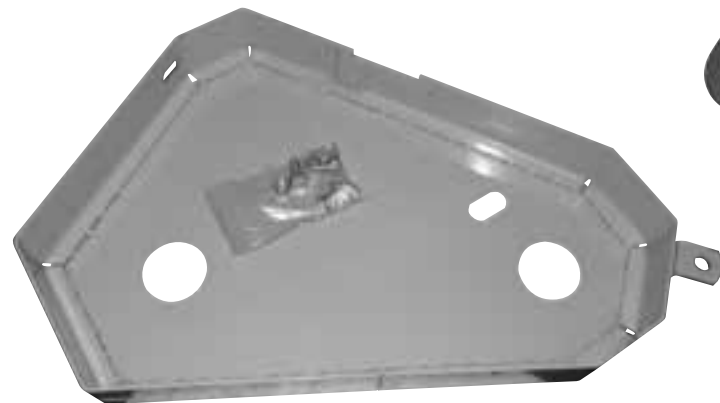
ALAMO

LM103058	MOTOR BRACKET
LM103117	LH FENDER
LM103189SP	KEY, 1/4" X 3/8" X 2" LG.
LM103389	RETURN HOSE (MOTT)
LM104298	GROUND ROLLER, 74" X 6" DIA.
LM104299	GROUND ROLLER, 88" X 6" DIA.
LM104682	FLAP
LM104683	EXT. SHAFT HOUSING, 22-9/16"
LM104844	CHAIN, 10-3/16" LONG
LM104884	FRONT PUMP BRACKET
LM104893	DRIVE SHAFT
LM104938	IDLER ARM WELDMENT
LM105319FM	HD FLAIL BLADE
LM105530	CUTTERSHAFT (EARLY), 62"
LM105697	ROLLER BRACKET
LM105699	SPACER
LM105700	THREADED GROUND ROLLER, 50"
LM105701	THREADED GROUND ROLLER, 62"
LM105702	THREADED GROUND ROLLER, 74"
LM105703	THREADED GROUND ROLLER, 88"
LM105760	CUTTERSHAFT, 60"
LM105761	COARSE CUT CUTTERSHAFT, 74"
LM106151	CUTTERSHAFT, 88"
LM106330	FRONT FOOT GUARD, 88"
LM106743	FINE CUT CUTTERSHAFT, 48"
LM106780	FLAP
LM106781	DEFLECTOR
LM106789	IDLER ARM WELDMENT
LM107123	COARSE CUT CUTTERSHAFT, 62"
LM107124	COARSE CUT CUTTERSHAFT, 74"
LM107125	COARSE CUT CUTTERSHAFT, 88"
LM107128	FINE CUT CUTTERSHAFT, 74"
LM107129	FINE CUT CUTTERSHAFT, 88"
LM107176	KEYED GROUND ROLLER, 62"
LM107177	KEYED GROUND ROLLER, 74"

GET MORE INFORMATION: CALL 800.543.6161 • EMAIL SALES@LACAL.COM

ALL PARTS ARE GUARANTEED TO MEET WITH YOUR APPROVAL. Lecal Equipment is in no way implying that any of our products are original equipment parts. All original equipment manufacturer's names, drawings, colors and part numbers are used for identification purposes only.

This Is Just A Sample of Our Most Popular Parts • Additional Parts Available



LM701845



LM108381



LM701905

ALAMO

LM107178	KEYED GROUND ROLLER, 88"
LM107255	INTERSTATER TOE GUARD, 62"
LM107256	SHD TOE GUARD, 74"
LM107257	INTERSTATER TOE GUARD, 74"
LM107258	SHD TOE GUARD, 88"
LM107259	INTERSTATER TOE GUARD, 88"
LM107390	RH FORWARD ROT. BELT GUARD WELDMENT
LM107524	FOOT GUARD
LM107745	COARSE CUT CUTTERSHAFT, 96"
LM107745A	KNIFE HOLDER
LM107753	REAR TRASH DEFLECTOR, 96"
LM107754	FRONT FOOT GUARD, 96" MOWER
LM107783	ROLLER END W/HEX SHAFT
LM107784	HEX GROUND ROLLER, 62"
LM107785	HEX GROUND ROLLER, 74"
LM107786	HEX GROUND ROLLER, 88"
LM107787	HEX GROUND ROLLER, 96"
LM108381	FORGED BLADE
LM700488	BELT COVER W/HARDWARE
LM700494	IDLER ASSEMBLY
LM700497M	LIFT CHAIN ASSEMBLY
LM700498	REAR TRASH DEFLECTOR W/HARDWARE
LM700524	TRASH DEFLECTOR
LM700592	KNIFE PACKAGE (MOTT)
LM700616	FLAIL KIT
LM700690	1000 COTTER PINS
LM700883	INNER PIVOT PIN W/GREASE ZERK
LM700886	SKID SHOE W/HARDWARE
LM701041	BLADE KIT
LM701043	CLEVIS KIT
LM701044	PIN KIT
LM701401	GROUND ROLLER ASSEMBLY, 74"
LM701402	GROUND ROLLER ASSEMBLY, 88"
LM701405	TIE ROD FOR 74"

ALAMO

LM701406	TIE ROD FOR 88"
LM701614	ROLLER ASSEMBLY W/O BRACKET & NUT, 48"
LM701616	TIE ROD W/ZERK, 48"
LM701617	TIE ROD
LM701618	TIE ROD WELDMENT
LM701650	DEFLECTOR
LM701780	LIFT CHAIN ASSEMBLY
LM701781	LIFT CHAIN ASSEMBLY
LM701845	BELT COVER W/HARDWARE
LM701851	IDLER ARM ASSEMBLY (SHD-RR)
LM701905	OUTBOARD BEARING PLATE
LM701914	SHOE WEAR PLATE ASSEMBLY
LM702255	EXTREME SERVICE KNIFE PKG.
LM702256	KNIFE PACKAGE
LM702673	GEAR BOX
LM702706	OUTER PIVOT ASSEMBLY, W/G.F. & BUSH
LM702749	IDLER PIVOT PIN W/ZERK
LM703260	HEX GROUND ROLLER ASSEMBLY, 88"
LM703261	HEX GROUND ROLLER ASSEMBLY, 74"
LM703263	LH BEARING & BRACKET ASSEMBLY, KEYED
LM703596	ASSEMBLY
LM703601H	HEX ROLLER RETRO ASSEMBLY, 88"
LM703694	BEARING W/SET SCREW
LM703874	KNIFE PACKAGE
LM703977	LH HEX ROLLER BRACKET/BEARING ASSEMBLY
LM703978	RH HEX ROLLER BRACKET/BEARING ASSEMBLY
LM703999A	BLADE KIT
LM704388	ASSEMBLY BEARING REPLACEMENT
LM704390	CUTTER SHAFT BRG. W/SPACER
LMC310112	SKID MOUNT WELDMENT

PART NOT LISTED? CALL 800.543.6161 TODAY! LACAL HAS HUNDREDS OF ADDITIONAL PARTS AVAILABLE FOR ROTARY AND FLAIL MOWERS.

GET MORE INFORMATION: CALL 800.543.6161 • EMAIL SALES@LACAL.COM

ALL PARTS ARE GUARANTEED TO MEET WITH YOUR APPROVAL. Lecal Equipment is in no way implying that any of our products are original equipment parts. All original equipment manufacturer's names, drawings, colors and part numbers are used for identification purposes only.

This Is Just A Sample of Our Most Popular Parts • Additional Parts Available



LM50040099



LM295901



LM36



LM4189701



LM4189702

BMB

LM2327	BOLT
LM2328	BOLT KIT
LM2353	BOLT
LM2367	BOLT KIT, (3/4-16 BOLT, NUT & COTTER PIN)
LM5051H	GREASE BOLT W/ZERK
LM7256	STRAP
LM7502	KIT
LM7516	SQUARE HOLE WASHER
LM8081	BUSHING
LM8085	OUTPUT SHAFT
LM8195	BOLT KIT
LM8227	BLADE BOLT
LM8227BK	BLADE BOLT KIT
LM8251	BLADE BOLT
LM8264	BOLT KIT
LM8391	QD COLLAR KIT
LM8482	DOUBLE YOKE
LM9216	WASHER

BOMFORD

LM0295901	FORGED CUTTER FLAIL
LM0343701	COLLAR
LM0360013605	CUTTER SHAFT
LM0367525	BOLT, NUT & WASHER, SET OF 10 PCS.
LM0523401	WASHER 44.5 X 13 X 5MM
LM0987805C	TUBE, 57.375 LONG
LM0989801	LH ROLLER BRACKET, 150
LM0989802	RH ROLLER BRACKET, 150
LM104040G	CUTTERSCHAFT BEARING
LM11081508	BOMFORD-TURNER 1108 MW 1508 MW
LM4189701	LH ROLLER BRACKET
LM4189702	RH ROLLER BRACKET
LM4295505	ROLLER 6 DIA- 1500
LM4295507SP	GROUND ROLLER, 81", OPEN ENDS

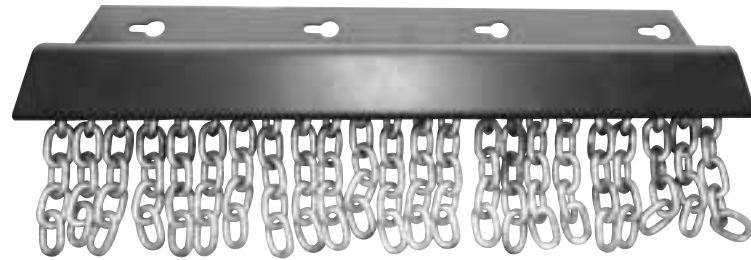
BUSH HOG

LM12263	SPACER
LM143249	CLEVIS PIN WELDMENT
LM252	PLAIN HEX JAM NUT
LM253	LOCK WASHER
LM36	BUSH HOG BLADE
LM463	BLADE
LM50017264	CHAIN, 5 LINK
LM50018334	TURNBUCKLE PIN
LM50018912	CHAIN, 4-LINK
LM50024743	BRACKET WELDMENT
LM50028461	PIVOT PIN (1.50 X 7.50)
LM50028509	ROD WELD
LM50029811	CHAIN 3 LINK
LM50029825	SHORT CHAIN BAR
LM50029826	CHAIN BAR
LM50029827	RH INSIDE CHAIN BAFFLE
LM50029829	RH OUTSIDE CHAIN BAFFLE
LM50029830	LH INSIDE CHAIN BAFFLE
LM50029832	LH OUTSIDE CHAIN BAFFLE
LM50029833	SPACER, 3/4"
LM50031385	SKID
LM50040099	LH FRONT WING SKID SHOE
LM50040101	LH REAR WING SKID SHOE
LM50040103	RH FRONT WING SKID SHOE
LM50040105	RH REAR WING SKID SHOE
LM50050388	PIVOT ARM WELDMENT
LM50050406	CHAIN, 6-LINK
LM50054452	RH REAR SKID
LM50054545	CCW BLADE, 21.2"
LM50054546	CW BLADE, 21.2"
LM50069244	SKID SHOE
LM50069369	SKID SHOE
LM50069371	SKID SHOE
LM50069372	SKID SHOE
LM50070514	SKID SHOE

GET MORE INFORMATION: CALL 800.543.6161 • EMAIL SALES@LACAL.COM

ALL PARTS ARE GUARANTEED TO MEET WITH YOUR APPROVAL. Lecal Equipment is in no way implying that any of our products are original equipment parts. All original equipment manufacturer's names, drawings, colors and part numbers are used for identification purposes only.

This Is Just A Sample of Our Most Popular Parts • Additional Parts Available



LM85740



LM3093



LM110759



LM3094

BUSH HOG

LM50076631	BLADE
LM50076632	BLADE
LM63605	BLADE BOLT KIT
LM63607	BOLT KIT
LM66516	BLADE BOLT KIT
LM67318	RH WING SKID SHOE
LM6739	FLAT BLADE
LM69900	CASTER SHAFT WELDMENT
LM7443	BLADE BOLT
LM76530	C.V. DRIVELINE
LM7919	BLADE BOLT
LM83236	FLAIL CUTTERSHAFT
LM85740	CHAIN RAIL ASSEMBLY
LM85741	CHAIN RAIL ASSEMBLY
LM85742	CHAIN RAIL ASSEMBLY
LM85744	CHAIN RAIL ASSEMBLY
LM85750	CHAIN RAIL ASSEMBLY
LM90014	CW BLADE
LM90015	CCW ROTARY BLADE
LM92007	AXLE TUBE
LM92973	CLEVIS WELDMENT
LM94284	PIN WELDMENT
LM94299	MOWER MOUNT, 60"
LM96853	SKID SHOE KIT
LMBH2500	BOLT KIT

BUSH-WHACKER

LM1712	BOLT & NUT
LM20739	BLADE
LM2201	RH SKID SHOE
LM2202	LH SKID SHOE
LM2343	SHOE
LM2413	BLADE
LM2414	BLADE BOLT
LM2735	OIL SEAL
LM3093	CCW BLADE
LM3094	CW BLADE
LM3095	HEX BLADE BOLT

BUSH-WHACKER

LM3096	WASHER
LM509	SPACER
LM51568	BLADE

CALDWELL

LM08040800	TAPERED ROLLER BEARING
LM250372	GEAR BOX, RC-61, 1:1.46
LM2877	BEARING SET (LM2878 & LM2879)
LM2880	BEARING SET (LM2881 & LM2882)

CHAMBERS AMERICAN PRODUCTS (CAP)

LM55002A1	CUTTERSHAFT, 62"
LM55005C	GROUND ROLLER, 42"
LM555161	CUTTERSHAFT, 88"
LM555162	CUTTERSHAFT, 100"
LM555182	GROUND ROLLER, 100"

DIAMOND

LM110525	5/8" X 2-1/2" H.S. NF HEX CAP
LM110756	BOLT
LM110759	HEX BLADE BOLT
LM220001	BLADE
LM220002	CW BLADE, STD. SUCTION
LM220004	CW BLADE, HIGH SUCTION
LM220005	BLADE
LM220006	BLADE
LM220009	CCW BLADE, STD. SUCTION
LM410185	FLAIL FLAP BAR, 90"
LM410250	DITCHER WEAR PLATE
LM440005	BOLT KIT (BOLT/LOCK WASHER/LOCTITE)
LM440228	BLADE KIT
LM460014	GROUND ROLLER, 60"
LM461010	BLADE BAR
LM461017	HD GRASS CUTTER SHAFT, 50"

PART NOT LISTED? CALL 800.543.6161 TODAY! LACAL HAS HUNDREDS OF ADDITIONAL PARTS AVAILABLE FOR ROTARY AND FLAIL MOWERS.

GET MORE INFORMATION: CALL 800.543.6161 • EMAIL SALES@LACAL.COM

ALL PARTS ARE GUARANTEED TO MEET WITH YOUR APPROVAL. LACAL Equipment is in no way implying that any of our products are original equipment parts. All original equipment manufacturer's names, drawings, colors and part numbers are used for identification purposes only.

This Is Just A Sample of Our Most Popular Parts • Additional Parts Available



LMW45882



LMP57928



LME31900



LMHMB815



LMHMB222772

EDWARDS

LMHM167	BLADE MOUNTING BAR
LMHMB2171	HD EDWARDS BLADE
LMHMB2171ST	HD "SUPER TUF" BLADE
LMHMB217FM	FLAIL BLADE
LMHMB2226B	GROUND ROLLER, 60"
LMHMB222772	GROUND ROLLER 72"
LMHMB2228	GROUND ROLLER, 84"
LMHMB2232	SPINDLE
LMHMB815	CLEVIS
LMHMB9041	CLEVIS PIN
LMHMB9371	BEARING

HARDEE

LMC470	BLADE
LMC48	BLADE MOUNTING BOLT
LMC50	BLADE

JOHN DEERE

LM24H1308	WASHER & NUT
LMAM116071	BUSHING KIT
LMAW27782	CENTER SKID SHOE
LMAW28264	HANGER
LMAW28884	GUIDE
LME14377	CUTTERSHAFT BEARING SUPPORT
LME31900	CUP KNIFE
LMJD10387	CUTTERSHAFT BEARING W/O HOUSING
LMN115853	BOLT EYE
LMP57928	FLAIL BLADE
LMPT10430	TOOTH WITH SHANK
LMW22237	BLADE BOLT
LMW34290	BLADE
LMW38054	BLADE BOLT
LMW38616	STRAP
LMW38627	BLADE WASHER
LMW38686	BLADE BOLT

JOHN DEERE

LMW43465	BLADE
LMW43466	BLADE
LMW43490	EYE BOLT PIN
LMW45313	HITCH PIN
LMW45401	SKID
LMW45882	RH WING SKID SHOE
LMW45883	LH WING SKID SHOE
LMW48577	BLADE
LMW48578	BLADE
LMW50191	BLADE
LMW50192	BLADE

KING KUTTER

LM190118	ROTARY BLADE, 48" CUT
LM190124	ROTARY BLADE, 60" CUT
LM190130	ROTARY BLADE, 72" CUT
LM501002	BOLT KIT, (2 BOLTS, NUTS & LOCK WASHERS)
LM501118	BLADE SET (2 X LM190118)
LM501124	BLADE SET (2 X LM190124)
LM501130	BLADE SET (2 X LM190130)
LM502020	TIRE/WHEEL W/AXLE BOLT

LAND PRIDE

LM312608A	FLEX COUPLER KIT
LM315752D	RH THREAD BLADE BAR
LM331120H	HARDENED WING SKID SHOE
LM802277C	BLADE BOLT
LM820090C	BLADE
LM820092C	CCW BLADE, 1/2" X 4" X 25.75"
LM820112C	BLADE
LM820137C	BLADE
LM820168C	BLADE
LM820169C	BLADE
LM820170C	BLADE
LM820249C	CW CUTTER BLADE, 1/2" X 4" X 29"
LM822006C	BEARING

GET MORE INFORMATION: CALL 800.543.6161 • EMAIL SALES@LACAL.COM

ALL PARTS ARE GUARANTEED TO MEET WITH YOUR APPROVAL. LACAL Equipment is in no way implying that any of our products are original equipment parts. All original equipment manufacturer's names, drawings, colors and part numbers are used for identification purposes only.

This Is Just A Sample of Our Most Popular Parts • Additional Parts Available



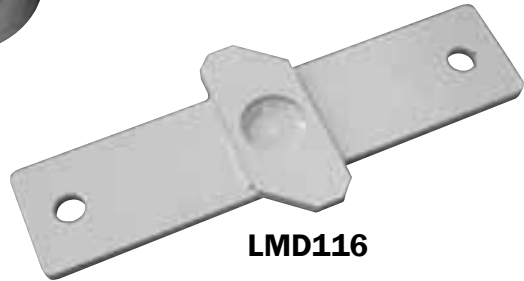
LMD75



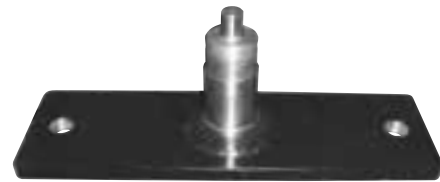
LMD52



LMB118



LMD116



LMC121

MOHAWK

LM15FE001L	LH CENTER SKID SHOE
LM15FE001R	RH CENTER SKID SHOE
LM15FE002	LH/RH WING SKID SHOE
LM16166	BLADE
LM6809	BLADE BOLT BUSHING

MONO

LM7A5495	BOLT KIT (BOLT, NUT & WASHER)
LM850946	BLADE BOLT
LM850946BK	BOLT KIT (BLADE BOLT, BUSHING & NUT)
LM941667	1"-14 HEX SLOTTED JAM NUT, GR5

MOTRIM

LMA163	PLAIN HEX JAM NUT, GR 5, 1-1/2-6
LMA2	BUSHING
LMA211	MOTOR KEY, 1/4" X 3/8" X 1" LO
LMA223	MOTOR KEY
LMA2262	SPROCKET W/2 KEYWAYS
LMA234	TIE DOWN NUT
LMA245	WASHER
LMA249	FELT WASHER
LMA310	TRUNNION PIN
LMA318	RETAINING PIN
LMA320	HINGE PIN
LMA325	BUSHING
LMA351	BLADE
LMA363	HINGE PIN
LMA445	BLADE BOLT
LMA452S1	BLADE BOLT W/HOLE & JAM NUT
LMA614	PIN
LMA7110	BLADE BOLT
LMA7123	EXTENSION SHAFT
LMA7138	PIN
LMA714	SPRING LEVER

MOTRIM

LMA715	EYE BOLT W/NUTS
LMA7332	HINGE PIN
LMA859	BLADE BOLT W/DRILLED HOLE
LMA994	SPEC. SLOTTED HEX NUT, 3/4" HIGH
LMB118	NUT, 2" LH
LMB7049SL	LH SKID SHOE, SHORT
LMB7049SR	RH SKID SHOE, SHORT
LMB7055	GROUND ROLLER, 88"
LMB7063	PTO SHAFT
LMB706574	RUBBER DEFLECTOR, (MODEL 74)
LMB7067	GROUND ROLLER, 74"
LMC121	BLADE BAR WELDMENT SPINDLE
LMC1240	BOLT & NUT
LMC7020	RIGHT SIDE ARM
LMD116	BLADE MOUNTING PLATE
LMD117	SHAFT, 26" LONG
LMD52	BLADE BAR
LMD700028	LINK PIN
LMD700030	LINK PIN
LMD700031	LINK PIN
LMD7012	BLADE BAR
LMD7032SP	FLAIL CUTTERSHAFT
LMD70351	CUTTERSHAFT, 92"
LMD7036	CUTTERSHAFT, 78"
LMD7069	GROUND ROLLER, 88"
LMD71S1	BOLT & NUT
LMD71S2	BOLT & NUT
LMD75	HUB ASSEMBLY
LM07069	GROUND ROLLER

PART NOT LISTED? CALL 800.543.6161 TODAY! LACAL HAS HUNDREDS OF ADDITIONAL PARTS AVAILABLE FOR ROTARY AND FLAIL MOWERS.

GET MORE INFORMATION: CALL 800.543.6161 • EMAIL SALES@LACAL.COM

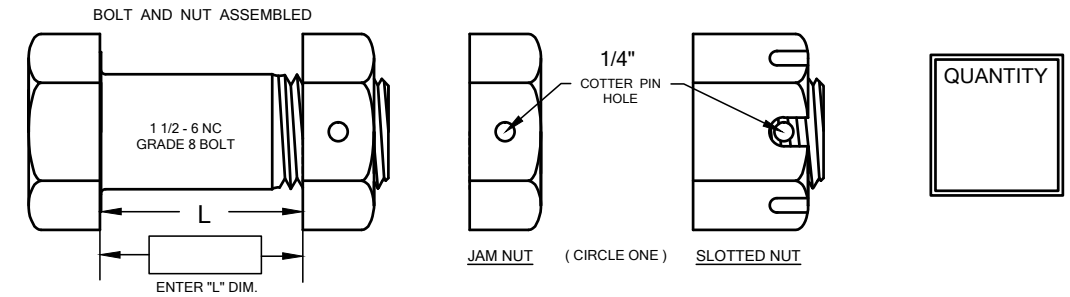
ALL PARTS ARE GUARANTEED TO MEET WITH YOUR APPROVAL. Lecal Equipment is in no way implying that any of our products are original equipment parts. All original equipment manufacturer's names, drawings, colors and part numbers are used for identification purposes only.

This Is Just A Sample of Our Most Popular Parts • Additional Parts Available

Motrim Bolt & Nut Set Reference Sheet

1 1/2" DIAMETER BOLT AND NUT SETS FOR MOTRIM MOWERS
CUSTOMER ORDER FORM

DEAR CUSTOMER, THIS ORDER FORM WILL INSURE THAT YOU GET THE CORRECT BOLT SET YOU REQUIRE. IF YOU HAVE QUESTIONS OR SPECIAL REQUIREMENTS PLEASE FEEL FREE TO CALL US OR NOTE THEM AT THE BOTTOM OF THIS FORM AND FAX IT TO US. A SALES REPRESENTATIVE WILL CONTACT YOU PROMPTLY. THANK YOU!



THE "L" DIMENSION IS THE REQUIRED DISTANCE BETWEEN THE BOLT HEAD AND NUT WHEN ASSEMBLED ON THE BLADE AND BLADE BAR. THIS DIMENSION DETERMINES THE BOLT TO BE USED TO ATTAIN THE MAXIMUM SHOULDER LENGTH FOR BEST WEAR RESISTANCE. NO OTHER DIMENSIONS ARE NECESSARY. THE "L" DIMENSION IS SET BEFORE THE COTTER PIN HOLE IS DRILLED TO ASSURE PROPER HOLE ALIGNMENT AT THE CORRECT DISTANCE YOU REQUIRE.

Submitted By: _____
YOUR NAME PRINTED YOUR SIGNATURE YOUR CONTACT PHONE



Transmit this worksheet to Lecal Equipment via fax/email or simply call our sales representatives to make sure the bolts and nuts you order are the exact ones you need.

LACAL PART NUMBER: _____

Call: 800.543.6161 • Fax: 937.596.5433 • Email: sales@lcal.com

Yes, We Have The Hardware For That!



No need to contact your local hardware store – Lecal keeps most connection hardware for our parts inventory in stock.

GET MORE INFORMATION: CALL 800.543.6161 • EMAIL SALES@LACAL.COM

ALL PARTS ARE GUARANTEED TO MEET WITH YOUR APPROVAL. Lecal Equipment is in no way implying that any of our products are original equipment parts. All original equipment manufacturer's names, drawings, colors and part numbers are used for identification purposes only.

This Is Just A Sample of Our Most Popular Parts • Additional Parts Available



ROANOKE

LM02944	SPROCKET, 10TH, 1-1/4"
LM03433	SPINDLE WELDMENT
LM04595	SPINDLE HUB
LM2231	BLADE
LM32064	SPACER BAR
LM32065	BLADE BAR
LM35208	SPROCKET, 14 SPLINE
LM36719	BLADE BOLT
LM36720	BLADE BAR MOUNTING BOLT
LM4596	BLADE
LM4597	BUSHING
LM4597A	BUSHING, 1-1/8"
LM4597B	BUSHING, 15/16"
LM4599	COUPLING CHAIN
LM4803	SPACER
LM4804	SEAL RETAINER PLATE
LM4943	PIN

SCHULTE

LM251007	BLADE BOLT
LM251018	PENTAGON BLADE BOLT
LM251101	BLADE BOLT & NUT KIT
LM251103	BLADE BOLT & NUT, 7/8" THICK
LM251201	BLADE BOLT & NUT KIT
LM257003	LOCK NUT, NYLON, GR 8, SPECIAL
LM3416014	BOLT & NUT, (1EA), 10 X 55MM, GR8.8
LM341633	BOLT, NUT & LOCK WASHER
LM3416527	BOLT M12 X 80 & NUT
LM401039	BLADE
LM401046	CW HIGH LIFT BLADE
LM401527	CCW UPDRAFT BLADE, 1/2" X 5"
LM401532	CW UPDRAFT BLADE, 1/2" X 5"
LM618001	BUSHING
LMA101153	BEARING STAND
LMA101156	BEARING STAND MOUNT
LMC120106	REAR SKID SHOE

SCHULTE

LMC301137	CENTER FRONT SKID
LMC301147	HINGE PIN, 14-27/32" LG
LMC301203	HINGE PIN
LMC301207	RIGHT WING GEARBOX PIVOT SHIELD
LMC301352	RH STD. WING WHEEL, NO SEAL GUARD
LMC301551	CHAIN GUARD DOUBLE CENTER FRONT MID
LMC301553	CHAIN GUARD DOUBLE CENTER REAR CTR.
LMC301555	CHAIN GUARD DOUBLE WING FRONT
LMC301556	CHAIN GUARD DOUBLE WING REAR INBRD
LMC301557	CHAIN GUARD DOUBLE WING REAR CENTER
LMC306149	PIN 1" DIA CENTER WHEEL STD
LMC310135	OUTER WING SKID STANDARD
LMC502141	HINGE PIN 9"
LMCS01134	PIN, 1" X 4-11/16"

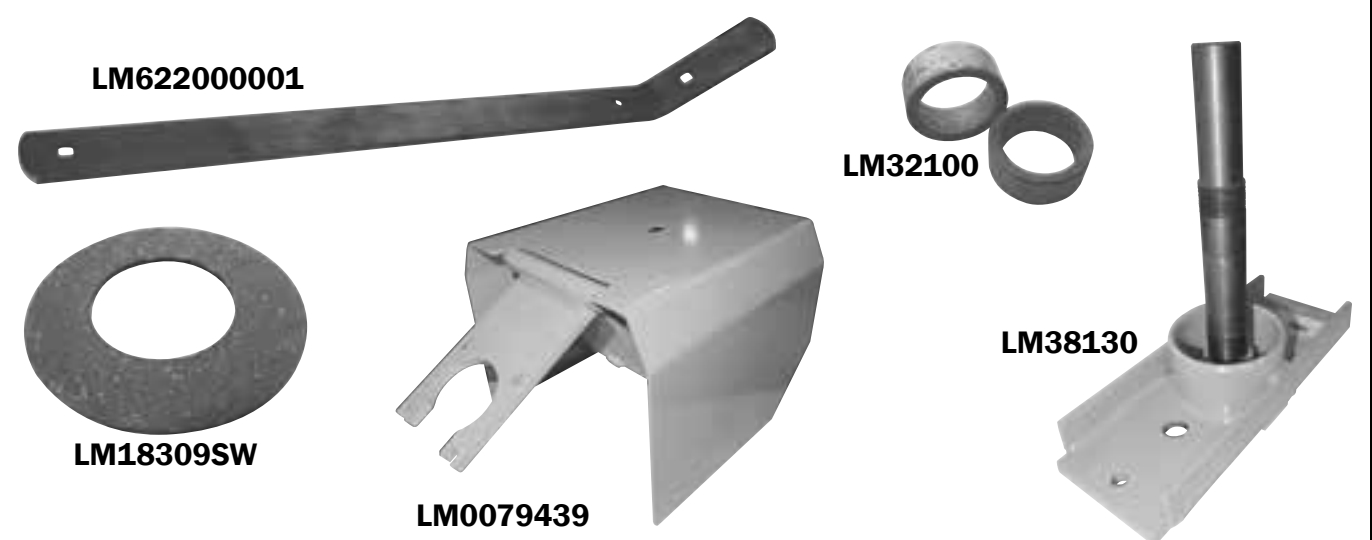
SERVIS-RHINO

LM00162805	TONGUE PIN
LM001716	SPACER
LM00725970P	RHINO ORC-6-15
LM00748536	INPUT SEAL (GEARBOX)
LM00752903	BOLT, NUT & LOCK WASHER - M12 X 65
LM00754316	BOLT W/ELASTIC TLN - M10 X 80
LM00754949	ZINC HEX NUT, 2-3/4" LONG
LM00755230	TONGUE WELDMENT, 2 CONTROL RODS
LM00755264	BUSHING WELDMENT
LM00756493	WASHER
LM00756580	INTERMEDIATE DRIVELINE ASSEMBLY
LM00757829	TWISTED CENTER BLADE
LM00757830	TWISTED RIGHT WING BLADE
LM00758831	LEVELER WELDMENT (S/R)
LM00760335	RH OUTER AXLE WELDMENT
LM00763996	RH SKID SHOE
LM00764020	LH SKID SHOE
LM00769799	SHIM KIT
LM00775233	BLADE SET (2 X 00775233A)
LM00775233A	BLADE

GET MORE INFORMATION: CALL 800.543.6161 • EMAIL SALES@LACAL.COM

ALL PARTS ARE GUARANTEED TO MEET WITH YOUR APPROVAL. Lecal Equipment is in no way implying that any of our products are original equipment parts. All original equipment manufacturer's names, drawings, colors and part numbers are used for identification purposes only.

This Is Just A Sample of Our Most Popular Parts • Additional Parts Available



SERVIS-RHINO

LM00775267	BLADE SET (2 X 00775267A)
LM00775267A	CCW BLADE
LM00775338	HEX CAPSCREW, M12, 8.8, FINE
LM00775502	RH REAR DEFLECTOR WELDMENT
LM00775942	WELDMENT LINK
LM00775952	FLAT BAR LINK
LM00777951	FLOATING LINK WELDMENT
LM00779220	CLEVIS SPACER
LM00779222	SWIVEL BASE WELDMENT
LM00779226	OUTER TUBE WELDMENT
LM00779229	SWIVEL SHAFT WELDMENT
LM00779232	SWIVEL HITCH ASSEMBLY
LM00779439	GEARBOX SHIELD WELDMENT
LM02962030	SPINDLE BEARING LOCKNUT
LM02962310	CG 5 DUAL REAR V/M ASSEMBLY
LM0582010332	BLADE
LM0582010332P	BLADE
LM0622000001	SKID SHOE, 1-PC.
LM0652010030	BLADE
LM0656150200	HARDENED WASHER W/SQ. HOLE
LM0731300010	BLADE
LM100232	SHIM
LM100236	SHIM
LM100237	SHIM
LM100238	SHIM
LM100239	SHIM
LM100240	SHIM
LM571044	BLADE BOLT
LM571045	WASHER (BLADE ASSEMBLY)
LM5D20120	PLAIN SLOTTED HEX NUT, 1-1/4-12
LM5GL16140	LH HEX NUT, 1-14
LM651062D	SPRING BASE PIVOT BUSHING
LM65203L	LH SKID SHOE
LM65203R	RH SKID SHOE

SIDEWINDER

LM15056SW	BEARING CUP
LM15057SW	BEARING CONE
LM15060BK	BLADE BOLT & NUT
LM15060SW	BLADE MOUNTING BOLT
LM15148SW	BALL BEARING
LM15161SW	EXPANSION PLUG
LM15306SW	OIL SEAL
LM15607	BEARING
LM16197SW	BLADE BOLT BUSHING, 3/8" BLADES
LM18309SW	CLUTCH FRICTION DISC, 1-PC
LM18311SW	SLIP CLUTCH SPRING
LM20436SW	SPIDER
LM20438SW	DISC PAD, 6" DIAMETER
LM21301SW	BLADE
LM26377SW	LH A-FRAME

SUNMASTER

LM24150	SPINDLE NUT
LM26420	DOUBLE END COUPLING
LM32100	BLADE BUSHING
LM38130	SUNMASTER SPINDLE WELDMENT
LM63308	BELT TIGHTNER WELD ASSEMBLY
LM66754	BLADE BOLT W/HOLE
LM67334	BOLT KIT
LMR31850	SPECIAL BLADE BOLT

TERRAIN KING

LM00017200	PLAIN HEX SLOTTED NUT
LM00020900	HEAVY SLOTTED HEX NUT, ZINC
LM00025200	LAMINATED TIRE/WHEEL W/TREAD, 5 HOLE
LM00127028	BLADE
LM00137200	SPECIAL WASHER (BLADE ASSEMBLY)
LM00156503	BOLT
LM00167700	BLADE BOLT W/HOLE
LM00168300	OUTPUT SHAFT

GET MORE INFORMATION: CALL 800.543.6161 • EMAIL SALES@LACAL.COM

ALL PARTS ARE GUARANTEED TO MEET WITH YOUR APPROVAL. Lecal Equipment is in no way implying that any of our products are original equipment parts. All original equipment manufacturer's names, drawings, colors and part numbers are used for identification purposes only.

This Is Just A Sample of Our Most Popular Parts • Additional Parts Available



TERRAIN KING

LM00179600	CROSS & BEARING KIT
LM00748520	SHIM PACKAGE (4 SHIMS)
LM00748531	SHIM PACKAGE (3 SHIMS)
LM00748807	CLEVIS
LM00750121	BLADE
LM00750602	CYLINDER SEAL REPAIR KIT
LM00750731	BUSHING
LM00750989	LH WING SKID SHOE
LM00750993	RH WING SKID SHOE
LM00751305	CENTER SECTION SKID SHOE
LM00752827	BLADE BOLT
LM00753068	CROSS BEARING KIT, SERIES 8
LM00753179	RH SKID SHOE
LM00753180	LH SKID SHOE
LM00754083	YOKE
LM00754199	METRIC BOLT & LOCK NUT SET
LM00754294	BLADE
LM00755021	LEVEL ROD WELDMENT
LM00755044	LEVEL LIFT SWIVEL BAR
LM00755276	RETAINING ROD, 1/4" X 72"
LM00755566	COMER GEAR BOX
LM00755615	BEARING
LM00755623	WASHER
LM00755624	PLAIN SLOTTED HEX JAM NUT
LM00756445	DUAL AXLE ARM
LM00756639	SKID SHOE SET W/HARDWARE
LM00757069	RH SKID SHOE
LM00757577	AXLE WELDMENT PIN
LM00758579	WASHER
LM00758674	OUTPUT SHAFT SEAL
LM00759203	RH SKID SHOE
LM00759204	LH SKID SHOE
LM00759862	DEFLECTOR
LM00760245	INNER HALF SHAFT
LM00760336	LH OUTER AXLE WELDMENT

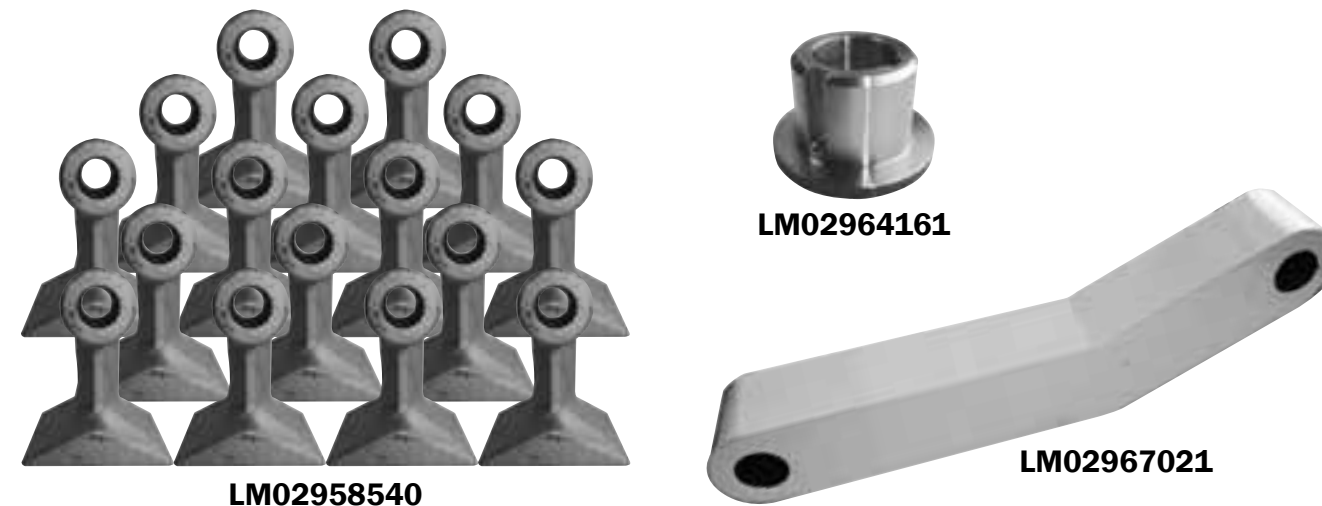
TERRAIN KING

LM00760452	PTO DRIVELINE
LM00763596	SKID SHOE
LM00764023	SKID SHOE
LM02032300	BUSHING
LM02724500	KEY, 5/16" SQUARE X 1-1/4"
LM02781600	BLADE BAR TOP LEAF
LM02781700	BLADE BAR MIDDLE LEAF
LM02781800	BLADE BAR BOTTOM LEAF
LM02782000	SOCKET HEAD C.S., 3/4-10 X 3-3/4"
LM02782900	BLADE BOLT
LM02782900BK	BOLT KIT
LM02817100	BEARING ASSEMBLY (CUP & CONE)
LM02875400	DITCHER DISK, STANDARD ROTATION
LM02880700	EXTENSION ARM PIN
LM02880800	CYLINDER DEAD END PIN
LM02885600	ROUND HOLE SKID SHOE
LM02885600HD	HD SKID SHOE
LM02885700	FLAP
LM02930100	DEAD END CYLINDER PIN
LM02930200	LINKAGE PIN
LM02954200	BLADE BAR & BLADES ASSEMBLY
LM02956712	FLAP
LM02956741	BOOM REAR ROLLER WELDMENT
LM02956748	RH SKID SHOE WELDMENT
LM02956821	KING PIN WELD & BUSHING
LM02956830	REAR TURNING ARM ASSEMBLY
LM02956943	HEAT TREATED BUSHING
LM02956949	HANGER BOLT, GR 8, (1" THD. LGT.)
LM02957008	BEARING CUP & CONE ASSEMBLY
LM02957157	INNER BEARING HOUSING
LM02957161	OUTER BEARING HOUSING
LM02957166	HOUSING COVER
LM02957177	CUTTERSHAFT WASHER
LM02957331	RH SKID SHOE

GET MORE INFORMATION: CALL 800.543.6161 • EMAIL SALES@LACAL.COM

ALL PARTS ARE GUARANTEED TO MEET WITH YOUR APPROVAL. Lecal Equipment is in no way implying that any of our products are original equipment parts. All original equipment manufacturer's names, drawings, colors and part numbers are used for identification purposes only.

This Is Just A Sample of Our Most Popular Parts • Additional Parts Available



TERRAIN KING

LM02957332	LH SKID SHOE
LM02957347	HARDENED BUSHING
LM02957348	BEARING SPACER
LM02957350	FLAP
LM02957380	SIDE GUARD
LM02957407	BLADE BAR WELDMENT
LM02957458	FLAP
LM02957478	CARRIER & BLADES ASSEMBLY
LM02957496	REAR FLAP RETAINER
LM02957535	LINKAGE PIN
LM02957655M	FLAIL AXE "C" SHAFT ASSEMBLY
LM02958089	BUMPER
LM02958540	FLAIL AXE BLADE SET (16 X LM2956707)
LM02958591	MAIN WELDMENT PIN, NEW STYLE
LM02958666	HITCH POST (VERSA)
LM02958680	BLADE MOUNTING WELDMENT
LM02959401	BLADE BAR SPACER, 1-1/4"
LM02959463	COVER WELDMENT
LM02959630	SKID SHOE
LM02959952	FRONT GUARD
LM02959956	RUBBER FLAP
LM02959957	RUBBER FLAP
LM02960458	PIN
LM02960545	BELT GUARD WELDMENT
LM02960882	RH SKID SHOE
LM02960883	LH SKID SHOE
LM02960885	DEFLECTOR
LM02960886	DEFLECTOR
LM02961129	DIPPER WELDMENT SECTION
LM02962473	SKID SHOE
LM02962636	BLADE BAR TOP LEAF
LM02962637	BOTTOM LEAF BLADE BAR
LM02962721	BLADE BAR ASSEMBLY, 50"
LM02963505	PIN LINKAGE (GREASABLE)
LM02964161	BUSHING

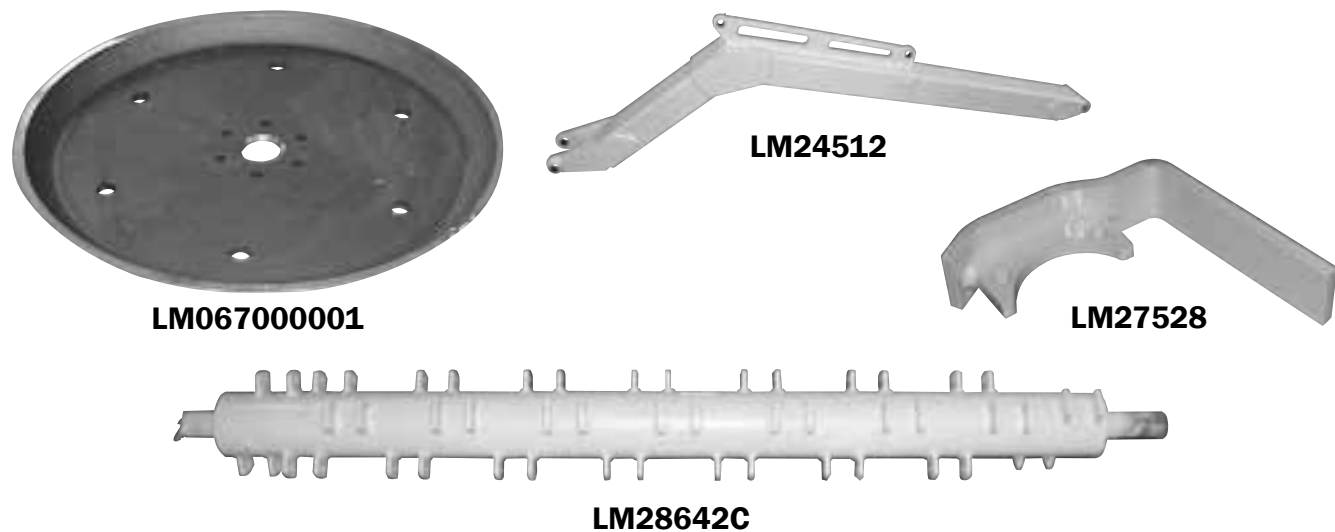
TERRAIN KING

LM02964162	SPACER
LM02964330	BLADE BOLT
LM02964456	BLADE PAN W/HARDWARE KIT
LM02964557	SKID SHOE
LM02964804	BLADE PAN W/SPIDER & HARDWARE
LM02964815	BUSHING
LM02964960	BLADE SET OF 3
LM02965427	ARM EXTENSION WELDMENT
LM02965751	SKID SHOE
LM02966756	CYLINDER PIN WELDMENT
LM02966757	PIN WELDMENT
LM02966767	PIN WELDMENT
LM02966899	SKID SHOE
LM02966935	TILT CYLINDER PIN WELDMENT
LM02966936	DIPPER PIN W/NUT & WASHER
LM02966964	PIN WELDMENT
LM02967008	SPACER
LM02967013	DIPPER CYLINDER PIN
LM02967021	LINKAGE ARM ASSEMBLY
LM02968532	FLAIL AXE BLADE KIT W/HARDWARE
LM02969230	BLADE BAR ASSEMBLY W/BLADES
LM02969230KIT	BLADE BAR KIT W/BLADES
LM02970540	BOOM ROLLER WELDMENT
LM02970585	LH SKID SHOE WELDMENT
LM02971705	PIN WELDMENT
LM02974005	ELECTRICAL ACTIVATION MODULE
LM02975229	BAGO DOOR FLAP (SQUARE ENDS)
LM02975230	BAGO DOOR FLAP (TRIANGLE END)
LM02977728	WELDMENT, GEARBOX MTG. FRAME
LM02978563	BUSHING, BLADE BOLT
LM02978568	BLADE BOLT & NUT ASSEMBLY
LM065202	BUSHING
LM2500W	BLADE BOLT KIT
LM7520A	BLADE

GET MORE INFORMATION: CALL 800.543.6161 • EMAIL SALES@LACAL.COM

ALL PARTS ARE GUARANTEED TO MEET WITH YOUR APPROVAL. Lecal Equipment is in no way implying that any of our products are original equipment parts. All original equipment manufacturer's names, drawings, colors and part numbers are used for identification purposes only.

This Is Just A Sample of Our Most Popular Parts • Additional Parts Available



TIGER	
LM06200347	FLAIL STRING GUARD KIT
LM06310003	REAR STOW SWIVEL
LM06400388	BLADE BAR, TRB
LM06400690	BLADE BAR, RTRY60
LM06401245	SKID SHOE, RTRY60
LM06410254	SKID SHOE, HEAT TREATED
LM06410254SP	SKID SHOE, MILD STEEL, NO HEAT TREAT
LM06420006	DRIVE SHAFT SPACER, TSA 100-135
LM06420013	PIN, 1.50" X 19.88" WITH 0.47 NITRIDE
LM06420016	PIN
LM06420019	PIN
LM06420021	PIN
LM06420022	PIN, 1.50" X 12.00" WITH .047 NITRIDE
LM06501022	CYLINDER, 4" X 20"
LM06520085	CENTER FLAP, TSR
LM06521002	BLADE, TRB50 5/8 SUCTION
LM06537021	ZINC ROLL PIN, M5 X 50
LM0653800	KNIFE MOUNTING BOLT, 5/8" SHOULDER
LM06538000	KNIFE MOUNTING BOLT, 5/8" SHOULDER
LM06700001	BLADE MOUNTING DISH W/HARDWARE, 50"
LM06700002	BLADE DISH W/HARDWARE, 60"
LM06770009	ASSEMBLY, HUB, SOLID TIRE, CASTER
LM06770012	DISK BOLT KIT
LM21242A	FLAP BAR, TM 72
LM21295	FLAP
LM22057	CASTER AXLE SPINDLE ASSEMBLY
LM22592	FLAP DEFLECTOR, TM60
LM22596	JAM WASHER
LM22753	PROTECTOR TUBE
LM22847	BOSS
LM23596	CRANKSHAFT ADAPTER SPACER
LM24347	DEFLECTOR
LM24491	FRONT SHIELD, TRB 50
LM24492	REAR SHIELD
LM24512	MAIN BOOM W/BUMPER PAD

TIGER	
LM24849	SPACER, 7/8" X 1-1/4" X 5/8"
LM27167	DISH MOUNTING BOLT KIT, 5/8"
LM27528	RH BEARING SKID
LM27529	LH BEARING SKID
LM27881	LH BEARING SKID
LM27972A	GROUND ROLLER, 90"
LM28050	PIN, 1.00 X 3.00, W/Ø.22, CAP
LM28642C	FLAIL CUTTERSHAFT, 63"
LM28643B	BALANCED CUTTER SHAFT, 75"
LM28703B	BELT GUARD, TSF, STD.
LM28735	ADJUSTABLE ROLLER BRACKET STD.
LM28738	GROUND ROLLER, 75"
LM28743	CUTTERSHAFT
LM28747	CUTTERSHAFT ASSEMBLY, 75 STD., STD. KNIVES
LM28857A	PUMP DRIVE SHAFT, 25-7/8"
LM288999A	TUBE
LM28914	SPLINED COUPLING
LM28999	GROUND ROLLER, 102"
LM30000	GROUND ROLLER, 96" X 6-5/8" DIA.
LM30565	GROUND ROLLER BEARING CAP STRAP
LM31286A	BELT SHIELD
LM31293	IDLER SHEAVE
LM31325	LIGHTENED BLADE DISH, 60", 5/8" HOLES
LM31327	BLADE DISH, 60", 5/8" HOLES
LM31680	STUB SHAFT SPACER
LM31773	FRONT CHAIN GUARD ASSEMBLY
LM32372	PIN, 1.50 X 4.94, W/Ø. 47
LM32378	PIN, 2.00 X 12.97, W/Ø. 47
LM32572	SPINDLE REPAIR KIT
LM32640	PUMP DRIVE SHAFT
LM32951	HINGE PIN SHIELD
LM32952	DEFLECTOR

PART NOT LISTED? CALL 800.543.6161 TODAY! LACAL HAS HUNDREDS OF ADDITIONAL ROTARY AND FLAIL MOWER PARTS.

GET MORE INFORMATION: CALL 800.543.6161 • EMAIL SALES@LACAL.COM

ALL PARTS ARE GUARANTEED TO MEET WITH YOUR APPROVAL. LACAL Equipment is in no way implying that any of our products are original equipment parts. All original equipment manufacturer's names, drawings, colors and part numbers are used for identification purposes only.

This Is Just A Sample of Our Most Popular Parts • Additional Parts Available



TIGER	
LM33211	RETAINER
LM33621	BUSHING, FLAIL, SABER
LM33655	FRONT ROTARY SAFETY GUARD PLATE
LM33656	REAR ROTARY SAFETY GUARD PLATE
LM33713	FORGED FLAIL BLADE
LM33768	SHEAVE ASSEMBLY
LM33775	DEFLECTOR FLAP
LM33859	FLAT WASHER, HEAT TREATED
LM33891	BLADE KIT (BLADES/BOLTS & HARDWARE)
LM33986	PIN, 1.00 X 13.13, W/Ø. 44
LM33990	GREASE ZERK, 1/8" X 2-3/16" X 65-DEG.
LM34475	H.H. CAPSCREW, 3/4-16 X 2, "L9"
LM34479	SPROCKET, SABER, KEYWAY
LM34497	BLADE BOLT
LM34509	BLADE MTG. BAR, SABRE
LM34512	BLADE DISH, 50", 5/8" HOLES
LM34783	BRUSH CUTTER SHAFT
LM34875	BLADE DISH, 50"
LM34883	BLADE BOLT
LM35017	SWIVEL, ASSEMBLY, TRUCKAT
LM35190	PIN, 1.00" X 5.00" WITH .44" HOLE
LM35258	ANGLE, LATCH, COVER
LM35303	ROD, 3/8"
LM6T0100	CABLE SHEAVE BRACKET
LM6T0101	CYLINDER END BRACKET
LM6T0106	TRAVEL LOCK BRACKET, TM60 & FLAIL
LM6T0115	TURNBUCKLE W/JAM NUTS
LM6T0317	PUMP DRIVE SHAFT, 23-1/2"
LM6T0824	DEFLECTOR
LM6T1010H	HD SPINDLE HOUSING
LM6T1011	UPPER SEALS (SET/2)
LM6T1014	ADJUSTABLE BEARING SLEEVE
LM6T1015	THIN BEARING LOCK NUT
LM6T1016	THICK BEARING LOCK NUT
LM6T1017	COUPLER

TIGER	
LM6T1020RD	BLADE DISH, 60", 1/2" BOLT HOLE
LM6T1020TB	BLADE DISH, 50", 1/2" BOLT HOLES
LM6T1021RR	CCW STD. SUCTION BLADE
LM6T1021RS	CW HIGH SUCTION BLADE
LM6T1022R	KNIFE MOUNTING BOLT
LM6T1022RBK	BOLT KIT
LM6T1023R	NYLON LOCKNUT, GR8, Z&Y, 1-5/8 AF
LM6T2296	HEX CAPSCREW, GR8, Z&Y
LM6T2331	SCREW
LM6T2999	OUTER DRAFT BEAM PIN
LM6T3001	INNER DRAFT BEAM PIN
LM6T3005	CAPPED PIN, 1" X 6.30"
LM6T3009	SHORT SHEAVE PIN W/GREASE ZERK
LM6T3010	LONG SHEAVE PIN W/GREASE ZERK
LM6T3020	CLIP (HAIR PIN)
LM6T3923	SWITCH
LM6T5003	O-RING
LM6T5013	WEAR PLATE
LM6T5321	SEAL KIT
LM6T7003	SPROCKET W/SPLINE
LM6T7008	DITCHER DISC
LM6T7009	SLINGER ANGLE, STD. ROTATION
LMTB1006	CURTAIN
LMTB1008	BAR
LMTB1025	SECONDARY BOOM SWIVEL PIN
LMTB1028	PIVOT ARM, W/BUSHING & ZERKS
LMTB1030	PIVOT ARM PIN
LMTB1045A	PIN
LMTB1045B	PRIMARY CYLINDER PIN WELDMENT
LMTB1105	FLAP
LMTB1106	FLAP
LMTB1109	LIGHTENED BLADE PAN, 60", 1/2"
LMTB2029	BOLT PROTECTOR, 1/2" BOLTS
LMTB20295	BOLT PROTECTOR, 5/8" BOLTS
LMTB20296	BOLT PROTECTOR, 3/4" BOLTS

GET MORE INFORMATION: CALL 800.543.6161 • EMAIL SALES@LACAL.COM

ALL PARTS ARE GUARANTEED TO MEET WITH YOUR APPROVAL. LACAL Equipment is in no way implying that any of our products are original equipment parts. All original equipment manufacturer's names, drawings, colors and part numbers are used for identification purposes only.

This Is Just A Sample of Our Most Popular Parts • Additional Parts Available

TIGER

LMTB3002B	SWIVEL BOOM BRACKET REV. ASSEMBLY
LMTB3003A	STD. BOOM SWIVEL BRACKET
LMTB3013C	OUTER SWIVEL PIN
LMTB3014	INNER SWIVEL PIN
LMTB3014A	PIN W/O PLATING
LMTB3016	INNER SPRING TUBE
LMTB3018	OUTER SPRING TUBE
LMTB3019	TRAP DOOR ROD
LMTB3023	TRAP DOOR ROD
LMTB3026	TRAP DOOR
LMTB3027	TRAP DOOR
LMTB3033	CLEVIS W/BEARING
LMTB3037D	CLEVIS W/O BEARING OR HARDWARE
LMTB3039	CONTROL TUBE CLAMP, 1/4, (BOOM)
LMTB3043	HOSE CLAMP, BOOM SUBFRAME BRACKET, 6 X 2
LMTF1002	BARE CUTTERSHAFT, 75"
LMTF1002A	CUTTERSHAFT ASSEMBLY, 75HD, STD.
LMTF1016	DEFLECTOR FLAP
LMTF1021B	BOLT & NUT SET, GR 8
LMTF1042	BEARING PROTECTOR W/SEAL
LMTF1045B	STUB SHAFT
LMTF1102	BARE CUTTERSHAFT, 90"
LMTF1104A	TIE ROD
LMTF1107	INPUT SHAFT
LMTF1116	DEFLECTOR
LMTF1125	KEY, 5/16" SQ X 1-3/4" LONG
LMTF1402A	BAFFLE WELDMENT, 75"
LMTF1403	TRASH GUARD
LMTF1502A	STD. ROTATION FLAIL BAFFLE, 90HD
LMTF3004	SHIELD
LMTF3090	PIVOT ARM PIN
LMTF3405	GROUND ROLLER, 50" X 6" DIA.
LMTF3406	TIE ROD WELDMENT
LMTF3407	ADJUSTABLE ROLLER BRACKET
LMTF3605	IDLER ARM PIN, 3/4" X 4-1/4"
LMTF4333A	ADJUSTABLE HD ROLLER BRACKET
LMTF4334	RH ADJUSTING SCREW
LMTF4335	LH ADJUSTING SCREW
LMTF4336	GROUND ROLLER LOCK PLATE
LMTF4337	ADJUSTABLE ROLLER BRACKET
LMTF4338	RH HD ADJUSTMENT ROD
LMTF4339	LEFT ADJUSTMENT ROD
LMTF4346	RH IDLER ARM
LMTF4365	LH INNER SKID SHOE
LMTF4366	SKID SHOE, L/PROFILE-INNER-LF
LMTF4370	LH OUTER SKID SHOE
LMTF4371	RH OUTER SKID SHOE

TRIUMPH

LM0028700	BEARING
LM0163800	HEX NUT, 7/16" NC
LM0190800	CONNECTOR
LM0585500	RH INNER SHOE SOLE

WOODS

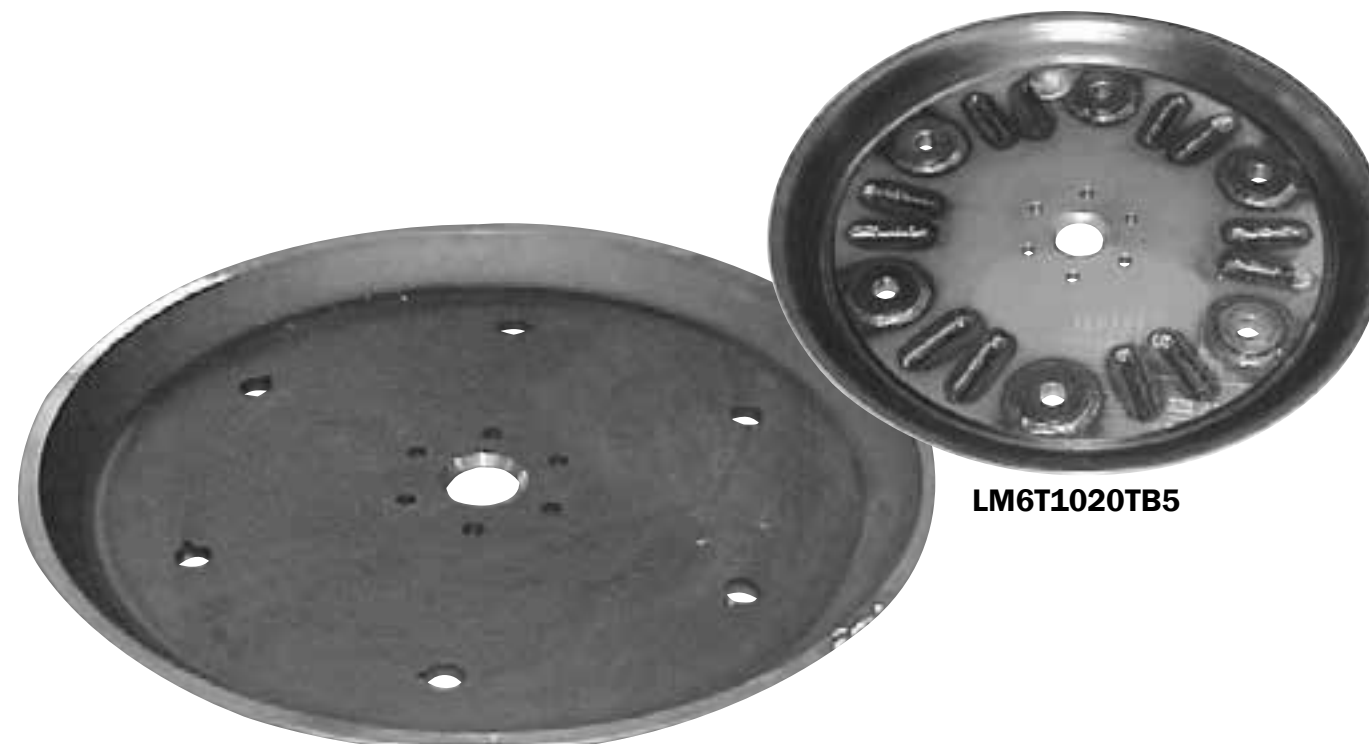
LM1008190	1-1/2" BLADE PIN KIT
LM1008190A	BLADE BOLT
LM1008199KT	BLADE KIT OF 3, 25" HIGH SUCTION
LM1017147	RH SKID
LM1017148	LH SKID
LM1028815	TAIL WHEEL FORK WELDMENT
LM1032105	AXLE NUT
LM11122	SKID SHOE W/HARDWARE
LM11122A	SKID SHOE
LM11731	SIDE SKID
LM12577	LAMINATED TIRE/WHEEL, 5" WIDEX 8"
LM12890	SKID SHOE W/HARDWARE
LM12916	BLADE
LM17191	SKID SHOE
LM18493	SKID SHOE
LM19154	NON-ADJUSTABLE SIDE SKID
LM19181	SLEEVE
LM19805	SKID W/HARDWARE
LM23000	IDLER PULLEY
LM23261	SKID SHOE W/HARDWARE
LM23825	BLADE
LM24914	REAR INNER CHAIN PLATE RT
LM25748	RH SKID SHOE
LM25749	LH SKID SHOE
LM25800	FRONT CORNER SKID
LM25807	LAMINATED TIRE/WHEEL, 400 X 8
LM27048	REAR OUTER CHAIN PLT RT SINGLE
LM29344	V-BELT
LM310	BEARING CONE
LM31306KT	BLADE KIT (3 BLADES)
LM32602	PIN /BLADE
LM32603	KEYHOLE PLATE, SPECIAL
LM32606	SPECIAL BLADE PIN KIT
LM32606A	BOLT KIT
LM32608	BLADE PIN KIT
LM32616	BLADE PIN
LM3886	KEY
LM4141	RH SKID SHOE
LM4142	LH SKID SHOE
LM4622	BOLT
LM46606	SHIELD
LM46607	SHIELD
LM4676	LAMINATED TAILWHEEL, 4" X 8"
LM6273	SEAL
LM6323	BLADE
LM7428	LAMINATED TIRE/WHEEL W/TREAD, 4 HOLE
LM8820	CW BLADE
LM8825	CCW BLADE
LM90225	BLADE

PART NOT LISTED? CALL 800.543.6161 TODAY! LACAL HAS HUNDREDS OF ADDITIONAL PARTS AVAILABLE FOR ROTARY AND FLAIL MOWERS.

GET MORE INFORMATION: CALL 800.543.6161 • EMAIL SALES@LACAL.COM

ALL PARTS ARE GUARANTEED TO MEET WITH YOUR APPROVAL. Lecal Equipment is in no way implying that any of our products are original equipment parts. All original equipment manufacturer's names, drawings, colors and part numbers are used for identification purposes only.

This Is Just A Sample of Our Most Popular Parts • Additional Parts Available



LM067000001

LM6T1020TB5

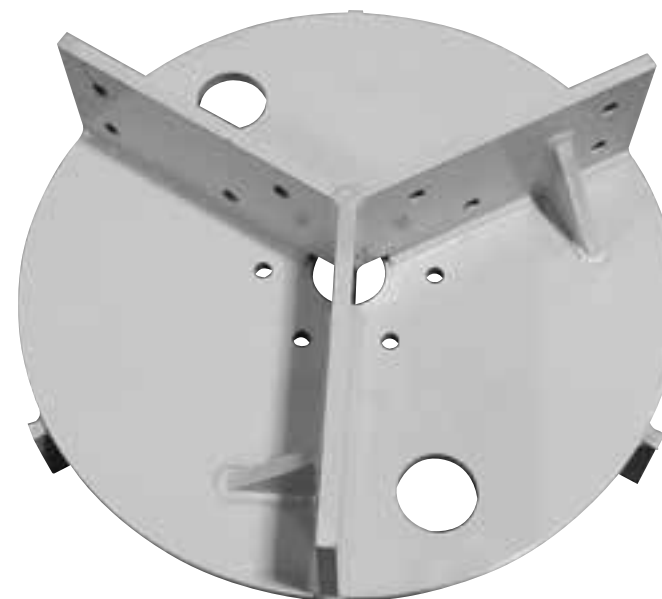
Mower Dish Pans

ALAMO/TERRAIN KING

LM02964804	BLADE PAN WITH SPIDER AND HARDWARE KIT
LM02964456	BLADE PAN WITH BLADES AND HARDWARE KIT

TIGER

LM06700001	BLADE MOUNT DISH WITH HARDWARE, 50"
LM06700002	BLADE DISH WITH HARDWARE, 60"
LM31325	LIGHTENED BLADE DISH WITH 5/8" HOLES, 60"
LM31326	BLADE DISH WITH 5/8" HOLES, 50"
LM31327	SIDE MOUNT BLADE DISH WITH 5/8" HOLES, 60"
LM3132712	BLADE DISH WITH 5/8" HOLES, 60", WITH 12 BLADE BOLT HOLES
LM33711	BLADE DISH WITH 5/8" HOLES, 50"
LM34512	BLADE DISH WITH 5/8" HOLES, 50"
LM34875	BLADE DISH, 50"
LM34876	BLADE DISH WITH HARDWARE, 60"
LM6T1020RD	BLADE DISH WITH 1/2" HOLES, 60"
LM6T1020RD5	SIDE MOUNT BLADE DISH WITH 5/8" HOLES, 60"
LM6T1020TB	BLADE DISH WITH 1/2" HOLES, 50"
LM6T1020TB5	BLADE DISH WITH 5/8" HOLES, 50"
LM6T7008	DITCHER DISC
LM6T7008R	DITCHER DISC (REVERSE)
LMTB1109	LIGHTENED BLADE PAN WITH 1/2" HOLES, 60"



LM6T7008

GET MORE INFORMATION: CALL 800.543.6161 • EMAIL SALES@LACAL.COM

ALL PARTS ARE GUARANTEED TO MEET WITH YOUR APPROVAL. Lecal Equipment is in no way implying that any of our products are original equipment parts. All original equipment manufacturer's names, drawings, colors and part numbers are used for identification purposes only.

This Is Just A Sample of Our Most Popular Parts • Additional Parts Available

Mower Blade ID Chart

A. Mower Brand Name

B. Part Number (may be stamped near bolt hole)

C. Overall Blade Length

D. Effective Length

E. Blade Width

F. Blade Thickness

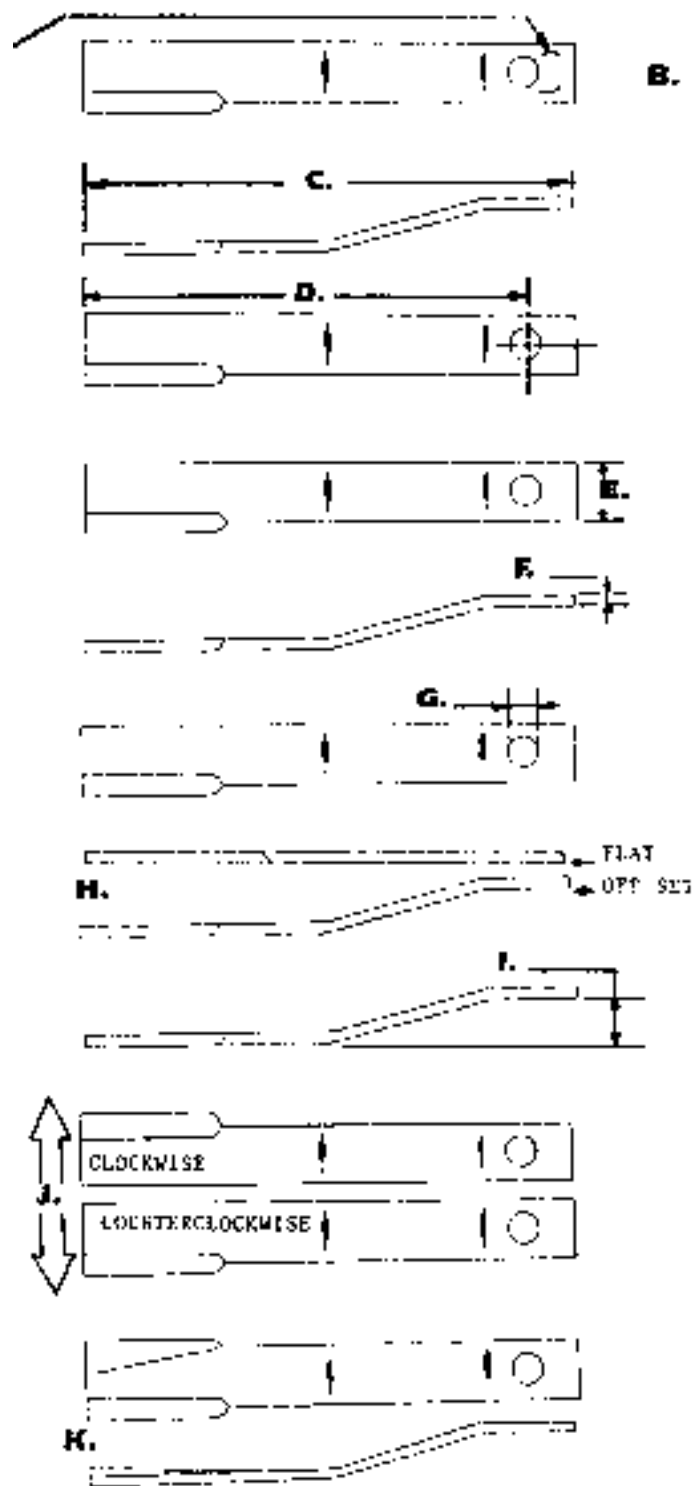
G Bolt Hole Diameter

H Flat or Offset

I Depth of Offset

J. Rotation Direction

K. Suction (shown) or Non-Suction



GET MORE INFORMATION: CALL 800.543.6161 • EMAIL SALES@LACAL.COM

ALL PARTS ARE GUARANTEED TO MEET WITH YOUR APPROVAL. Lacal Equipment is in no way implying that any of our products are original equipment parts. All original equipment manufacturer's names, drawings, colors and part numbers are used for identification purposes only.

This Is Just A Sample of Our Most Popular Parts • Additional Parts Available

Mower Replacement Tires

Please note that all tires sold by Lacal Equipment are for non-highway use only.

AIRCRAFT TIRES

**MADE STRONGER,
LASTS LONGER!**

Ground use aircraft tires are for non-highway use. These tires are heavy and not designed for high speeds for any duration. All serial numbers have been removed.

- Used and recapped aircraft tires are perfect for your mowing needs.
- Call today for the wide variety of sizes we offer.
- Choose air-filled or foam-filled.
- Tubes and rims are also available.



LAMINATED TIRES

**SOLID RUBBER
NO MORE FLATS!**

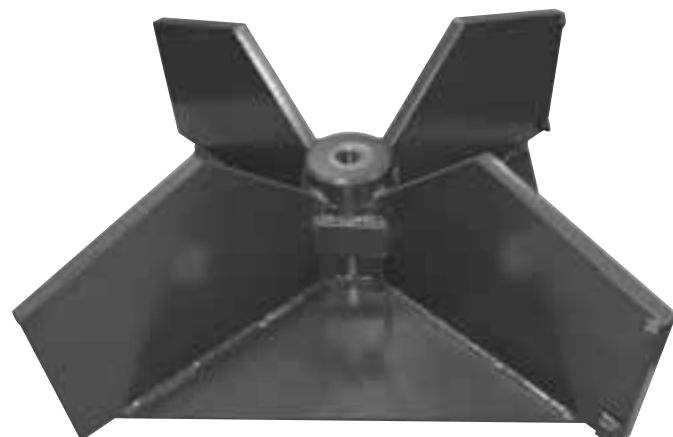


- 14" with 4-bolt mount
- 15" with 4-bolt mount
- 21" with 4-bolt mount and tread pattern
- 21" with 5-bolt mount and tread pattern
- 26" with 5-bolt mount and tread pattern

GET MORE INFORMATION: CALL 800.543.6161 • EMAIL SALES@LACAL.COM

ALL PARTS ARE GUARANTEED TO MEET WITH YOUR APPROVAL. Lacal Equipment is in no way implying that any of our products are original equipment parts. All original equipment manufacturer's names, drawings, colors and part numbers are used for identification purposes only.

This Is Just A Sample of Our Most Popular Parts • Additional Parts Available



LLC4021590



LLC4021532

AMERICAN ROADS

LLC0645G001	6-BLADE IMPELLER, 25"
LLCA2000348P51	SHAFT
LLCC008161148G3	LOWER HOSE BAND
LLCC8161148G1	LOWER BAND
LLCD8161057P1	LONG LINER
LLCD8161058P2	SHORT LINER
LLCFFB10	SHORT LINER
LLCLFB9	LONG LINER
LLCLFBA40	IMPELLER HOUSING
LLCLFMA26	HOUSING HAT
LLCLFMA26AA	OUTER HAT HOUSING WELDMENT
LLCLFMA26AB	HINGED CHUTE

GIANT VAC

LLC010011	BOLT, KEY, LOCK WASHER
LLC010024	THROTTLE CABLE
LLC020059	IMPELLER
LLC020069	LINER KIT FOR ELBOW
LLC020070	NOZZLE W/WELDED HANDLE, 18"
LLC020080	BLOWER HOUSING W/LINER KIT
LLC030023	FLEX METAL STEEL TUBE, 12" X 6-FT.
LLC10043L	LINER
LLC20158	NOZZLE, 18"
LLC20160	FLANGE
LLC203565	CLUTCH FACING PLATE
LLC21518	IMPELLER
LLC21519	IMPELLER, 29-1/2"
LLC21604	IMPELLER W/HARDWARE
LLC21610	IMPELLER
LLC3020144	INTAKE NOZZLE, 14"
LLC3021609	IMPELLER
LLC3034111	HOSE, 14" X 10 FT.
LLC31744	PULL DOWN LATCH, 2-PC.
LLC31778	FLIP LEVER ASSEMBLY

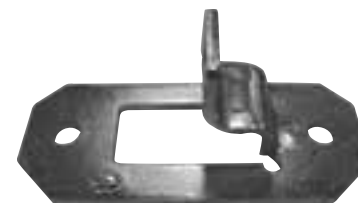
GIANT VAC

LLC34092	SUPPORT BAND, HOSE SPECIAL 16 X 4
LLC34093	DISCHARGE HOSE
LLC36274	SHEAVE, 4V
LLC36275	SHAFT BUSHING, 2-1/4"
LLC36276	BELT DRIVE IMPELLER SHAFT
LLC4010043	HOUSING
LLC4010179	HOUSING
LLC40106	BOOM, 6-FT.
LLC40136	FUEL CAP
LLC40159	LOWER BOOM
LLC4020156	INTAKE NOZZLE,
LLC4021517	IMPELLER, 19.75" O.D.
LLC4021519	IMPELLER, 29.50" O.D.
LLC4021532	STEEL IMPELLER, 4-BLADE, 31.50" O.D.
LLC4021552	IMPELLER, 4-BLADE, 29.50"
LLC4021577	IMPELLER
LLC4021590	STEEL IMPELLER, 4-BLADE, 31.50" O.D.
LLC4024624	STACK & ELBOW, 12-BOLT
LLC4031128	SQUARE KEY
LLC4031129	KEY
LLC4031447	KIT IMPELLER BOLT KEY
LLC4031513	IMPELLER KEY
LLC4031532	EXHAUST STACK GASKET SET
LLC4031599	IMPELLER PULLER
LLC4031697	PULLER IMPELLER BOLT
LLC4032009	REAR DOOR HINGE
LLC4033040	TRAILER SUPPORT WHEEL JACK
LLC4034006	HOSE, 8" X 10-FT.
LLC4034023	HOSE, 18" X 8 FT.
LLC4034024	HOSE CLAMP, S.S., 16" NOM.
LLC4034025	HOSE CLAMP, S.S., 17-1/8"-20" DIA.
LLC4034026	HOSE, DISC, METAL
LLC4034035	HOSE, 16" X 10-FT., BLUE
LLC4034063	INTERFLEX METAL HOSE, 12" X 10-FT.

GET MORE INFORMATION: CALL 800.543.6161 • EMAIL SALES@LACAL.COM

ALL PARTS ARE GUARANTEED TO MEET WITH YOUR APPROVAL. Lecal Equipment is in no way implying that any of our products are original equipment parts. All original equipment manufacturer's names, drawings, colors and part numbers are used for identification purposes only.

This Is Just A Sample of Our Most Popular Parts • Additional Parts Available



LLC19694X



LLC265126012



LLC19696X



LLC75021



LLC196939



LLC19695

GIANT VAC

LLC4034066	URETHANE HOSE, HD (.088) 12" X 6-FT.
LLC4034088	METAL HOSE, 12" X 7-FT.
LLC4034103	METAL HOSE, 12" X 8-FT.
LLC4036262	BEARING, 2.25, 4-BOLT FLANGE
LLC4039181	MAGNETIC SWITCH
LLC4040107	VERTICAL BOOM SUPPORT
LLC4061079	POWER UNIT
LLC4070832	WEAR LINER KIT W/HARDWARE
LLC4070978	HOUSING WEAR LINER KIT W/HARDWARE
LLC434510	CLUTCH & PTO ASSEMBLY W/SOLID PLATE
LLC518PH12	MAG BOX
LLC61156	REMOTE CONTROL
LLC70832G	LINING KIT
LLC70865	IMPELLER HOUSING LINER
LLCMP010013	IMPELLER HARDWARE KIT

PART NOT LISTED? LACAL EQUIPMENT HAS ADDITIONAL LEAF COLLECTOR PARTS AVAILABLE. CALL 800.543.6161 TODAY!

OLD DOMINION BRUSH

LLC10001410	CIRCUIT BREAKER, 10-AMP
LLC1500171	OIL PRESSURE SENDER
LLC196939	BUSHING
LLC19694X	SEAL PLATE
LLC19695	HANDLE CLIP
LLC19696X	HANDLE
LLC19697X	SEAL PIN
LLC200012	HITCH PIN, 5/8"
LLC200186	REAR DOOR WARNING DECAL
LLC211109	SET COLLAR, 1"
LLC21520	FAN WITH BACK PLATE, 30" X 10.5"
LLC265126012	RADIATOR GROMMET
LLC30292101	FRONT PANEL ASSEMBLY
LLC3041015	CIRCUIT BREAKER, 15-AMP
LLC3041030	CIRCUIT BREAKER, 30-AMP

OLD DOMINION BRUSH

LLC35423049	WATER TEMP SWITCH
LLC390112	THROTTLE CONNECTOR
LLC4000203	CIRCUIT BOARD
LLC4000205	CIRCUIT BOARD
LLC400050C1	BEARING
LLC40450018	RADIATOR SCREEN
LLC40452021	FRONT PANEL
LLC40452108	RH PANEL DOOR
LLC40452109	LH PANEL DOOR
LLC40452112F	SOLENOID COVER
LLC40452151F	RADIATOR BOLT BRACKET
LLC40452152	REAR ENGINE MOUNT
LLC40459500	RADIATOR
LLC4045T2102S	HOOD, SCL800, JD TURBO
LLC41500031	CLUTCH ADJUSTMENT DECAL
LLC41500072	PIVOT BALL
LLC41500103	ALIGNMENT TOOL
LLC41500164	ALIGNMENT TOOL
LLC48161312	CLEAR .06 WALL HOSE, 16" X 12-FT.
LLC48900006	CLUTCH DISC FOR 1-3/4" SPLINE
LLC52320009	WATER TEMP SENDER
LLC5501007	EXHAUST DUCT ADJUSTER PLATE
LLC5501007G	EXHAUST DUCT GASKET
LLC5501812	BOOM SWIVEL
LLC6002322	POWER CORD
LLC60702	EXHAUST ELBOW
LLC62538	HOUR METER
LLC62555	VOLT METER
LLC63524	TACHOMETER
LLC6502128	HINGE
LLC6502201	BLOWER HOUSING FACE
LLC651606	LIMIT SWITCH
LLC75021	KEEPER
LLC75022	ROD BRACKET

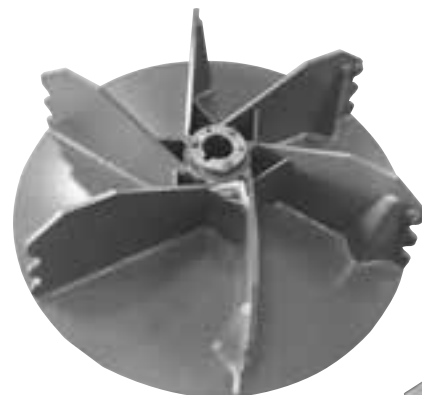
GET MORE INFORMATION: CALL 800.543.6161 • EMAIL SALES@LACAL.COM

ALL PARTS ARE GUARANTEED TO MEET WITH YOUR APPROVAL. Lecal Equipment is in no way implying that any of our products are original equipment parts. All original equipment manufacturer's names, drawings, colors and part numbers are used for identification purposes only.

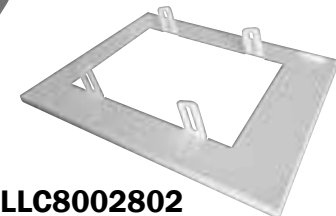
This Is Just A Sample of Our Most Popular Parts • Additional Parts Available



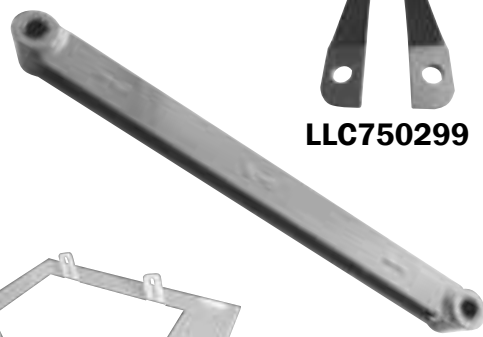
LLCLCT6166010S



LLCLCT6033



LLC8002802



LLC816813

LLC750299

OLD DOMINION BRUSH

LLC75023	ROD BRACKET BACK
LLC75025	LOCK ROD SPACER SLEEVE
LLC750299	LOCK DOWN BRACKET
LLC77001004	EXHAUST DUCT
LLC8001011	STANDARD CRADLE ARM
LLC8001012	CRADLE ARM, DOWN EXHAUST BOX
LLC8001901	HAT CHANNEL BRACKET
LLC8001902	FRONT PANEL
LLC8001902L	LH SIDE PANEL
LLC8001902R	RH SIDE PANEL
LLC8001903	CROSS BRACE
LLC8001904	SIDE STIFFENER
LLC8001905	REAR PANEL
LLC8001907	SCREEN RETAINER
LLC8002322	POWER CORD
LLC8002705A	BELT DRIVE SHAFT
LLC8002751	COVER PLATE
LLC8002801	EXHAUST DUCT, DIRECT DRIVE
LLC8002802	EXHAUST ADJ. FLANGE
LLC8002803	EXHAUST DUCT GASKET, DIRECT-DRIVE
LLC8003002	HYDRAULIC PARKING JACK ASSEMBLY
LLC8003005	HYDRAULIC PARKING JACK CYLINDER
LLC8003006	TOP CYLINDER PIN
LLC8003008	CAP WELDMENT
LLC8003010	JACK ASSEMBLY UPPER FRAME
LLC8003011	JACK ASSEMBLY LOWER FRAME
LLC8003028	CCW FAN, TIER 4, 30"
LLC8003402	FLEX PIPE, 4" X 24" LONG
LLC8003404	STEPPED SEAL CLAMP, 4" O.D.
LLC8003505	HYDRAULIC CYLINDER
LLC800425	MERCURY SWITCH ASSEMBLY
LLC800432	LIMIT SWITCH PLATE
LLC800433	LIMIT SWITCH
LLC8004606	BACK DOOR LIMIT SWITCH
LLC800702HA	SPROCKET, 18-TOOTH

OLD DOMINION BRUSH

LLC800703A	SPROCKET, 54-TOOTH
LLC816813	HOSE SUPPORT TUBE, 18"
LLC9576	IGNITION SWITCH
LLC9603273	OIL PRESSURE SWITCH
LLCAT35158	RADIATOR FAN
LLCE59M30C	PROXIMITY SWITCH
LLCH001251	AIR PRE-CLEANER, 6.5"
LLCLCB5009	DEBRIS BOX CONTAINER, 9-FT.
LLCLCB5009B	DEBRIS BOX CONTAINER DOOR
LLCLCB5009C	DEBRIS BOX CONTAINER GASKET STRAP
LLCLCT600038	IMPELLER
LLCLCT600033	CW LEAF FAN, 32"
LLCLCT600602	INNER BEARING PLATE
LLCLCT600615	BELT DRIVE SHAFT PROTECTOR
LLCLCT600BGIB	INBOARD BELT GUARD WELDMENT
LLCLCT600BGOB	OUTBOARD BELT GUARD WELDMENT
LLCLCT6033	CCW IMPELLER LEAF FAN, 32"
LLCLCT60624	LIFT AND TURN LATCH
LLCLCT60645	QUICK-RELEASE HOSE CLAMP
LLCLCT60652	SHAFT PROTECTOR, DIRECT-DRIVE
LLCLCT60702	GRADUAL 90-DEG. DUCT
LLCLCT609602	DRAW LATCH W/CATCH
LLCLCT611612SP	BELT GUARD COVER ASSEMBLY
LLCLCT616601	SUCTION NOZZLE, NEWER STYLE
LLCLCT616601120	SUCTION NOZZLE, 12" OLD STYLE
LLCLCT616601MA	NOZZLE, 45-DEG.
LLCLCT6166010S	SUCTION NOZZLE, OLD STYLE
LLCLCT616603U	HOSE CLAMP, 3/8" THICK HOSE
LLCLCT616603U18	HOSE CLAMP, 3/8" THICK HOSE, 18" DIA.
LLCLCT616604	INTAKE FLANGE
LLCLCT616616	BOLT-STYLE HOSE CLAMP
LLCLCT6166606A	BOOM ARM
LLCLCT620601	BLOWER HOUSING BACK
LLCLCT620602	LINER SET
LLCLCT620602A	BOLT-IN LINER

GET MORE INFORMATION: CALL 800.543.6161 • EMAIL SALES@LACAL.COM

ALL PARTS ARE GUARANTEED TO MEET WITH YOUR APPROVAL. Lecal Equipment is in no way implying that any of our products are original equipment parts. All original equipment manufacturer's names, drawings, colors and part numbers are used for identification purposes only.

This Is Just A Sample of Our Most Popular Parts • Additional Parts Available



LLCMP17744



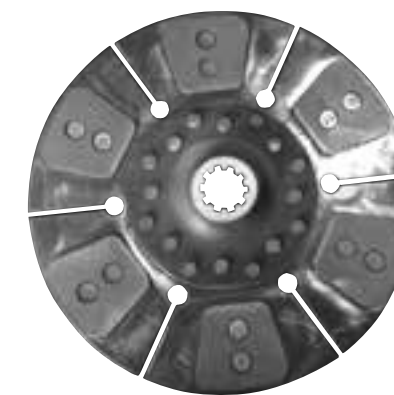
LLCLCT60652



LLCLCT690601



LLCLCT60624



LLCOD48900012

OLD DOMINION BRUSH

LLCLCT620604	STRAIGHT LINER
LLCLCT621590	SUPPORT BAR
LLCLCT621591	SUPPORT BAR BRACKET
LLCLCT621601FB	BLOWER HOUSING COVER
LLCLCT621603	INSPECTION DOOR HINGE
LLCLCT621610	DISCHARGE DUCT
LLCLCT621611	TRANSITION WELDMENT
LLCLCT623001A	THROTTLE CABLE, 10-FT.
LLCLCT623001B	THROTTLE CABLE, 6-FT.
LLCLCT630102	SHAFT PROTECTOR
LLCLCT630602	LINER SET
LLCLCT650	IMPELLER SHAFT
LLCLCT6500	IMPELLER SHAFT
LLCLCT650114	RADIATOR SCREEN CLAMP
LLCLCT650601F	FLAT KEY (BELT DRIVE UNITS)
LLCLCT650601K	STEP DOWN KEY (DIRECT-DRIVE)
LLCLCT650602	BEARING
LLCLCT650602D	SPACER
LLCLCT650603	SHEAVE, 7-3/4" O.D.
LLCLCT65060311A	PULLEY, 11.35" O.D.
LLCLCT650606	POWER BAND
LLCLCT650611	SQUARE TO ROUND DUCT TRANSITION
LLCLCT650624	INTAKE ELBOW
LLCLCT690601	LIMIT SWITCH
LLCLCT8003028	CCW IMPELLER LEAF FAN, 30"
LLCLCT999	CHIPPER BOX GASKET W/16" HOLE
LLCMP05485	O-RING, INDUST, 3 X 3-1/8 X 1/16, 70
LLCMP06232	PLASTIC RESERVOIR, 3.5" X 15.7
LLCMP07993	UP/DOWN CONTROL BOX (ORANGE)
LLCMP08004	DC MOTOR, 12-VOLT
LLCMP08053	DC MOTOR, 12-VOLT
LLCMP08711	END CAP BRUSH ASSEMBLY
LLCMP17744	HD SOLENOID SWITCH
LLCMP19283D	BOOM PUMP SOLENOID

OLD DOMINION BRUSH

LLCMP3219S	COMPLETE PUMP ASSEMBLY
LLCMPCS15012	BOOM CYLINDER
LLCMPM259	HYDRAULIC PUMP ASSEMBLY
LLCOD41500001	PIVOT BALL
LLCOD41500019	ROD END LINKAGE
LLCOD41500030	ROCKER BALL
LLCOD41500063	CLUTCH FORK
LLCOD41500065	LINKAGE ROD, 3/8-24 X 4-1/4
LLCOD41500066	LINKAGE ROD, 3/8-24 X 3
LLCOD41500125	REAR PTO BEARING
LLCOD41500172	CLUTCH COVER FOR 1-1/2" SHAFT
LLCOD41500174	CLIP SPRING IN FORK
LLCOD41500194	PTO ASSEMBLY FOR 1-3/8" SHAFT
LLCOD41500206	REAR PTO BEARING
LLCOD41500207	FRONT PTO BEARING
LLCOD41500209	PRESSURE PLATE, 16 SPRING, 1-1/2" SPLINE
LLCOD41500217	PILOT BEARING
LLCOD41500243	COMPLETE PTO ASSEMBLY, 1-3/4" SHAFT
LLCOD41500251	CLUTCH FORK
LLCOD41500252	COMPLETE PTO ASSEMBLY, 1-1/2" SHAFT
LLCOD41500265	THROW OUT BEARING
LLCOD48080154	CLUTCH ASSEMBLY
LLCOD48080165	CLUTCH KIT, 1-3/4" SPLINE SHAFT
LLCOD48900008	SMALL THROW OUT BEARING
LLCOD48900012	CLUTCH DISC FOR 1-1/2" SPLINE
LLCODLCT690601A	LIMIT SWITCH
LLCP003951	CLAMP
LLCP020227	BOWL
LLCP020648	BOWL COVER
LLCP102805	DUST CAP
LLCP102980	RUBBER BAFFLE
LLCP103113	DUST CAP
LLCP181054	FILTER ELEMENT
LLCRAS101	CHAFF ELIMINATOR FAN
LLCRAS111	CHAFF ELIMINATOR DEFLECTOR

GET MORE INFORMATION: CALL 800.543.6161 • EMAIL SALES@LACAL.COM

ALL PARTS ARE GUARANTEED TO MEET WITH YOUR APPROVAL. Lecal Equipment is in no way implying that any of our products are original equipment parts. All original equipment manufacturer's names, drawings, colors and part numbers are used for identification purposes only.

This Is Just A Sample of Our Most Popular Parts • Additional Parts Available



OLD DOMINION BRUSH

LLCRE503242	FUEL INJECTION PUMP TEMP SWITCH
LLCSCL5CT1214	SIGHT GAUGE
LLCSCL620601	BLOWER HOUSING BACK
LLCSCL621602	INSPECTION DOOR
LLCSCL6701	PIN
LLCSCL6702	STOP PIN HANDLE ASSEMBLY
LLCSCL6703	COMPRESSION SPRING
LLCSCL6704	HANDLE ROD
LLCSCL6705	HAND GRIP (BLACK)
LLCSCL800015	BODY PROP
LLCSCL800027A	RH DOOR (PASSENGER SIDE)
LLCSCL800027B	LH DOOR (DRIVER SIDE)
LLCSCL800028	HINGE
LLCSCL800029	HOOD SCOOP COMPLETE ASSEMBLY
LLCSCL800030	DOOR SEAL RUBBER
LLCSCL800034	DOOR SEAL BRACKET
LLCSCL800201	SEAL PLATE (DIRECT DRIVE ONLY)
LLCSCL800202	RUBBER SEAL
LLCSCL8002803A	EXHAUST DUCT LONG GASKET
LLCSCL800622	TONGUE, 12-FT.
LLCSCL800623	PINTLE EYE ASSEMBLY
LLCSCL800624F	STOP FOOT
LLCSCL800811	DEFLECTOR RUBBER
LLCSCL800827	TONGUE HOSE CLAMP ASSEMBLY
LLCSCL800880	NOSE CONE LINER
LLCSCL800881	DEFLECTOR RUBBER RETAINER
LLCSCL805810	SCREEN
LLCSCL810820	OIL CAP, O-RING ASSEMBLY
LLCSCL816506	BUSHING
LLCSCL816506K	BUSHING KEY
LLCSCL816606A	BOOM MAST
LLCSCL816813A	BEARING HOUSING
LLCSCL821817	EXHAUST DUCT GASKET
LLCSCL821817BD	EXHAUST DUCT GASKET, BELT DRIVE
LLCSCL821818	EXHAUST ADJ. FLANGE, DIRECT-DRIVE

OLD DOMINION BRUSH

LLCSCL833604A	FUEL CAP & GAUGE
LLCSCL850606	POWER BAND
LLCSCL8750001AF	STOP PIN HANDLE BRACKET
LLCSCL875001A	INTAKE SWIVEL ELBOW
LLCSP111C002	TWIN DISC CLUTCH ASSEMBLY
LLCST40	STARTER SOLENOID
LLCSTD2005	CIRCUIT BOARD
LLCSTD2320A	UP/DOWN SWITCH ASSEMBLY
LLCSTD2321C	WIRING HARNESS W/PUSH BUTTONS
LLCSTD2702	CLAMP
LLCSTD2919	CPC PLUG, 9-PIN
LLCSTD4204	JOYSTICK W/BLACK/YELLOW BUTTONS
LLCSTD6304	WIRING PLUG BRACKET
LLCSTD6306	THROTTLE DECAL
LLCSTD6307	CONTROL PANEL DECAL SET
LLCSTD6309	LATCH HOOK
LLCSTD6556	CLUTCH ACTUATOR
LLCSTRO1	SINGLE TRIGGER
LLCTCC1104	HYDRAULIC FILTER ASSEMBLY
LLCUUP007191	MUFFLER SUPPORT BAND

PART NOT LISTED? LACAL EQUIPMENT HAS MANY ADDITIONAL LEAF COLLECTOR PARTS AVAILABLE FOR THIS BRAND AND OTHERS. CALL 800.543.6161 TODAY!

TARRANT

LLC106897	IMPELLER SHAFT KEY
LLC114591	LINER, 2 PCS, .125" THICK
LLC228821B	CCW FAN, 36", 1/4" BLADES
LLC228821D	CW FAN, 36", 1/4" BLADES
LLC228821DCCW	CCW FAN, 36", 3/8" BLADES
LLC228828B	CCW FAN, 36", 3/8" BLADES
LLC228828C	CCW FAN, 33", 2-3/16, 3/8" BLADES
LLC6000215	IMPELLER BUSHING
LLC600023	BUSHING, R2 X2-15/16
LLCA22590	FAN, 6-BLADE, 31"

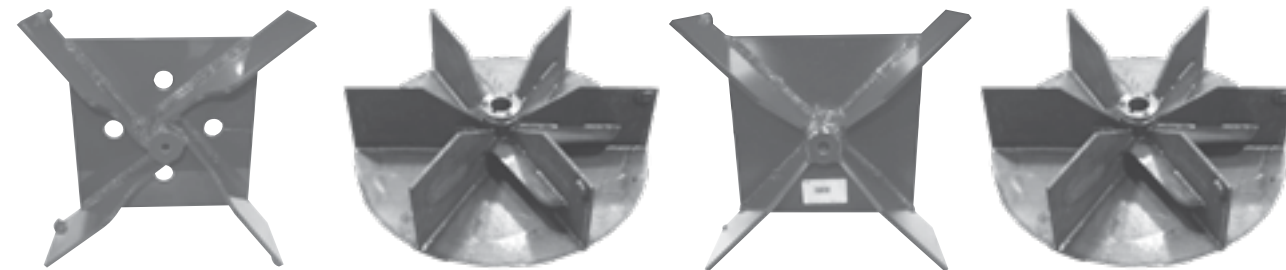
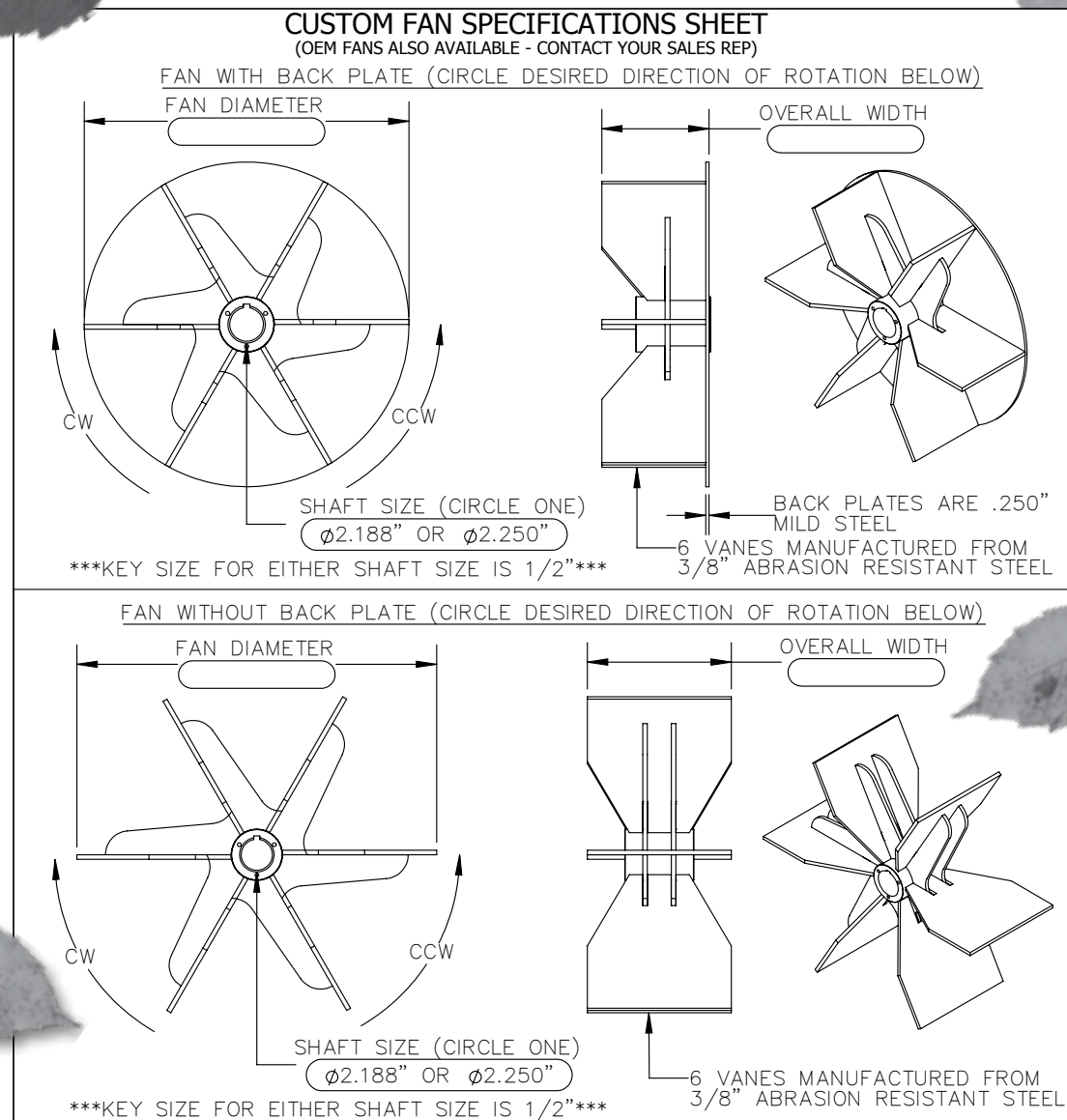
GET MORE INFORMATION: CALL 800.543.6161 • EMAIL SALES@LACAL.COM

ALL PARTS ARE GUARANTEED TO MEET WITH YOUR APPROVAL. LACAL Equipment is in no way implying that any of our products are original equipment parts. All original equipment manufacturer's names, drawings, colors and part numbers are used for identification purposes only.

This Is Just A Sample of Our Most Popular Parts • Additional Parts Available

Custom Leaf Impeller Fans

Built to Fit Your Specifications



GET MORE INFORMATION: CALL 800.543.6161 • EMAIL SALES@LACAL.COM

ALL PARTS ARE GUARANTEED TO MEET WITH YOUR APPROVAL. LACAL Equipment is in no way implying that any of our products are original equipment parts. All original equipment manufacturer's names, drawings, colors and part numbers are used for identification purposes only.

This Is Just A Sample of Our Most Popular Parts • Additional Parts Available

Heavy Duty Rubber Hose

- ✓ Multi-ply high-tensile woven polyester fabric body with spring steel wire helix
- ✓ Abrasion-resistant rubber inner liner
- ✓ Black abrasion-resistant Neoprene outer layer
- ✓ Extremely flexible
- ✓ Corrugated interior and exterior
- ✓ End cuffs approximately 3" long and .375" (3/8") thick
- ✓ Side walls approximately .1875" (3/16") thick



Available Diameters:

8-inch	12-inch	18-inch
10-inch	16-inch	

GET MORE INFORMATION: CALL 800.543.6161 • EMAIL SALES@LACAL.COM

ALL PARTS ARE GUARANTEED TO MEET WITH YOUR APPROVAL. Lecal Equipment is in no way implying that any of our products are original equipment parts. All original equipment manufacturer's names, drawings, colors and part numbers are used for identification purposes only.

This Is Just A Sample of Our Most Popular Parts • Additional Parts Available

Thermoplastic Polyurethane Hose

Reinforced with Spring Steel Wire for Increased Pressure and Vacuum Resistance

- ✓ Superior abrasion-resistance
- ✓ Clear walls allow easy visualization of blockages
- ✓ Smooth interior for optimized material flow
- ✓ Side walls approximately .060" thick
- ✓ Excellent for both lawn and leaf collection



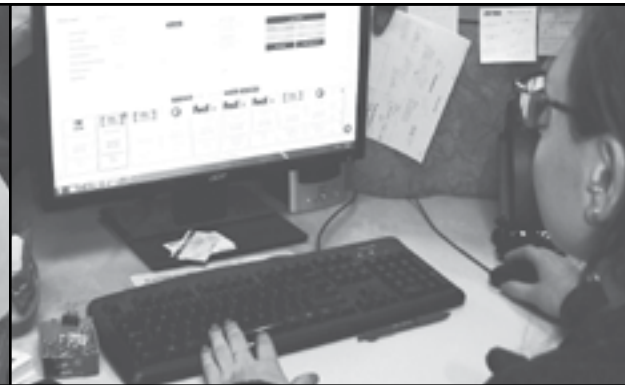
Available Diameters:

6-inch	10-inch	16-inch
7-inch	12-inch	18-inch
8-inch	14-inch	

GET MORE INFORMATION: CALL 800.543.6161 • EMAIL SALES@LACAL.COM

ALL PARTS ARE GUARANTEED TO MEET WITH YOUR APPROVAL. Lecal Equipment is in no way implying that any of our products are original equipment parts. All original equipment manufacturer's names, drawings, colors and part numbers are used for identification purposes only.

This Is Just A Sample of Our Most Popular Parts • Additional Parts Available



At Lecal Equipment, we take the task of meeting your needs seriously.

From instantly reaching to a live person on the phone to receiving shipments in a timely manner, you'll immediately notice that Lecal is different.

Everything we do is done with integrity and pride. We use the best materials and the finest craftsmanship in each Lecal Equipment product.

We stand behind our work. All Lecal parts are guaranteed to meet your approval. We have been around for over 35 years – and we are looking forward to working with YOU.

GET MORE INFORMATION: CALL 800.543.6161 • EMAIL SALES@LACAL.COM

ALL PARTS ARE GUARANTEED TO MEET WITH YOUR APPROVAL. Lecal Equipment is in no way implying that any of our products are original equipment parts. All original equipment manufacturer's names, drawings, colors and part numbers are used for identification purposes only.

OUR PROMISE TO OUR CUSTOMERS

- ▶ Customer satisfaction is 100% in every order.
- ▶ Each and every phone call will connect you to a live person for your assistance.
- ▶ Our staff will generously add their hundreds of years of knowledge and experience in both manufacturing and service to each and every order.
- ▶ Parts not made directly in our own shop will be produced only by carefully selected, high-quality vendors.
- ▶ Our cost-effective, small-town location will not only offer an economical advantage to you, but will also enrich our community, our state and our country.
- ▶ You are the benefactor of a very comprehensive replacement parts inventory.
- ▶ We have built our business on honesty and integrity, and we remain dedicated to our customer's needs and satisfaction.



WE STOCK OVER
17,000
REPLACEMENT
PARTS

Lecal Equipment, Inc. is a both manufacturer and distributor of quality replacement parts for road and highway maintenance equipment used daily by cities, counties, states and individual contractors across the USA. In addition to our large inventory, Lecal has access to almost all of the replacement parts used for highway maintenance equipment.

Our plant is equipped with a full complement of machine tools, enabling us to manufacture a wide variety of standard and special order parts. Lecal has its own welding shop and powder coat paint room, as well as an assembly area to allow us to offer our customers their choice of purchasing either individual parts or full, complete assemblies. We slit, punch, and cut to length rubber 1/16" to 5/8" thick. Using thousands of jigs, fixtures, gauges, tools and molds, Lecal produces top-quality parts. Our quality control program insures that premium specifications and standards are maintained.

When you need replacement parts, call Lecal immediately at 1.800.543.6161 for price and availability. We welcome the opportunity to bid on annual parts contracts as well as assist you with those emergency "unit down" immediate needs.

All original equipment manufacturer's names, drawings, colors, and part numbers are used for identification purposes only, and we are in no way implying that any of our products are original equipment parts. All parts are guaranteed to meet with your approval.